



**Your source for Austin Healey
Parts, Service and Restorations.**

BIG HEALEY CATALOGUE

100, 100/6, 3000

April 2011
Second Edition

Additional Information

Pricing Disclaimer

The included price list is current at the time of printing but please note that prices are liable to change without notice due to fluctuations in shipping costs and exchange rates. You may also contact us directly via email or telephone for pricing. For a current price list, please refer to our online ordering system at www.autofarm.net.

Copyright 2011

All catalogue and website design, text and graphics are Copyright 2011 by Autofarm Ltd, all rights reserved. Any materials within this catalogue or our website may only be viewed and may not be copied, modified or distributed in any way without the express permission of Autofarm Ltd.

Payment

We accept Visa and Mastercard, cheques and cash.

Shipping

We can offer different modes of shipping depending on how quickly you'd like to receive your products. We can utilize the mail system or ship with a courier company.

Returns/Exchanges

Any parts that have been incorrectly supplied or are defective can be exchanged or refunded.

Parts that are being returned for any reason must not have been modified or used and must be returned within 30 days of the invoice date. These parts may also be subject to a 15% re-stocking fee. Any shipping costs to return these parts will be the responsibility of the customer. Absolutely no returns accepted on any electrical parts that have been installed.

Orders

Orders may be made by phone, fax, email, or via the online ordering system at www.autofarm.net

If you choose the online system, we will contact you directly regarding pricing and availability after your order has been received. At that point we will take your payment information as for your security, we cannot accept credit card payments online at this time.



Contact Us

Address: 6521 Line 66, RR#1
Monkton, Ontario
N0K 1P0
Canada

Telephone: 519-356-2427

Fax: 519-356-2228

Email: bob@autofarm.net

Website: www.autofarm.net

Our Team: Bob Yule – Owner
Levina Yule – Interiors
Hugh Verstoep – Technician
Amanda Yule – Administrative
Tom Yule – General Help
Leasa Skinner – General Help
Greg Skinner – Transportation



Introduction

Welcome to Autofarm Ltd's second edition of our printed catalogue! Our aim in putting together this catalogue is to provide our customers with an informative publication and a wide range of available top quality Healey parts to help with repairs or restorations. With this 2nd printing, we have eliminated the pricing to ease the updating of our printed catalogue. Please refer to the separate price list included with your catalogue for current pricing (subject to change). You may also contact us directly or view the pricing online at www.autofarm.net.

While this catalogue is current at the time of printing, due to additions of parts and supply availability, all contents are subject to change. For an up-to-date and a more comprehensive parts list, please view our online catalogue at www.autofarm.net. We are always adding new parts and working to offer our customers the most competitive pricing.

Many thanks to our suppliers in the UK, A-Head 4 Healeys, for supplying the illustrations for this catalogue.

Our History

Autofarm Ltd was launched in 1985 after founder and owner Bob Yule acquired his first Healey and continued a lifelong interest in British sports cars. This particular car arrived in several boxes with various assorted components and after experiencing firsthand the problems associated with sourcing parts and reliable suppliers, Bob saw an opportunity to help his fellow Healey enthusiasts by stocking a few parts. Thus, Autofarm Ltd was born and as they say, the rest is history.

Business became brisk and the parts department has grown by leaps and bounds since then. Autofarm Ltd now stocks more than 8000 parts that are ready for in-house use or shipping worldwide. The company has grown by sourcing parts of the best quality possible and selling them at a fair price. Parts are imported twice monthly from the UK and various other sources from around the world and made available for immediate shipping to meet our customers needs.

Combined with efficient, friendly service and advice, Autofarm Ltd is your Austin Healey destination for parts and service.



Index

Accessories	6	Gearbox - 4 Speed - Side Change	88
Badges	8	Gearbox - 4 Speed - Centre Change	92
Books	10	Grille	94
Bonnet	12	Tops & Tonneaus	96
Boot	14	Inner Body	102
Brakes	16	Instruments	110
Bumpers	24	Lighting	112
Cables	26	Mirrors	116
Carpets	28	Miscellaneous	118
Clutch	32	Outer Body Panels	120
Cooling & Heating	34	Overdrive	124
Dashboard & Fittings	38	Rear Axle	126
Door Fittings	42	Seats	130
Electrical – General	46	Side Screens	132
Electrical – Ignition	50	Steering	134
Electrical – Switches	54	Suspension – Front	138
Engine - 4 Cylinder	56	Suspension – Rear	142
Engine - 6 Cylinder	62	Trim Panels	146
Exhaust	72	Upholstery	150
Fasteners	76	Wheels	156
Fuel	78	Windscreens & Glass	158
Gearbox - 3 Speed	86	Wing Fittings	162

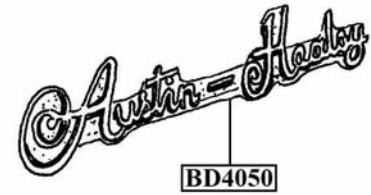
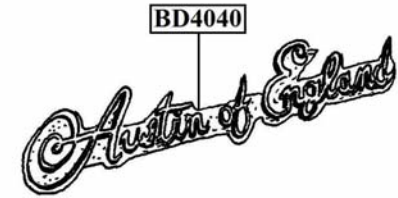
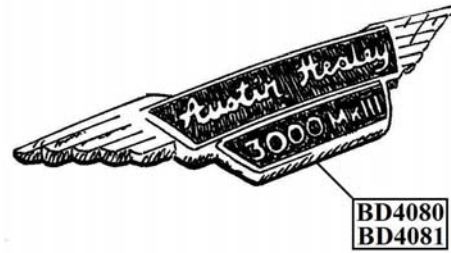
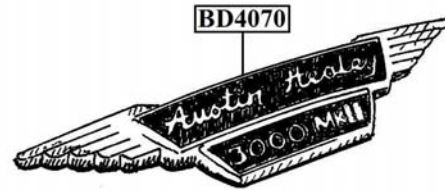
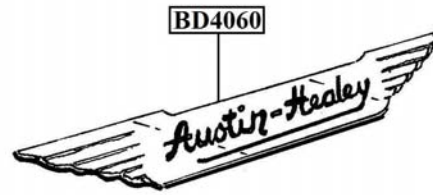
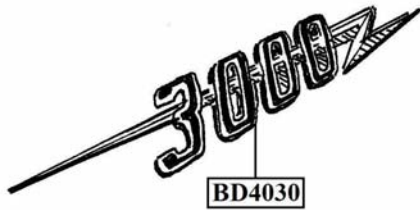
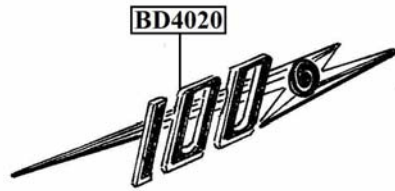
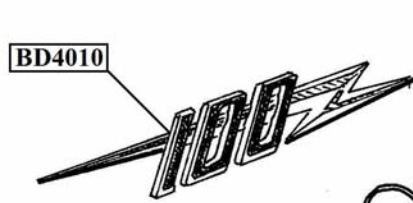




PART	DESCRIPTION	APP	AF	ALT	QPV	
AC4010	HEAD LAMP STONE GUARDS - PR	BN1-BJ8	ACC101	222-100	1	
AC4020	BADGE BAR - 4CYL	BN1-BN2	ACC105	870-125	1	
AC4021	BADGE BAR - 6CYL	BN4-BJ8	ACC106	870-130	1	
AC4022	BADGE BAR - 6CYL (NO LAMP MTGS)	BN4-BJ8	ACC108	.	1	
AC4023	BADGE BAR - 4 & 6 CYL (APRON MOUNTED)	BN1-BJ8	ACC109	.	1	
AC4030	AERO SCREEN - BROOKLANDS	BN1-BJ8	ACC110	224-100	2	
AC4035	WIND DEFLECTOR SET (PR)	ALL	.	.	1	
AC4040	UNION JACK BADGE - ENAMEL (SCREW FIT)	ALL	ACC115	229-308	As Req	
AC4050	UNION JACK BADGE - SELF ADHESIVE	ALL	ACC116	.	As Req	
AC4051	UNION JACK BADGE - ENAMEL (SELF ADH.)	ALL	ACC117	.	As Req	
AC4060	LAPEL BADGE	ALL	ACC118	.	As Req	
AC4080	OIL COOLER RADIATOR (13 ROW)	BN1-BJ8	ACC124	235-925	1	
AC4085	BRACKET - OIL COOLER (13 ROW) - 4 CYL.	BN1-BN2	.	.	1	
AC4086	BRACKET - OIL COOLER (13 ROW) - 6 CYL.	BN4-BJ8	.	.	1	
AC4090	FITTING KIT - OIL COOLER	BN1-BJ8	ACC126	.	1	
AC4091	ADAPTER - OIL COOLER (SPIN ON FILTER) & UNIONS	BN1-BJ8	CACC128	.	1	
AC4093	OIL THERMOSTAT - 1/2" SCREW FITTING	ALL	.	.	1	
AC4094	OIL THERMOSTAT - PUSH FITTING	BN1-BJ8	.	.	1	
AC4095	OIL COOLER KIT & SPIN OFF - (5/8"BORE)	BN4-BJ8	CACC127ZM	.	1	
AC4097	HOSE SET - OIL COOLER - BRAIDED STAINLESS	BN1-BJ8	.	.	1	
AC4103	CAR COVER - BREATHABLE (ELASTICATED)	BN1-BJ8	.	.	1	
AC4105	COVER - WING PROTECTOR - AH LOGO	ALL	.	.	1 OR 2	
AC4110	RUBBER FLOOR MATS - PR (HEALEY LOGO)	BN1-BJ8	ACC132	021-430	1	

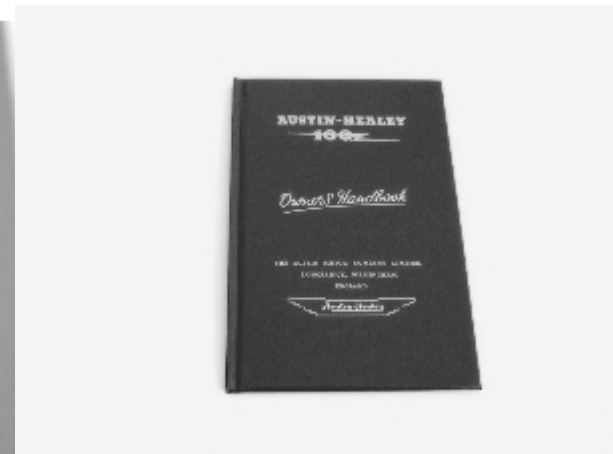
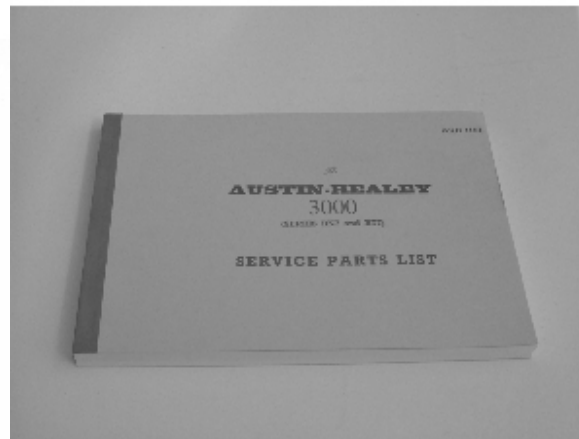
PART	DESCRIPTION	APP	AF	ALT	QPV	
AC4270	GEAR LEVER KNOB - WOOD	BN2-BJ8	ACC202	021-403	1	
AC4275	GEAR LEVER KNOB - WALNUT	BN2-BJ8	ACC202	021-403	1	
AC4280	KEY RING - HEALEY MOTOR CO.	ALL	ACC203	.	As Req	
AC4290	KENLOWE ELECTRIC FAN KIT - 10"	BN1-BN2	ACC204	.	1	
AC4291	KENLOWE ELECTRIC FAN KIT - 13"	BN4-BJ8	ACC205	.	1	
AC4292	KENLOWE ELECTRIC FAN KIT - HEAVY DUTY	BN4-BJ8	ACC206	.	1	
AC4300	SCREEN DEMISTER - CHROME - GEUINE LUCAS	ALL	.	.	2	
AC4324	INNER WHEEL ARCH COVER - ALUMINIUM (PR)	BN1-BJ8	.	.	1	





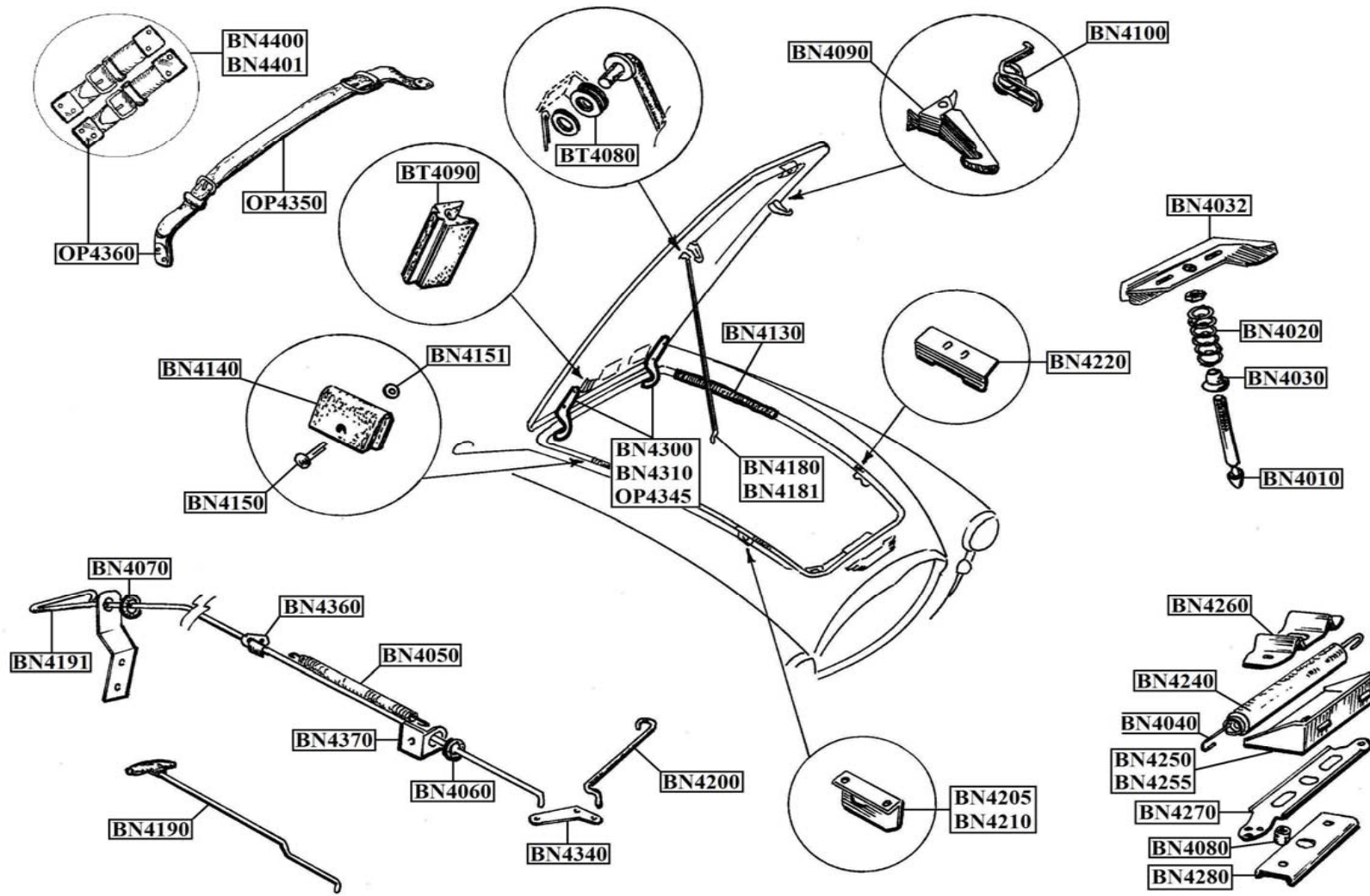
PART	DESCRIPTION	APP	AF	ALT	QPV	
BD4010	100 GRILLE BADGE	BN1-BN2	BAD101	021-737	1	
BD4020	100/6 GRILLE BADGE	BN4-BN6	BAD102	021-740	1	
BD4030	3000 BADGE	BT7-BJ8	BAD103	021-738	1 OR 2	
BD4040	AUSTIN OF ENGLAND BOOT BADGE	BN1 (EARLY)	BAD105	021-741	1	
BD4050	AH BOOT BADGE	BN1-BJ8	BAD104	021-731	1	
BD4060	AH SHROUD BADGE	BN1-BT7 (MK1)	BAD107	021-725	1	
BD4070	SHROUD BADGE - 3000 MKII	BT7(MK2)-BJ7	BAD108	601-280	1	
BD4080	SHROUD BADGE - 3000 MKIII (PAINTED)	BJ8	BAD109	.	1	
BD4081	SHROUD BADGE - 3000 MKIII (ENAMEL)	BJ8	BAD110	021-739	1	
BD4090	BADGE FIXING CLIP	BN1-BJ8	BAD115	326-665	As Req	
BD4100	BADGE FIXING CLIP (BOOT BADGE)	BN1-BJ8	BAD116	326-530	3	
BD4110	HEALEY WARWICK BADGE	BN1-BJ8	BAD120	408-460	1	
BD4130	BADGE CLIP - BADGE BAR FITTING	BN1-BJ8	BAD125	.	As Req	
BD4140	M EMBLEM	100M	BAD128	021-742	1	





PART	DESCRIPTION	APP	AF	ALT	QPV	
BK4010	WORKSHOP MANUAL - FACTORY 100/4	BN1-BN2	BOK101	021-379	As Req	
BK4020	WORKSHOP MANUAL - FACTORY 6 CYLINDER	BN4-BJ8	BOK102	021-376	As Req	
BK4030	PARTS LIST (PHOTO COPIED)	BN1-BN2	BOK104	.	As Req	
BK4040	PARTS LIST	BN7-BT7	BOK106	.	As Req	
BK4050	PARTS LIST	BJ7-BJ8	BOK107	.	As Req	
BK4060	DRIVER'S HANDBOOK	BN1-BN2	BOK110	212-650	As Req	
BK4061	DRIVER'S HANDBOOK	BN4-BN6	BOK111	212-660	As Req	
BK4062	DRIVER'S HANDBOOK	BT7-BJ7	BOK112	212-670	As Req	
BK4063	DRIVER'S HANDBOOK	BJ8	BOK113	212-680	As Req	
BK4080	SUPER PROFILE - 100	.	BOK128	.	As Req	
BK4090	100 & 100/6 GOLD PORTFOLIO	.	BOK130	213-240	As Req	
BK4100	AH 3000 - ULTIMATE PORTFOLIO	.	BOK132	.	As Req	
BK4120	HEALEY RESTORATION GUIDE	.	BOK143	.	As Req	
BK4130	AUSTIN HEALEY 100 & 3000 (GRAHAM ROBSON)	BN1-BJ8	BOK144	.	As Req	
BK4170	BIG HEALEYS IN COMPETITION	.	BOK150	.	As Req	
BK4180	CD ROM - PARTS LIST, MANUAL AND HANDBOOK	BN1-BN6	BOK160	.	As Req	
BK4181	CD ROM - PARTS LIST, MANUAL AND HANDBOOK	BT7-BJ8	BOK161	.	As Req	

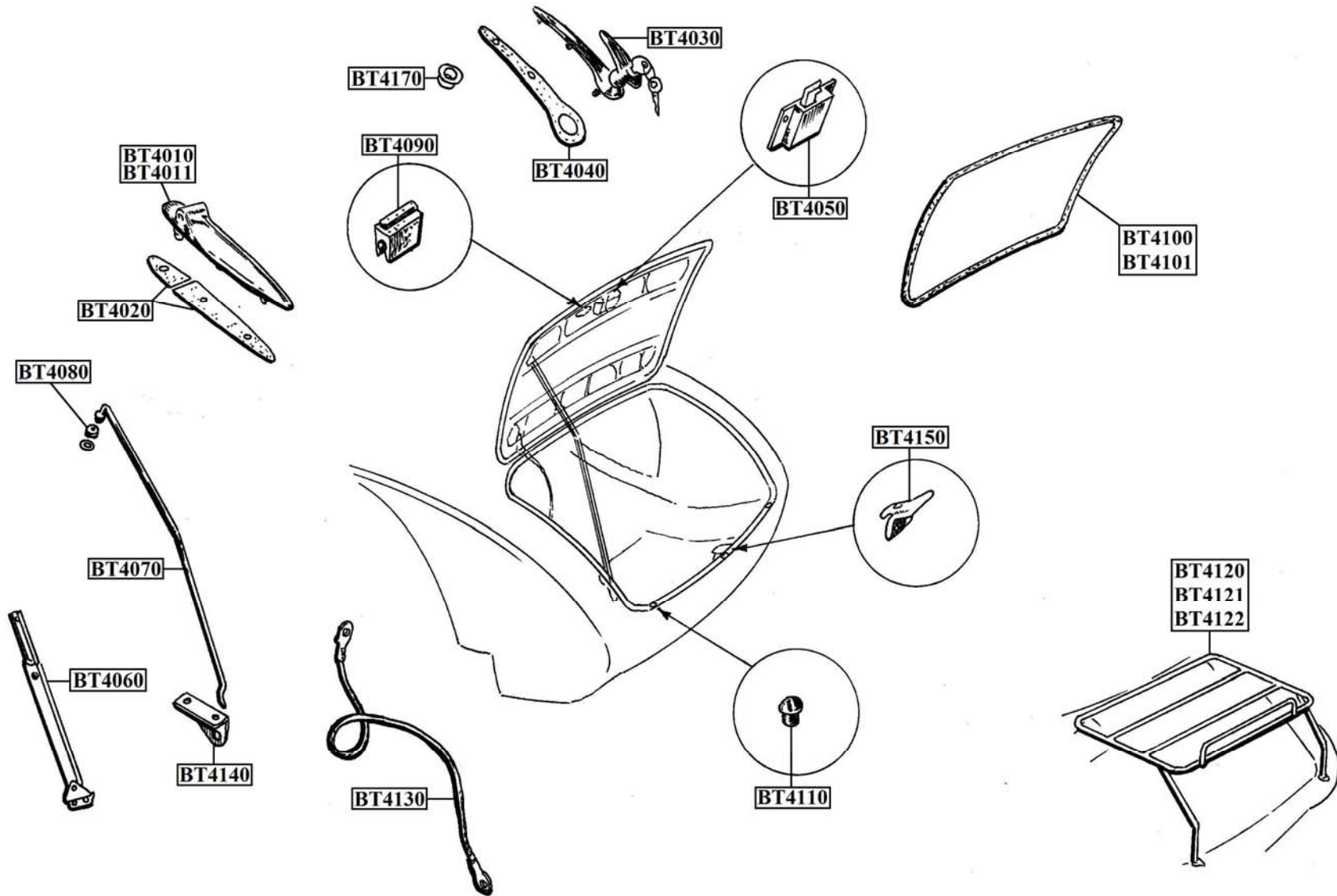




PART	DESCRIPTION	APP	AF	ALT	QPV	
BN4010	STRIKER PIN - BONNET CATCH	BN1-BJ8	BON101	470-620	1	
BN4020	STRIKER SPRING - BONNET CATCH	BN1-BJ8	BON102	329-280	1	
BN4030	SPRING CUP - BONNET CATCH STRKE	BN1-BJ8	BON103	470-610	1	
BN4032	BRACKET - BONNET STRIKER PIN	BN1-BJ8	.	.	1	
BN4040	TENSION SPRING - BONNET CATCH	BN1-BJ8	BON104	329-175	1	
BN4050	ANTIRATTLE SPRING - BONNET PULL	BN4-BJ8	BON105	329-265	1	
BN4060	ROD GROMMET - FRONT	BN4-BJ8	BON108	031-777	1	
BN4070	ROD GROMMET - REAR	BN4-BJ8	BON109	682-130	1	
BN4080	TUBE SLIDER	BN4-BJ8	BON111	470-715	2	
BN4090	SAFETY CATCH - COMPLETE	BN1-BJ8	BON115	470-640	1 OR 2	
BN4100	SPRING - SAFETY CATCH	BN1-BJ8	BON116	.	As Req	
BN4130	SEALING STRIP - BONNET	BN4-BJ8	BON125	682-180	1	
BN4140	SUPPORT RUBBER - BONNET	BN1-BJ8	BON126	031-359	4 OR 6	
BN4150	RIVET - SUPPORT RUBBER	BN1-BJ8	BON127	325-765	4 OR 6	
BN4151	WASHER - BUFFER RIVET	BN1-BJ8	BON128	.	4 OR 6	
BN4160	BONNET STRAPS - PAIR	ALL	CBON130	.	1	
BN4180	PROP ROD	BN1-BN2	BON134	804-550	1	
BN4181	PROP ROD	BN4-BJ8	BON135	804-560	1	
BN4190	RELEASE ROD ASSY - BONNET	BN1-BN2	.	.	1	
BN4191	RELEASE ROD	BN4-BJ8	BON137	805-255	1	
BN4200	RELEASE ROD - SHORT	BN4-BJ8	BON138	805-265	1	
BN4205	BRACKET - PROP ROD SUPPORT	BN1-BN2	.	.	1	
BN4210	BRACKET - PROP ROD SUPPORT	BN4-BJ8	BON140	805-475	1	
BN4220	BRACKET - STRIKER SAFETY CATCH	BN4-BJ8	BON141	805-485	2	
BN4240	COVER - TENSION SPRING	BN1-BJ8	BON143	805-485	1	

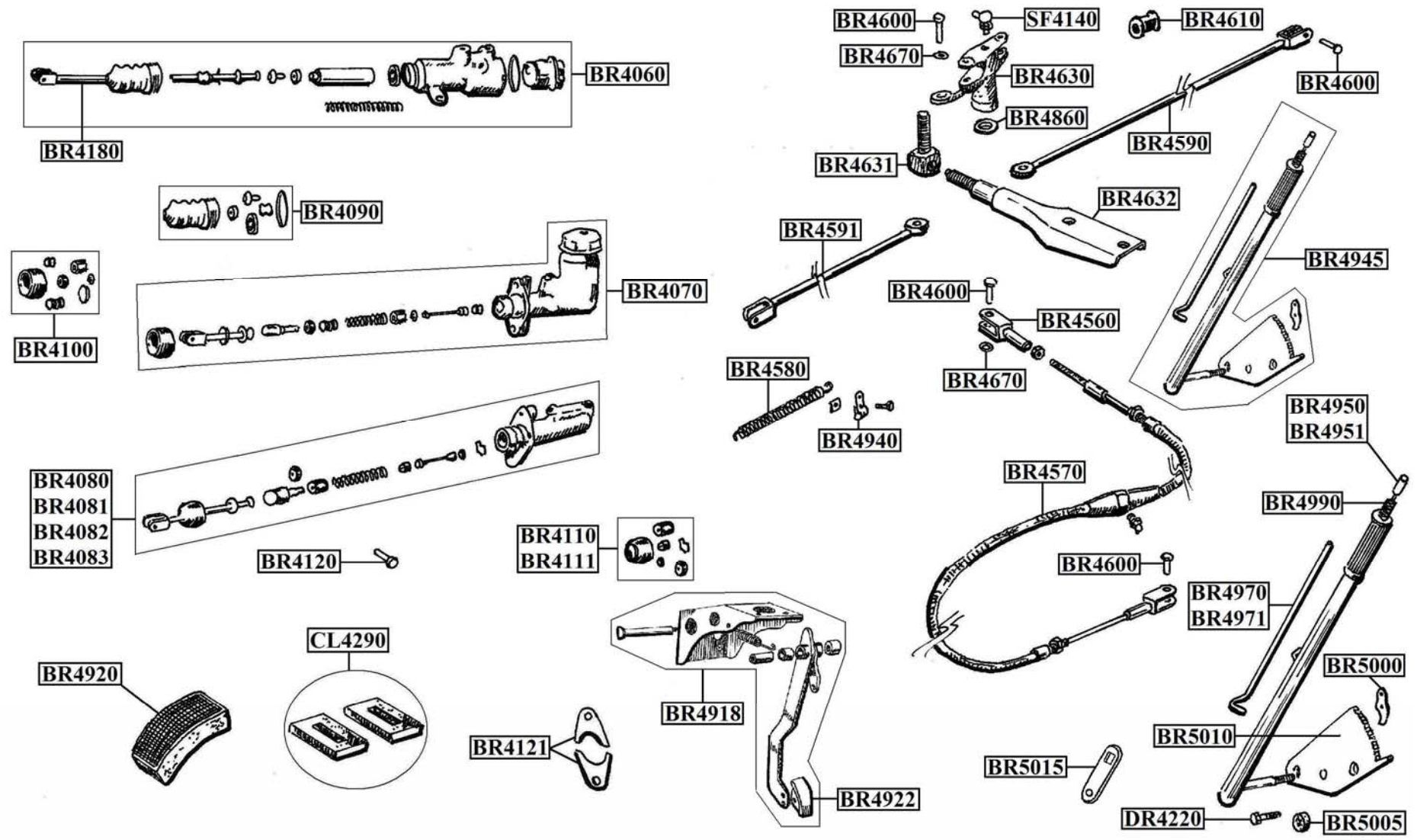
PART	DESCRIPTION	APP	AF	ALT	QPV	
BN4250	BRACKET - BONNET LOCK SUPPORT	BN4-BJ8	BON144	805-435	1	
BN4255	BRACKET - BONNET STRIKER	BN1-BN2	.	.	1	
BN4260	GUIDE PLATE - BONNET LOCK	BN4-BJ8	BON145	470-940	1	
BN4270	SLIDE PLATE - BONNET LOCK	BN4-BJ8	BON146	470-645	1	
BN4280	SUPPORT - SLIDE PLATE	BN4-BJ8	BON147	470-655	1	
BN4300	BONNET HINGE - RH	BN4-BJ8	BON150	031-314	1	
BN4310	BONNET HINGE - LH	BN4-BJ8	BON151	031-313	1	
BN4340	LEVER - BONNET RELEASE	BN4-BJ8	BON154	.	1	
BN4360	ANCHOR PLATE - ANTI RATTLE SPRING	BN4-BJ8	BON156	.	1	
BN4370	BRACKET - PULL ROD	BN4-BJ8	BON157	805-445	1	
BN4401	LEATHER STRAPS - SHORT (PR) HIGH QUALITY	AR	BON161	.	1	





PART	DESCRIPTION	APP	AF	ALT	QPV	
BT4010	BOOT HINGE - RH	BN1-BJ8	BOT101	802-450	1	
BT4011	BOOT HINGE - LH	BN1-BJ8	BOT102	802-440	1	
BT4020	BOOT HINGE GASKET - PER HINGE	BN1-BJ8	BOT103	698-015	2	
BT4030	BOOT LID HANDLE	BN1-BJ8	BOT105	031-325	1	
BT4040	BOOT LID HANDLE GASKET	BN1-BJ8	BOT106	805-257	1	
BT4050	LOCK - BOOT	BN1-BJ8	BOT107	031-326	1	
BT4060	TELESCOPIC PROP ROD	BN1-BN2	BOT110	804-530	1	
BT4070	PROP ROD	BN4-BJ8	BOT111	804-540	1	
BT4080	PIVOT GROMMET	BN4-BJ8	BOT112	682-200	1	
BT4090	RETAINING RUBBER - PROP ROD	BN4-BJ8	BOT113	282-350	2	
BT4100	SEALING RUBBER - BOOT LID	BN1-BN2	BOT115	682-020	1	
BT4101	SEALING RUBBER - BOOT LID	BN4-BJ8	BOT116	021-775	1	
BT4110	STOP RUBBER - BOOT LID	BN1-BJ8	BOT117	682-110	3	
BT4120	LUGGAGE RACK - STAINLESS STEEL	BN1-BN2	BOT119	.	1	
BT4121	LUGGAGE RACK - WORKS STYLE	BN4-BJ8	BOT120	644-730	1	
BT4122	LUGGAGE RACK - WORKS STYLE (CHROME)	BN4-BJ8	BOT120		1	
BT4130	CABLE - BOOT LID STOP	BN4-BJ8	BOT122	807-035	1	
BT4140	BRACKET - PROP ROD SUPPORT	BN4-BJ8	BOT124	804-925	1	
BT4150	STRIKER PLATE - BOOT LOCK	BN1-BJ8	BOT126	806-460	1	
BT4170	SPACER - BOOT HANDLE FIXING (NON-ORIG.)	BN1-BJ8	BOT128	.	2	

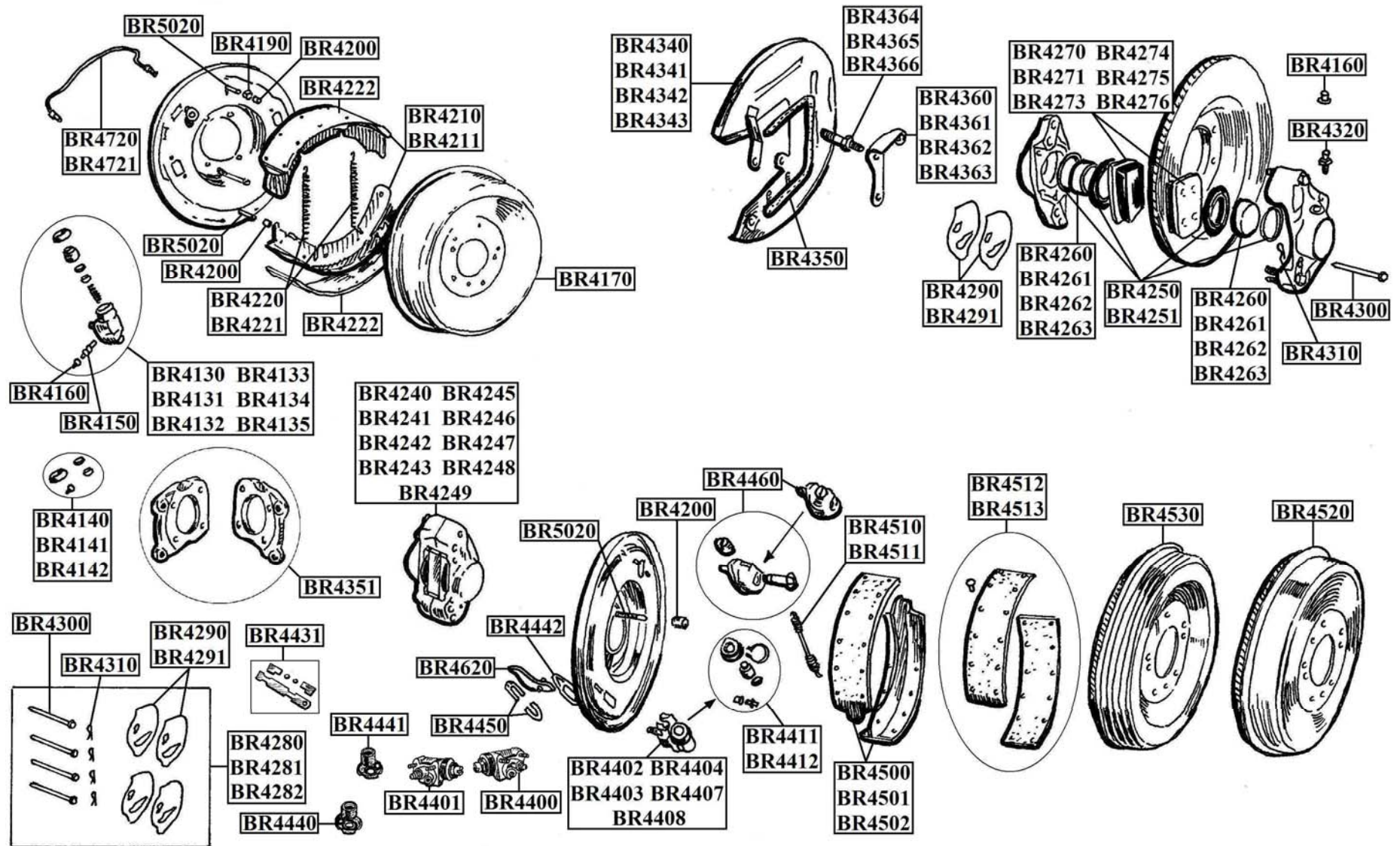




PART	DESCRIPTION	APP	AF	ALT	QPV	
BR4010	RESERVOIR - SINGLE SUPPLY	BN1-BN2	BRK101	582-975	1	
BR4011	RESERVOIR - DUAL SUPPLY	BN4.68960-BJ8	BRK102	582-980	1	
BR4012	BRAKE RESERVOIR - SINGLE (PLASTIC)	BN1-BN2	CBRK101		1	
BR4015	RESERVOIR - DUEL SUPPLY - ALUMINIUM	BN4.68960-BJ8			1	
BR4020	CAP - RESERVOIR	BN1-BJ8	BRK103	596-210	1	
BR4030	WASHER - RESERVOIR CAP	BN1-BJ8	BRK104	582-500	1	
BR4032	DECAL - GIRLING WARNING (RESERVOIR)	BN1-BJ8			1	
BR4040	STRAP - RESERVOIR	BN4.68960-BJ8	BRK105	582-985	1	
BR4050	BRACKET - RESERVOIR FIXING RHD	BN4.68960-BJ8	BRK106		1	
BR4051	BRACKET - RESERVOIR FIXING LHD	BN4.68960-BJ8	BRK106A	596-085	1	
BR4060	MASTER CYLINDER	BN1-BN2	BRK107	021-142	1	
BR4070	MASTER CYLINDER	BN4-BN4.48862	BRK108	513-326	1	
BR4080	MASTER CYLINDER	BN4.48863-BN6	BRK109	513-320	1	
BR4081	MASTER CYLINDER (W/O SERVO)	BN7&BT7-BJ7	BRK110	513-318	1	
BR4082	MASTER CYLINDER (WITH SERVO)	BN7&BT7-BJ8	BRK111	581-100	1	
BR4083	MASTER CYLINDER - DUAL BRAKES	BN4-BJ8	COM189		1	
BR4090	REPAIR KIT - MASTER CYLINDER	BN1-BN2	BRK112	513-067	1	
BR4100	REPAIR KIT - MASTER CYLINDER	BN4-BN6	BRK113	583-780	1	
BR4110	REPAIR KIT - MASTER CYLINDER (W/O SERVO)	BN7&BT7-BJ7	BRK114	180-990	1	
BR4111	REPAIR KIT - MASTER CYLINDER (WITH SERVO)	BN7&BT7-BJ8	BRK115	513-147	1	
BR4120	CLEVIS PIN - PEDAL TO M/CYL	BN6-BJ8	BRK117	325-035/140	2	
BR4121	PACKING PIECE - M/CYLS	BN4-BJ8	BRK118	021-488	4	
BR4130	WHEEL CYLINDER FRONT - RH	BN1-BN1.221403	BRK120	021-149	2	
BR4131	WHEEL CYLINDER FRONT - LH	BN1-BN1.221403	BRK121	021-146	2	
BR4132	WHEEL CYLINDER FRONT - RH	BN1.221404-BN2	BRK122	021-147	2	
BR4133	WHEEL CYLINDER FRONT - LH	BN1.221404-BN2	BRK123	021-144	2	
BR4134	WHEEL CYLINDER FRONT - RH (DISC)	BN4-BN6	BRK124	021-153	2	
BR4135	WHEEL CYLINDER FRONT - LH (DISC)	BN4-BN6	BRK125	021-152	2	
BR4140	REPAIR KIT - FRONT WHEEL CYLINDER	BN1-BN1.221403	BRK128	513-014	1	
BR4141	REPAIR KIT - FRONT WHEEL CYLINDER (GIRLING)	BN1.221404-BN2	BRK129	021-145	1	
BR4142	REPAIR KIT - FRONT WHEEL CYLINDER (DISC)	BN4-BN6	BRK130	513-113	1	

PART	DESCRIPTION	APP	AF	ALT	QPV	
BR4150	BLEED SCREW - FRONT WHEEL CYLINDER	BN1-BN6	BRK133	596-090	2	
BR4160	DUST CAP - BLEED SCREW	BN1-BN6	BRK134	031-300	2	
BR4170	BRAKE DRUM - FRONT (WIRE WHEEL)	BN2-BN4	BRK139	586-045	2	
BR4180	EXTENSION ROD - MASTER CYLINDER (LHD ONLY)	BN1-BN2	BRK142	021-479	1	
BR4190	NUT - STEADY POST	BN2-BN6	BRK145	848-540	4	
BR4200	FELT BUSH - STEADY POST	BN1-BN6	BRK146	582-870	4	
BR4210	BRAKE SHOES - FRONT (EXCHANGE)	BN1-BN1.228046	BRK147	519-025	1	
BR4211	BRAKE SHOES - FRONT	BN2-BN6	BRK148	021-165	1	
BR4220	SPRING - SHOE RETURN (DISC WHEEL)	BN1&BN6	BRK149	582-850	4	
BR4221	SPRING - SHOE RETURN (WIRE WHEEL)	BN2, BN4&BN6	BRK149A	582-860	4	
BR4222	LININGS & RIVETS - FRONT (CAR SET)	BN1.228046	BRK150	585-260	1	
BR4230	DISC - BRAKE	BN7&BT7-BJ8.26704	BRK151	021-170	2	
BR4231	DISC - BRAKE	BJ8.26705 ON	BRK152	021-171	2	
BR4232	TURBO BRAKE DISCS - PAIR (WITH KEVLAR PADS)	TYPE 14	COM168		1	
BR4233	TURBO BRAKE DISCS - PAIR (WITH KEVLAR PADS)	TYPE 16	COM169		1	
BR4240	CALIPER ASSY - RH	BN7&BT7-BJ8.26704	BRK153	021-155	1	
BR4242	CALIPER ASSY - LH	BN7&BT7-BJ8.26704	BRK154	021-154	1	
BR4243	CALIPER ASSY - LH (RECON - EXCHANGE)	BN7&BT7-BJ8.26704	BRK154R		1	
BR4245	CALIPER ASSY - RH (RECON - EXCHANGE)	BJ8.26705 ON	BRK155R		1	
BR4246	CALIPER ASSY - LH (RECON - EXCHANGE)	BJ8.26705 ON	BRK156R		1	
BR4247	COMPETITION CALIPERS - RECOND (PR) USE BJ8 PADS	BN1-BJ8.26704	COM184		1	
BR4248	CALIPER ASSY - RH - NEW	TYPE 16			1	
BR4249	CALIPER ASSY - LH - NEW	TYPE 16			1	
BR4250	REPAIR KIT - CALIPER ASSY	BN7&BT7-BJ8.26704	BRK157	513-212	1	
BR4251	REPAIR KIT - CALIPER ASSY	BJ8.26705 ON	BRK158	583-000	1	
BR4260	PISTON - CALIPER	BN7&BT7-BJ8.26704	BRK159	021-163	4	
BR4261	PISTON - CALIPER (STAINLESS STEEL)	BN7&BT7-BJ8.26704	BRK160	021-176	4	
BR4262	PISTON - CALIPER	BJ8.26705 ON	BRK161	582-000	4	
BR4263	PISTON - CALIPER (STAINLESS STEEL)	BJ8.26705 ON	BRK162	582-095	4	
BR4270	PAD SET - CALIPER	BN7&BT7-BJ8.26704	BRK163	517-007	1	
BR4271	PAD SET - CALIPER	BJ8.26705 ON	BRK164	585-520	1	

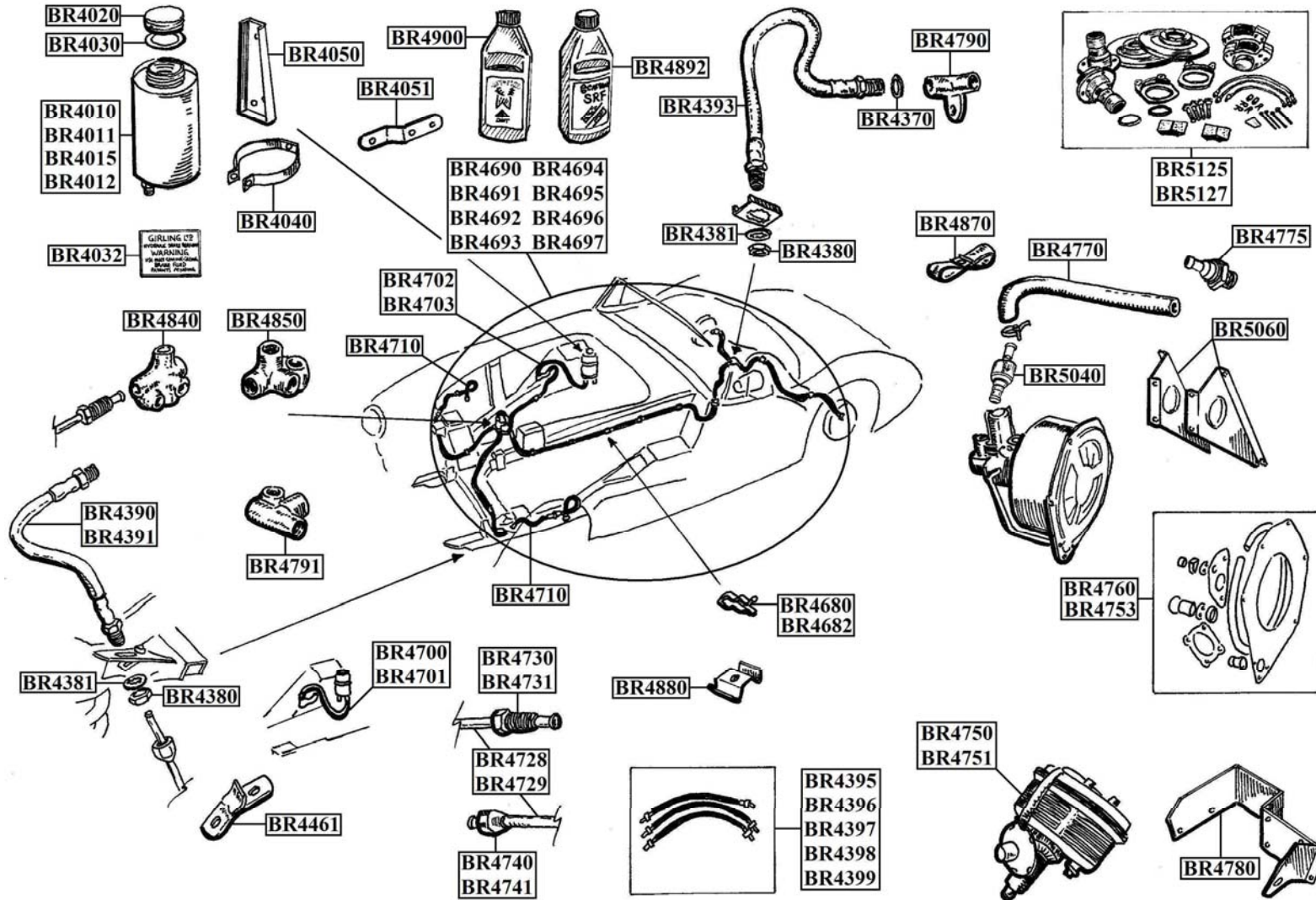




PART	DESCRIPTION	APP	AF	ALT	QPV
BR4273	KEVLAR BRK PADS - ROAD & RACE CALIPERS	TYPE 14	COM164	.	1
BR4274	KEVLAR BRK PADS - ROAD & RACE CALIPERS	TYPE 16	COM166	.	1
BR4275	KEVLAR BRK PADS - FULL RACE CALIPERS	TYPE 16	COM167	.	1
BR4276	FERODO RACING PADS	TYPE 16	.	.	1
BR4280	KIT - ANTI SQUEAL	BN7&BT7-BJ8.26704	BRK165	582-908	1
BR4281	KIT - ANTI SQUEAL	BJ8.26705 ON	BRK166	583-808	1
BR4282	KIT-ANTI SQUEAL + PINS & CLIPS (USE W/ BR4247)	TYPE 14	.	.	1
BR4290	SHIM - ANTI SQUEAL	BN7&BT7-BJ8.26704	BRK166A	582-900	4
BR4291	SHIM - ANTI SQUEAL	BJ8.26705 ON	BRK167	582-910	4
BR4300	PIN - PAD RETAINING	BN7-BJ8	BRK168	582-020	4
BR4310	CLIP - RETAINING PIN	BN7-BJ8	BRK169	582-890	4
BR4320	BLEED SCREW - CALIPER	BN7-BJ8	BRK170	582-050	2
BR4340	DUST SHIELD - BRAKE DISC RH	BN7&BT7-BJ8.26704	BRK172	586-060	1
BR4341	DUST SHIELD - BRAKE DISC LH	BN7&BT7-BJ8.26704	BRK173	586-050	1
BR4342	DUST SHIELD - BRAKE DISC RH	BJ8.26705 ON	BRK175	517-020	1
BR4343	DUST SHIELD - BRAKE DISC LH	BJ8.26705 ON	BRK176	586-080	1
BR4350	RUBBER SEAL - DUST SHIELD	BN7&BT7-BJ8.26704	BRK174	517-020	2
BR4351	BRACKET KIT - CALIPER MOUNTING	AR	BRK180	586-070	1
BR4360	CALIPER BRACKET - BRAKE PIPE RH	BN7&BT7-BJ8.26704	BRK183	586-035	1
BR4361	CALIPER BRACKET - BRAKE PIPE LH	BN7&BT7-BJ8.26704	BRK184	586-055	1
BR4362	CALIPER BRACKET - BRAKE PIPE RH	BJ8.26705 ON	BRK185	586-075	1
BR4363	CALIPER BRACKET - BRAKE PIPE LH	BJ8.26705 ON	BRK186	586-065	1
BR4364	BOLT - CALIPER RETAINING	BT7-BJ8.26704	BRK181	582-525	4
BR4365	BOLT - CALIPER RETAINING	BJ8.26705 ON	BRK182	582-535	4
BR4366	BOLT - CALIPER RETAINING - (USE W/ BR4247)	BN1-BJ8	.	.	4 As Req
BR4370	COPPER WASHER - BRAKE HOSE	BN1-BJ8	BRK187	324-730	4
BR4380	NUT - HOSE RETAINING	BN1-BJ8	BRK188	310-070	4
BR4381	WASHER - SHAKEPROOF	BN1-BJ8	BRK189	324-045	4
BR4390	BRAKE HOSE - FRONT	BN1-BN6	BRK190	584-070	2
BR4391	BRAKE HOSE - FRONT	BN7&BT7-BJ8	BRK191	021-162	2
BR4393	BRAKE HOSE - REAR	BN6-BN7	BRK193	584-050	1

PART	DESCRIPTION	APP	AF	ALT	QPV
BR4395	BRK HOSE KIT - S.S. BRAIDED (GOODRIDGE)	BN1-BN4	BRK194A	582-058	1
BR4396	BRK HOSE KIT - S.S. BRAIDED (GOODRIDGE)	BN6,BN7	BRK194C	.	1
BR4397	BRK HOSE KIT - S.S. BRAIDED (GOODRIDGE)	BT7,BJ8	BRK194D	.	1
BR4398	BRK HOSE KIT - S.S. BRAIDED - P14/16 TYPE	BN7-BJ8	.	.	1
BR4399	BRK HOSE KIT - S.S. BRAIDED - M16 TYPE	BN1-BJ8	.	.	1
BR4400	WHEEL CYLINDER - REAR RH	BN1-BN1.221535	BRK195	021-160	1
BR4401	WHEEL CYLINDER - REAR LH	BN1-BN1.221535	BRK196	021-158	1
BR4402	WHEEL CYLINDER - REAR	BN1.221536-BN6	BRK197	021-159	2
BR4403	WHEEL CYLINDER - REAR (COPY)	BN7&BT7-BJ8	BRK198	021-161	2
BR4404	WHEEL CYLINDER - REAR (BRASS PISTON)	BN7&BT7-BJ8	.	.	2
BR4407	WHEEL CYLINDER - REAR (GIRLING)	BN1.221536-BN6	.	.	2
BR4408	WHEEL CYLINDER - REAR (GIRLING)	BN7&BT7-BJ8	.	.	2
BR4411	REPAIR KIT - REAR WHEEL CYLINDER	BN1.221536-BN6	BRK200	513-092	1
BR4412	REPAIR KIT - REAR WHEEL CYLINDER	BN7&BT7-BJ8	BRK201	583-020	1
BR4431	TAPPET & ROLLER SET	BN1	BRK203A	.	2
BR4440	DUST COVER - W/CYL TO BACKPLATE RH	BN1-BN1.221535	BRK204	.	1
BR4441	DUST COVER - W/CYL TO BACKPLATE LH	BN1-BN1.221535	BRK205	.	1
BR4442	DUST COVER - W/CYL TO BACKPLATE	BN1.221536-BJ8	BRK206	582-190	2
BR4450	LOCK PLATE SET	BN1.221536-BJ8	BRK207	582-210/220	2
BR4460	ADJUSTER - REAR BRAKE	BN1.221536-BJ8	BRK208	582-260	2
BR4461	BRACKET - BRAKE HOSE	BN1-BJ8	BRK209	587-335	2
BR4500	BRAKE SHOES - REAR (EXCHANGE)	BN1-BN1.221535	BRK212	021-167	1
BR4501	BRAKE SHOES - REAR	BN1.221536-BJ8	BRK213	519-031	1
BR4502	BRAKE SHOES - REAR (EXCHANGE)	BN1.221536-BJ8	.	.	1
BR4510	SPRING - SHOE RETURN	BN1-BN1.221535	BRK214	582-970	4
BR4511	SPRING - SHOE RETURN	BN1.221536-BJ8	BRK215	031-303	4
BR4512	LININGS & RIVETS - REAR (CAR SET)	BN1-BN1.221535	BRK216	585-260	1
BR4513	LININGS & RIVETS - REAR (CAR SET)	BN1.221536 - BJ8	.	.	1
BR4520	BRAKE DRUM - REAR (STEEL WHEELS)	BN4-BJ8	BRK219	586-040	2
BR4530	BRAKE DRUM - REAR (WIRE WHEELS)	BN6-BJ8	BRK220	021-359	2
BR4540	SCREW - DRUM TO HUB (WIRE WHEELS)	BN2-BJ8	BRK221	323-585	4

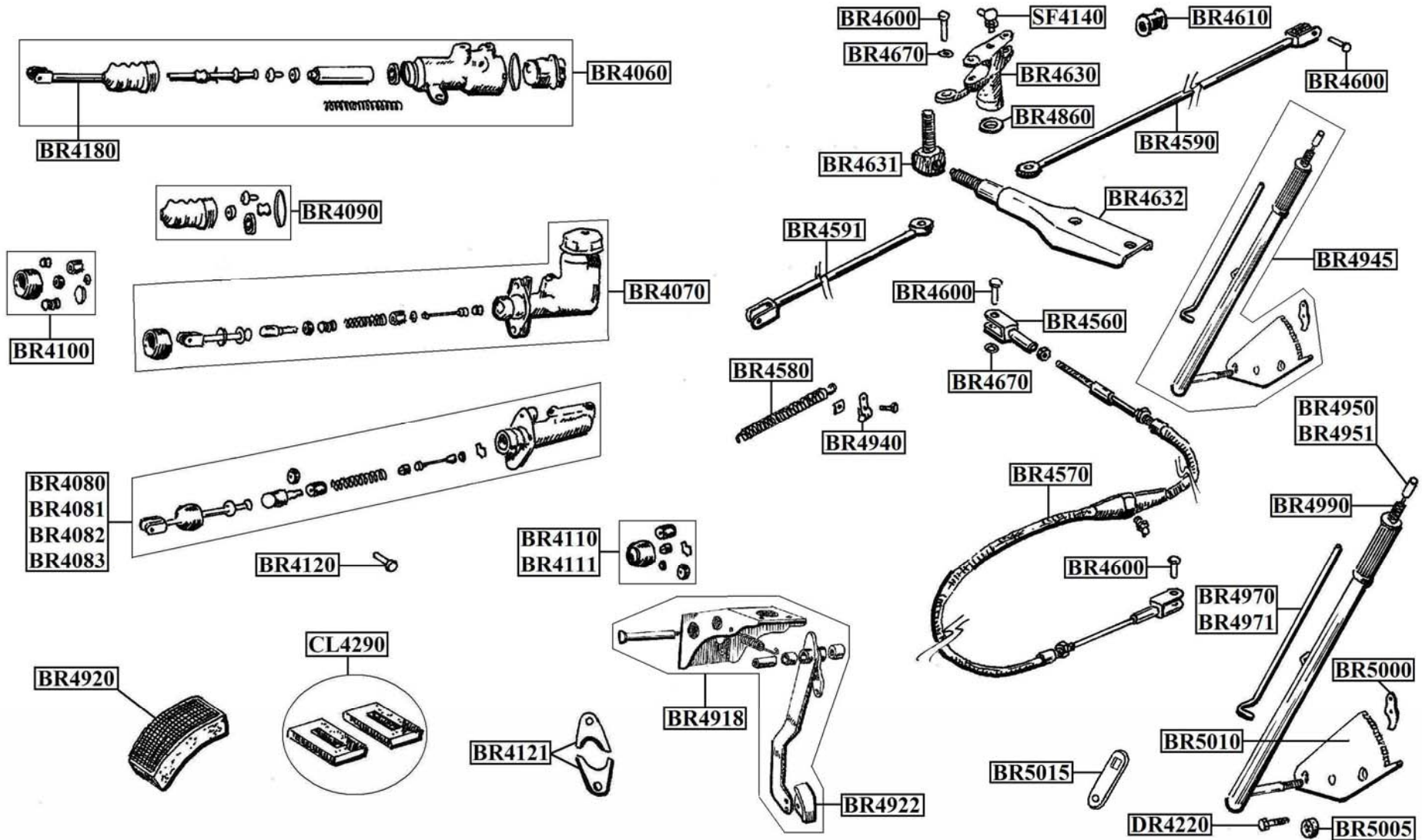




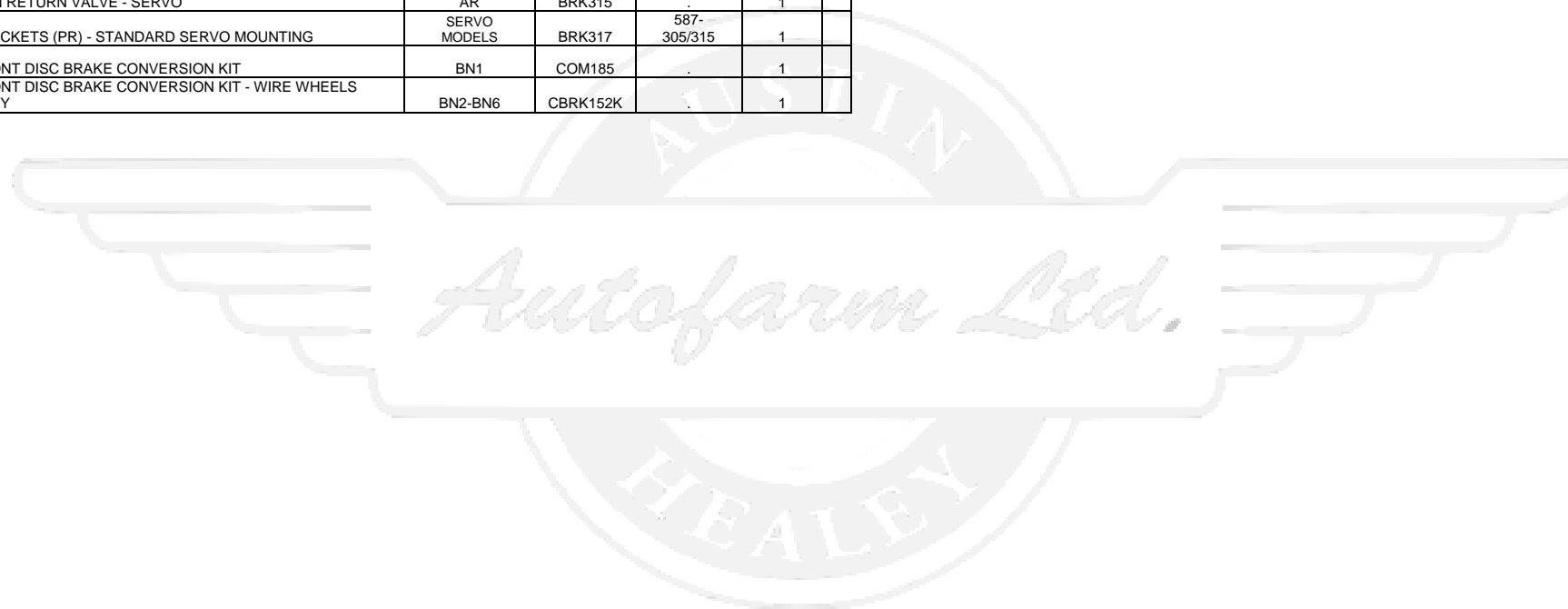
PART	DESCRIPTION	APP	AF	ALT	QPV	
BR4550	SCREW - DRUM TO HUB (DISC WHEELS)	BN4-BJ8	BRK222	314-000	4	
BR4560	FORK END - HANDBRAKE CABLE	BN1-BJ8	BRK224	021-718	1	
BR4570	CABLE - HANDBRAKE	BN1-BJ8	BRK225	021-389/394	1	
BR4580	RETURN SPRING - HANDBRAKE LINKAGE	BN1.221536-BJ8	BRK226	021-721	2	
BR4590	LINK ROD - LONG	BN1.221536-BJ8	BRK227	021-709	1	
BR4591	LINK ROD - SHORT	BN1.221536-BJ8	BRK228	021-708	1	
BR4600	CLEVIS PIN - CROSS RODS	BN1-BJ8	BRK229	325-130	2	
BR4610	RUBBER GROMMET - CROSS RODS	BN1.221536-BJ8	BRK230	021-361	1	
BR4620	LEVER - ON REAR BACKPLATE	BN1.221536-BJ8	BRK231	585-590	2	
BR4630	BALANCE LEVER-HANDBRAKE (2ND HAND)	BN4-BJ8			1	
BR4631	CARRIER - BALANCE LEVER (2ND HAND)	BN4-BJ8			1	
BR4632	SUPPORT WITH PIN - (2ND HAND)	BN4-BJ8			1	
BR4670	FELT WASHER - LINK RODS	BN1-BJ8	BRK236	021-719	8	
BR4680	CLIP - BRAKE PIPE TO CHASSIS	BN1-BJ8	BRK238	582-925	10	
BR4682	CLIP - BRAKE PIPE (PLASTIC)	ALL			10	
BR4690	BRAKE PIPE SET - KUNIFER - RHD	BN1-BN2	BRK240		1	
BR4691	BRAKE PIPE SET - KUNIFER - LHD	BN1-BN2	BRK241	585-408	1	
BR4692	BRAKE PIPE SET - KUNIFER - RHD	BN4-BN6	BRK242		1	
BR4693	BRAKE PIPE SET - KUNIFER - LHD	BN4-BN6	BRK243	585-418	1	
BR4694	BRK PIPE SET - KUNIFER -RHD (NON-SERVO)	BN7&BT7-BJ7	BRK244		1	
BR4695	BRK PIPE SET - KUNIFER -LHD (NON-SERVO)	BN7&BT7-BJ7	BRK245		1	
BR4696	BRK PIPE SET - KUNIFER -RHD (W/-SERVO)	BN7&BT7-BJ8	BRK246		1	
BR4697	BRK PIPE SET - KUNIFER -LHD (W/-SERVO)	BN7&BT7-BJ8	BRK247	585-438	1	
BR4700	PIPE - RESEVOIR TO CLUTCH M/CYL. (RHD)	BN1-BJ8	BRK248		1	
BR4701	PIPE - RESEVOIR TO CLUTCH M/CYL. (LHD)	BN1-BJ8	BRK248A	581-520	1	
BR4702	PIPE - RESEVOIR TO BRAKE M/CYL. (RHD)	BN7&BT7-BJ8	BRK249		1	
BR4703	PIPE - RESEVOIR TO BRAKE M/CYL. (LHD)	BN7&BT7-BJ8	BRK249A	585-455	1	
BR4710	CALIPER PIPE - COPPER	BT7-BJ8	BRK250		2	
BR4720	PIPE - FRONT BRAKE BRIDGE	BN1-BN2	BRK250A	021-578	2	
BR4721	PIPE - FRONT BRAKE BRIDGE	BN4-BN6	BRK250B	021-578	2	
BR4728	BRK & CLUTCH PIPE-COPPER (METRE)	AR			ALL	

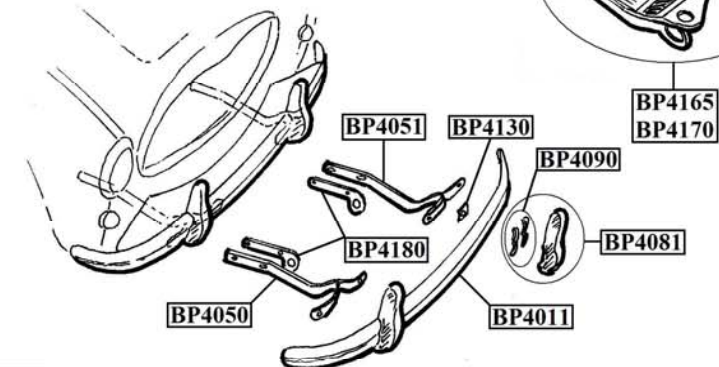
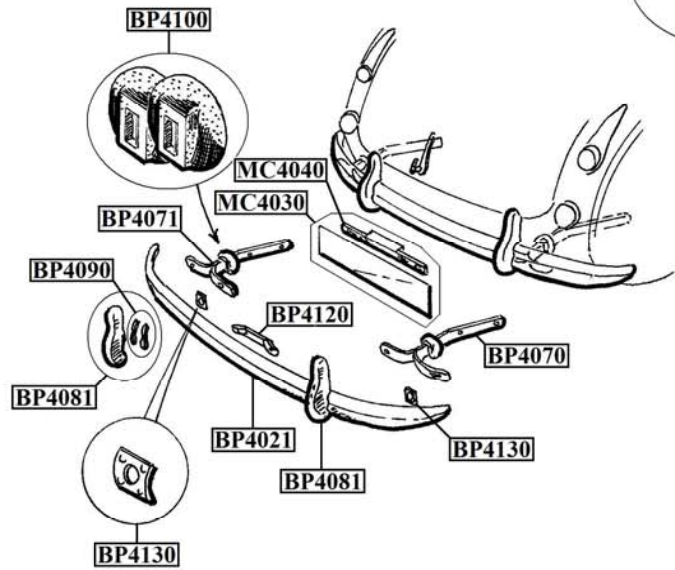
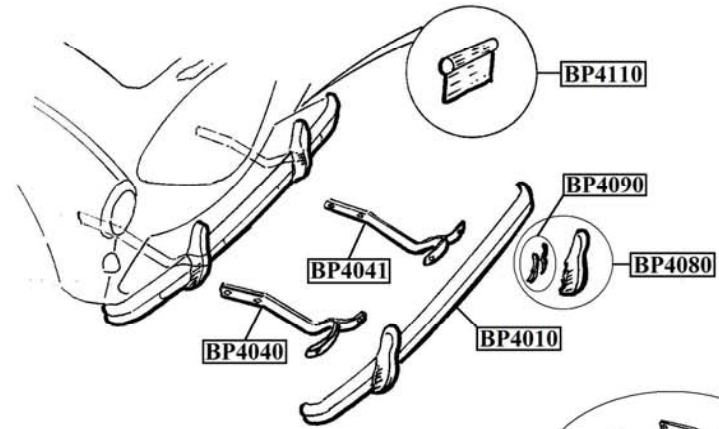
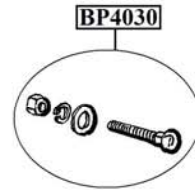
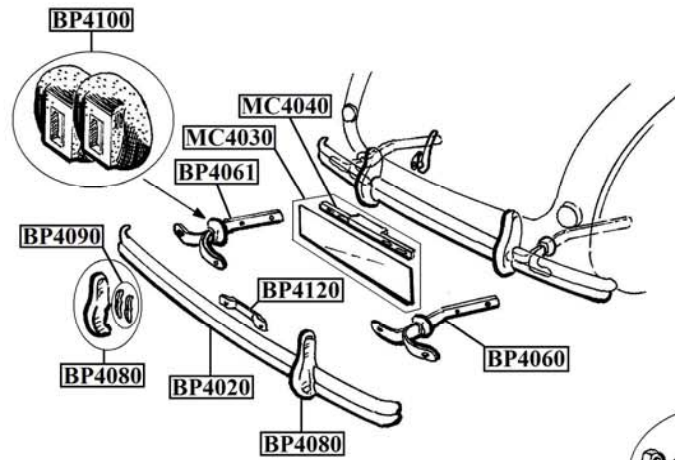
PART	DESCRIPTION	APP	AF	ALT	QPV	
BR4729	BRAKE & CLUTCH PIPE-KUNIFER (25FT ROLL)	AR			ALL	
BR4730	UNION - BRAKE PIPE MALE (3/16 PIPE)	BN1-BJ8	BRK251		As Req	
BR4731	UNION - BRAKE PIPE MALE 7/16 (1/4 PIPE)	BN1-BJ8	BRK253		As Req	
BR4740	UNION - BRAKE PIPE FEMALE (3/16 PIPE)	BN1-BJ8	BRK252		As Req	
BR4741	UNION - BRAKE PIPE FEMALE 7/16 (1/4 PIPE)	BN1-BJ8	BRK253A		As Req	
BR4750	SERVO ASSY - SUB (GENUINE LOCKHEED)	SERVO MODELS	BRK254	981-173	1	
BR4751	SERVO ASSY - SUB (LOCKHEED COPY)	SERVO MODELS			1	
BR4753	REPAIR KIT -SERVO ASSY (LOCKHEED SERVO)	BN1-BJ8			1	
BR4760	REPAIR KIT -SERVO ASSY (GIRLING SERVO)	SERVO MODELS	BRK255	021-164	1	
BR4770	SERVO HOSE - FLEXIBLE	SERVO MODELS	BRK256	021-569	1	
BR4775	ADAPTER - VACUUM (SERVO HOSE)	SERVO MODELS			1	
BR4780	BRACKET FIXING - SUB. SERVO	SERVO MODELS	BRK258		1	
BR4790	BRASS CONNECTOR - 3 WAY	BN1.156814-BN2	BRK259	582-945	1	
BR4791	BRASS CONNECTOR - 3 WAY	SERVO MODE NON SERVO MODELS	BRK260	589-110	1	
BR4840	BRASS CONNECTOR - 5 WAY	BJ8 SERVO MODELS	BRK261	589-010	1	
BR4850	BRASS CONNECTOR - 4 WAY	BJ8 SERVO MODELS	BRK262	589-120	1	
BR4860	FELT WASHER - BALANCE LEVER	BN1-BJ8	BRK264	021-747	1	
BR4870	BOW TIE RETAINER - SERVO HOSE	BJ8.25315 ON	BRK265		1	
BR4880	CLIP -PIPE TO FRONT WHEEL ARCH (LHD ONLY)	BN4-BJ8	BRK267	585-595	1	
BR4892	CASTROL SRF -RACING BRAKE FLUID (1 LITRE)	BN1-BJ8			As Req	
BR4900	SILICONE BRAKE FLUID (1 LITRE)	BN1-BJ8	BRK280	220-410	As Req	
BR4918	PEDAL BOX ASSY -BRAKE & CLUTCH (2ND HAND)	BN4-BJ8			1	
BR4920	PEDAL RUBBER - BRAKE AND CLUTCH	BN1-BJ8	BRK300	021-412	2	
BR4922	PEDAL FOOT - WIDE	BN1-BN2	CBRK302B		2	
BR4940	CLIP - RETURN SPRING (HANDBRAKE)	BN1-BJ8	BRK303	021-757	2	
BR4945	LEVER ASSEMBLY - HANDBRAKE (CHROME)	BN4-BJ8	BRK304		1	
BR4950	BUTTON - HANDBRAKE	BN1-BN2	BRK305		1	
BR4951	BUTTON - HANDBRAKE	BN4-BJ8	BRK306	021-579	1	
BR4970	ROD - HANDBRAKE	BN1-BN2	BRK307		1	
BR4971	ROD - HANDBRAKE	BN4-BJ8	BRK308	021-716	1	
BR4990	SPRING - HANDBRAKE BUTTON	BN1-BJ8	BRK310	021-714	1	





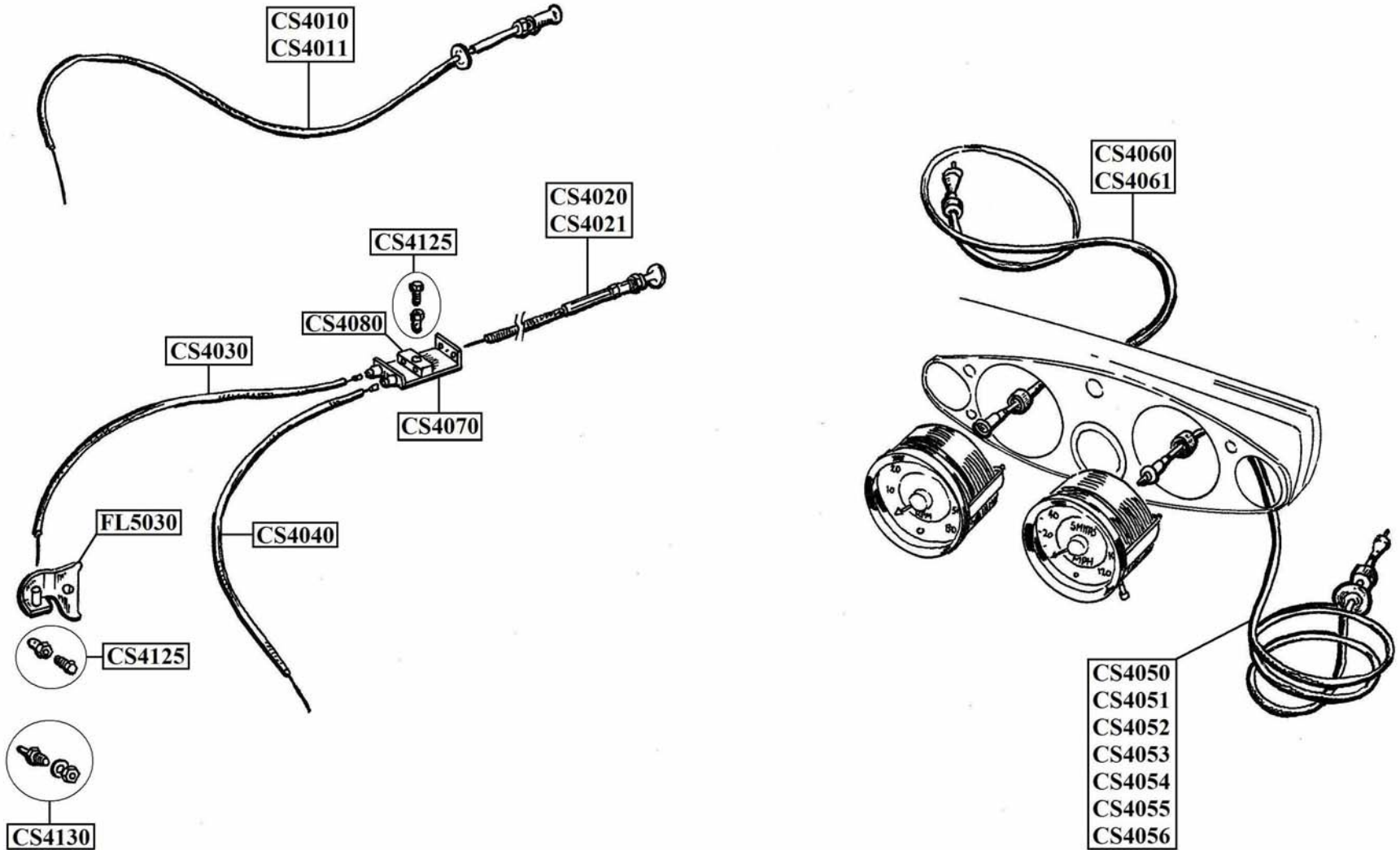
PART	DESCRIPTION	APP	AF	ALT	QPV	
BR5000	PLATE - RATCHETT	BN4-BJ8	BRK311	.	1	
BR5005	SPACER - HANDBRAKE MOUNTING	BN1-BJ8	.	.	2	
BR5010	PAWL	BN1-BJ8	BRK312	.	1	
BR5015	LEVER - HANDBRAKE MOUNTING PIN	BN1-BJ8	.	.	1	
BR5020	STEADY POST & NUT	BN1-BJ8	BRK313	586-015	4 OR 8	
BR5040	NON RETURN VALVE - SERVO	AR	BRK315	.	1	
BR5060	BRACKETS (PR) - STANDARD SERVO MOUNTING	SERVO MODELS	BRK317	587- 305/315	1	
BR5125	FRONT DISC BRAKE CONVERSION KIT	BN1	COM185	.	1	
BR5127	FRONT DISC BRAKE CONVERSION KIT - WIRE WHEELS ONLY	BN2-BN6	CBRK152K	.	1	





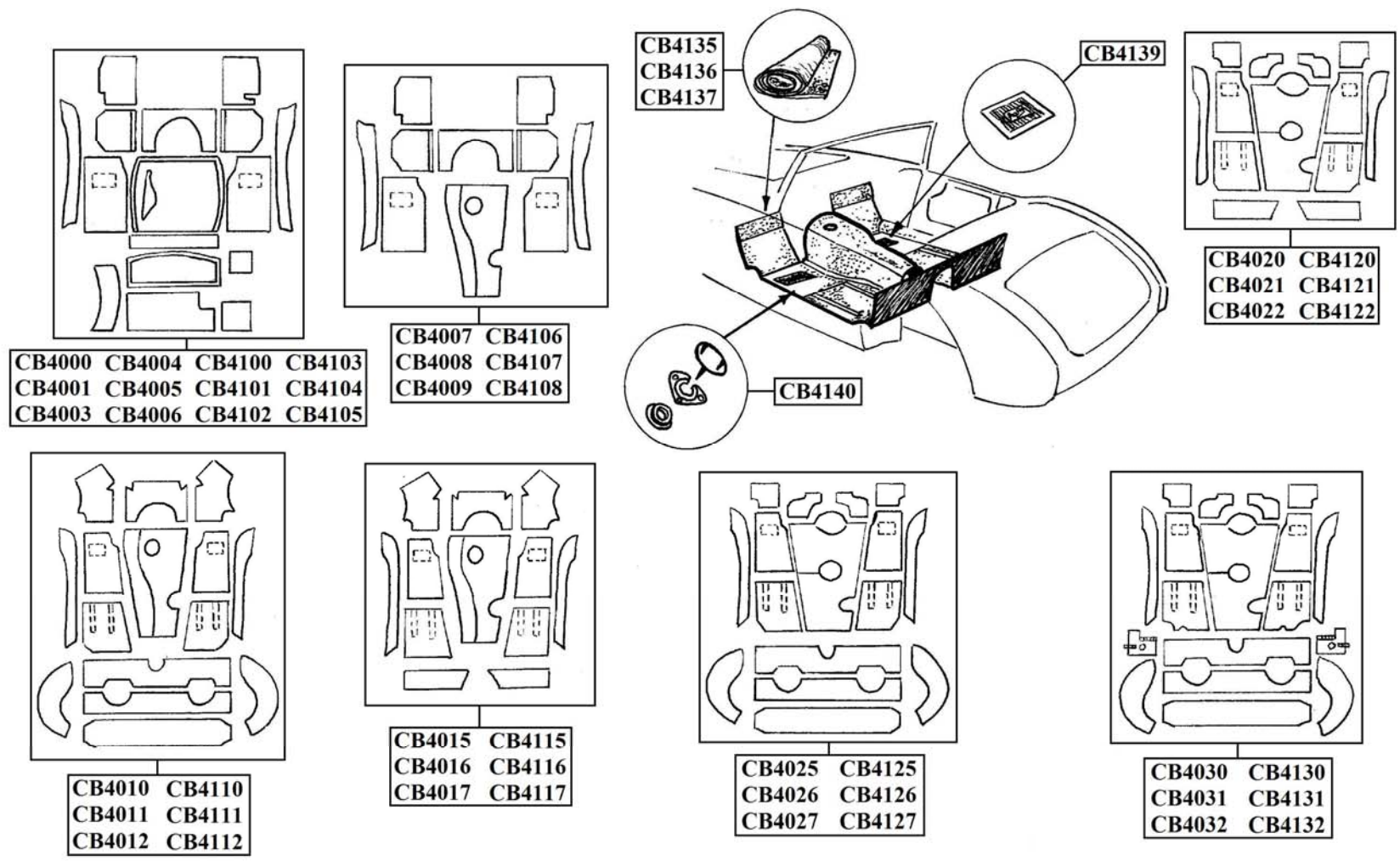
PART	DESCRIPTION	APP	AF	ALT	QPV	
BP4010	FRONT BUMPER	BN1-BN2	BMP101	854-260	1	
BP4011	FRONT BUMPER	BN4-BJ8	BMP102	991-353	1	
BP4020	REAR BUMPER	BN1-BN2	BMP103	854-270	1	
BP4021	REAR BUMPER	BN4-BJ8	BMP104	991-356	1	
BP4030	CHROME BOLT - REAR BUMPER	BN4-BJ8	BMP109	322-490	2	
BP4040	BUMPER IRON - FRONT RH	BN1-BN2	BMP110	804-270	1	
BP4041	BUMPER IRON - FRONT RH	BN4-BJ8	BMP112	031-354	1	
BP4050	BUMPER IRON - FRONT LH	BN1-BN2	BMP111	804-260	1	
BP4051	BUMPER IRON - FRONT LH	BN4-BJ8	BMP113	031-358	1	
BP4060	BUMPER IRON - REAR RH	BN1-BN2	BMP114	804-300	1	
BP4061	BUMPER IRON - REAR RH	BN4-BJ8	BMP116	804-290	1	
BP4070	BUMPER IRON - REAR LH	BN1-BN2	BMP115	804-310	1	
BP4071	BUMPER IRON - REAR LH	BN4-BJ8	BMP117	804-280	1	
BP4080	OVER RIDER (WITH BOLT & SEAL)	BN1-BN2	BMP120	454-010	4 OR 2	
BP4081	OVER RIDER (WITH BOLT & SEAL)	BN4-BJ8	BMP121	021-393	4	
BP4090	SEAL - OVER RIDER (PR)	BN1-BJ8	BMP124	400-418	4 OR 2	
BP4100	GROMMET (PR) - REAR BUMPER IRONS	BN1-BJ8	BMP130	021-755/6	1	
BP4110	PIPING - BUMPER APRON TO BODY	BN1-BN2	BMP135	021-748	1	
BP4120	BRACKET - NUMBER PLATE LAMP	BN4-BJ8	BMP137	806-360	1	
BP4130	SPACER - BUMPER IRON	BN4-BJ8	BMP140	031-417	6	
BP4150	MOUNTING BRACKET - RALLY O/R	BN1-BN2	BMP141	.	2	
BP4151	MOUNTING BRACKET - RALLY O/R	BN4-BJ8	BMP142	.	2	
BP4152	MOUNTING BRACKET - RALLY O/R (CHROME)	BN4-BJ8	.	.	2	
BP4160	RALLY OVER RIDER - REAR	BN1-BJ8	BMP143	400-210	2	
BP4165	MOUNTING BRACKETS - SPOT LAMPS (PR)	BN1-BN2	.	.	1	
BP4170	MOUNTING BRACKETS - SPOT LAMPS (PR)	BN1-BJ8	BMP145	.	1	
BP4180	TOWING BRACKET	BN1-BJ8	BMP147	.	1	





PART	DESCRIPTION	APP	AF	ALT	QPV	
CS4010	CHOKE CABLE	BN1-BJ7	CBS101	734-130	1	
CS4011	CHOKE CABLE	BN1-BN2	CBS101A	734-100	1	
CS4020	CHOKE CABLE - MAIN (RHD)	BJ8	CBS104	.	1	
CS4021	CHOKE CABLE - MAIN (LHD)	BJ8	CBS105	734-190	1	
CS4030	CHOKE CABLE - SECONDARY (FRONT)	BJ7-BJ8	CBS106	734-210	1	
CS4040	CHOKE CABLE - SECONDARY (REAR)	BJ7-BJ8	CBS107	734-230	1	
CS4050	SPEEDOMETER CABLE - LHD	BN1-BN2	CBS109	021-380	1	
CS4051	SPEEDOMETER CABLE - RHD	BN1-BN2	CBS110	.	1	
CS4052	SPEEDOMETER CABLE - 3' 6"	BJ7-BJ8 (NON OD)	CBS111	021-385	1	
CS4053	SPEEDOMETER CABLE - 4' 0"	AR	CBS112	331-300	1	
CS4054	SPEEDOMETER CABLE - 4' 3"	BJ7-BJ8 (OD)	CBS113	021-386	1	
CS4055	SPEEDOMETER CABLE - 4' 8"	AR	CBS114	021-381	1	
CS4056	SPEEDOMETER CABLE - 5' 2"	AR	CBS115	021-384	1	
CS4060	TACHOMETER CABLE - RHD (LHD - 6 CYL.)	BN1-BN2	CBS120	.	1	
CS4061	TACHOMETER CABLE - LHD (RHD - 6CYL.)	BN1-BN2	CBS121	331-300	1	
CS4070	BRACKET - CHOKE CABLE	BJ7-BJ8	CBS126	372-225	1	
CS4080	BLOCK - CHOKE CABLE	BJ7-BJ8	CBS128	372-235	1	
CS4125	CABLE TRUNNION (INCL.SCREW)	BN1-BJ7	CBS131/2	378-648	2	
CS4130	PIN ASSEMBLY - CHOKE	BJ8	CBS133	375-108	2	

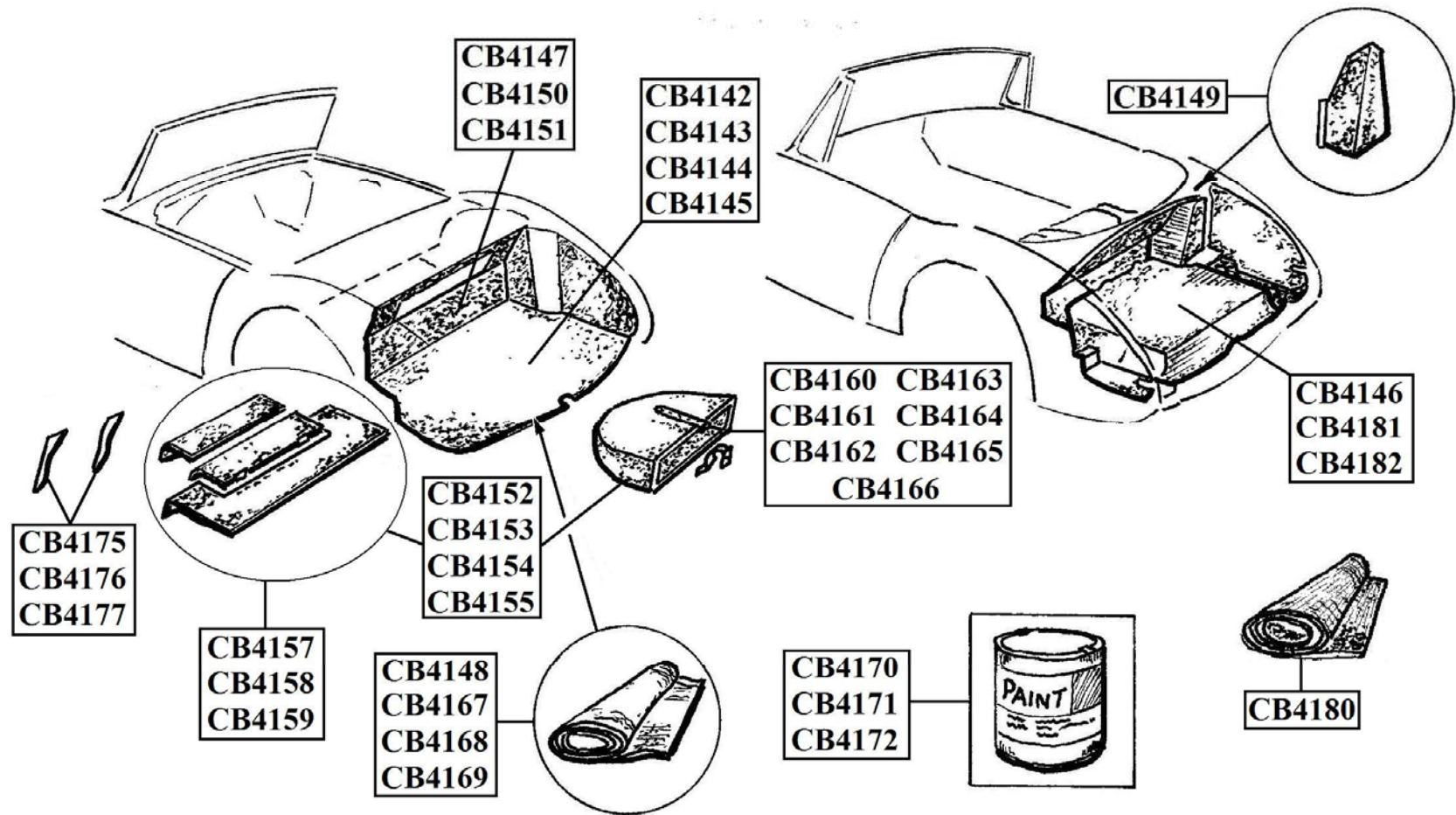




PART	DESCRIPTION	APP	AF	ALT	QPV
CB4000	CARP SET - BLACK (RHD) ORIGINAL CARVEL	BN1	CAB101	.	1
CB4001	CARP SET - BLACK (LHD) ORIGINAL CARVEL	BN1	CAB101A	248-720	1
CB4003	CARP SET - BLUE (RHD) ORIGINAL CARVEL	BN1	CAB102	.	1
CB4004	CARP SET - BLUE (LHD) ORIGINAL CARVEL	BN1	CAB102A	248-740	1
CB4005	CARP SET - RED (RHD) ORIGINAL CARVEL	BN1	CAB103	.	1
CB4006	CARP SET - RED (LHD) ORIGINAL CARVEL	BN1	CAB103A	248-730	1
CB4007	CARP SET - BLACK (ORIGINAL CARVEL)	BN2	CAB106	248-750	1
CB4008	CARP SET - BLUE (ORIGINAL CARVEL)	BN2	CAB107	248-770	1
CB4009	CARP SET - RED (ORIGINAL CARVEL)	BN2	CAB108	248-760	1
CB4010	CARP SET - BLK (SIDE CHG) ORIGCARVEL	BN4&BT7	CAB110	248-780	1
CB4011	CARP SET - BLUE (SIDE CHG) ORIGCARVEL	BN4&BT7	CAB111	248-800	1
CB4012	CARP SET - RED (SIDE CHG) ORIG CARVEL	BN4&BT7	CAB112	248-790	1
CB4015	CARP SET - BLACK (SIDE CHG) ORIG CARVEL	BN6&BN7	CAB115	248-810	1
CB4016	CARP SET - BLUE (SIDE CHG) ORIG CARVEL	BN6&BN7	CAB116	248-830	1
CB4017	CARPSET SET - RED (SIDE CHG) ORIG CARVEL	BN6&BN7	CAB117	248-820	1
CB4020	CARP SET - BLK (CENTRE CHG) ORIG CARVEL	BN7 MK2	CAB120	248-840	1
CB4021	CARP SET - BLUE (CENTRE CHG) ORIG CARVEL	BN7 MK2	CAB121	.	1
CB4022	CARP SET - RED (CENTRE CHG) ORIG CARVEL	BN7 MK2	CAB122	248-850	1
CB4025	CARP SET - BLK (CENT CHG) ORIG CARVEL	BT7 MK2-BJ8.26704	CAB125	248-870	1
CB4026	CARP SET - BLUE (CENTRE CHG) ORIG CARVEL	BT7 MK2-BJ8.26704	CAB126	248-890	1
CB4027	CARP SET - RED (CENTRE CHG) ORIG CARVEL	BT7 MK2-BJ8.26704	CAB127	248-880	1
CB4030	CARP SET - STANDARD BLACK ORIG CARVEL	BJ8.26705 ON	CAB130	248-900	1
CB4031	CARP SET - STANDARD BLUE ORIG CARVEL	BJ8.26705 ON	CAB131	248-920	1
CB4032	CARP SET - STANDARD RED ORIG CARVEL	BJ8.26705 ON	CAB132	248-910	1
CB4035	CARP MATERIAL - BLK (P/MTR) ORIG CARVEL	BN1-BJ8	CAB135	.	As Req
CB4036	CARP MATERIAL - BLUE (P/MTR) ORIG CARVEL	BN1-BJ8	CAB136	.	As Req
CB4037	CARP MATERIAL - RED (P/MTR) ORIG CARVEL	BN1-BJ8	CAB137	.	As Req
CB4100	CARP SET - BLK (RHD) BEST QUALITY WOOL	BN1	CAB101	.	1
CB4101	CARP SET - BLK (LHD) BEST QUALITY WOOL	BN1	CAB101A	248-720	1
CB4102	CARP SET - BLUE (RHD) BEST QUALITY WOOL	BN1	CAB102	.	1
CB4103	CARP SET - RED (RHD) BEST QUALITY WOOL	BN1	CAB103	.	1

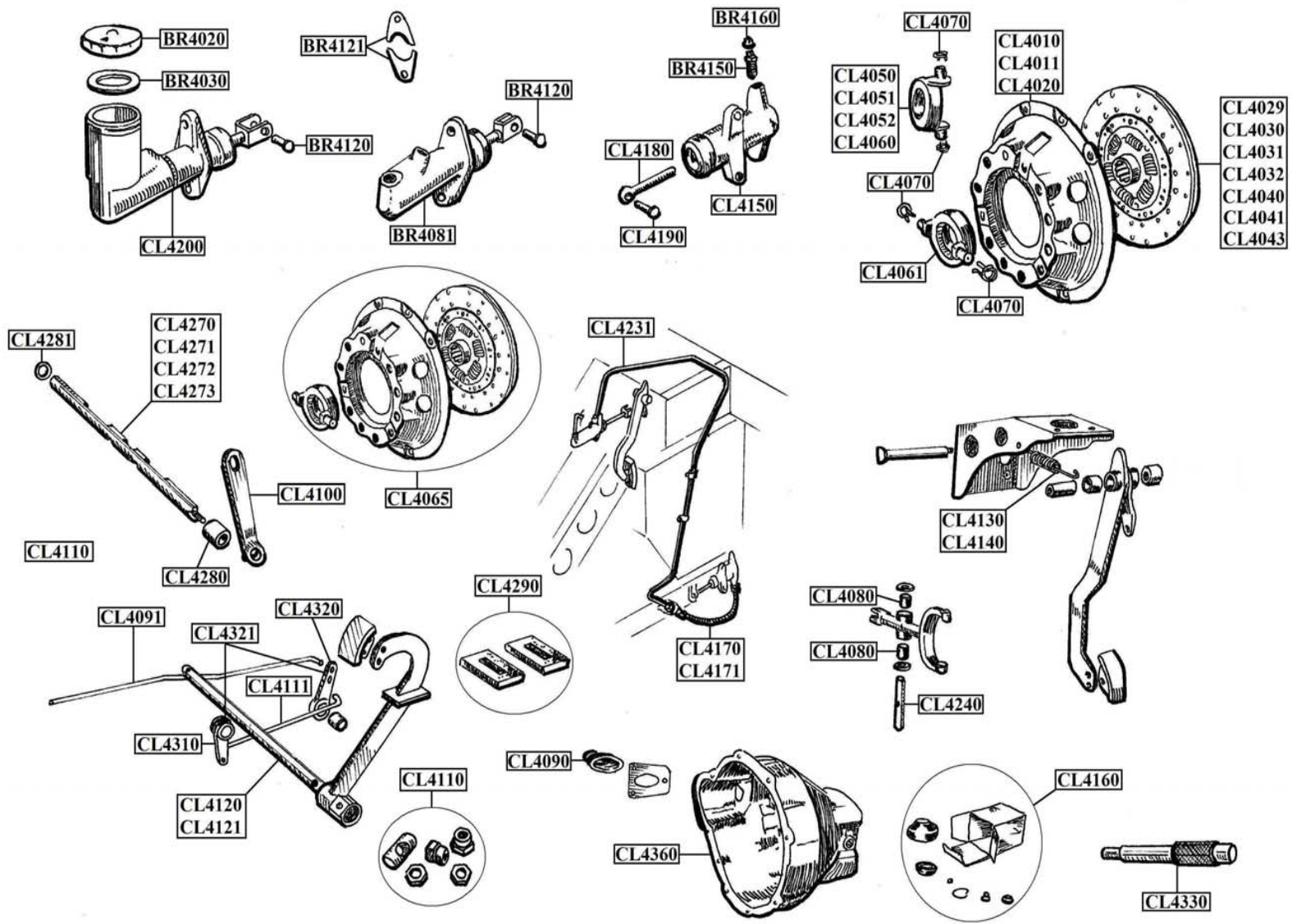
PART	DESCRIPTION	APP	AF	ALT	QPV
CB4104	CARP SET - BLUE (LHD) BEST QUALITY WOOL	BN1	CAB102A	248-740	1
CB4105	CARP SET - RED (LHD) BEST QUALITY WOOL	BN1	CAB103A	248-730	1
CB4106	CARP SET - BLACK (BEST QUALITY WOOL)	BN2	CAB106J	.	1
CB4107	CARP SET - BLUE (BEST QUALITY WOOL)	BN2	CAB107J	.	1
CB4108	CARP SET - RED (BEST QUALITY WOOL)	BN2	CAB108J	.	1
CB4110	CARP SET - BLACK (SIDE CHG) BEST QUAL WL	BN4&BT7	CAB110J	.	1
CB4111	CARP SET - BLUE (SIDE CHG) BEST QUAL WL	BN4&BT7	CAB111J	.	1
CB4112	CARP SET - RED (SIDE CHG) BEST QUAL WL	BN4&BT7	CAB112J	.	1
CB4115	CARP SET - BLACK (SIDE CHG) BEST QUAL WL	BN6&BN7	CAB115J	.	1
CB4116	CARP SET - BLUE (SIDE CHG) BEST QUAL WL	BN6&BN7	CAB116J	.	1
CB4117	CARP SET - RED (SIDE CHG) BEST QUAL WL	BN6&BN7	CAB117J	.	1
CB4120	CARP SET - BLK (CENTRE CHG) BEST QUAL WL	BN7 MK2	CAB120J	248-860	1
CB4121	CARP SET - BLUE (CENTRE CHG) BEST QUAL WL	BN7 MK2	CAB121J	.	1
CB4122	CARP SET - RED (CENTRE CHG) BEST QUAL WL	BN7 MK2	CAB122J	.	1
CB4125	CARPSET - BLK (CENTRE CHG) BEST QUAL WL	BT7 MK2-BJ8.26704	CAB125J	.	1
CB4126	CARP SET - BLUE (CENTRE CHG) BEST QUAL WL	BT7 MK2-BJ8.26704	CAB126J	.	1
CB4127	CARP SET - RED (CENTRE CHG) BEST QUAL WL	BT7 MK2-BJ8.26704	CAB127J	.	1
CB4130	CARP SET - BLACK (BEST QUALITY WOOL)	BJ8.26705 ON	CAB130J	.	1
CB4131	CARP SET - BLUE (BEST QUALITY WOOL)	BJ8.26705 ON	CAB131J	.	1
CB4132	CARP SET - RED (BEST QUALITY WOOL)	BJ8.26705 ON	CAB132J	.	1
CB4135	CARP MATRL - BLACK (P/MTR) BEST QUAL WOOL	BN1-BJ8	CAB135J	.	As Req
CB4136	CARP MATRL - BLUE (P/MTR) - BEST QUAL WOOL	BN1-BJ8	CAB136J	.	As Req
CB4137	CARP MATRL - RED (P/MTR) - BEST QUAL WOOL	BN1-BJ8	CAB137J	.	As Req
CB4139	RUBBER HEEL MAT - AUSTIN	BN1-BJ8	CAB139	.	1 OR 2
CB4140	CLIP ASSY. (3 PIECE) - CARPET FIXING	BN1-BJ8	CAB140	228-128	As Req
CB4142	BOOT LINING KIT - RED	BN1-BN2	CAB145C	.	1
CB4143	BOOT LINING KIT - BLUE	BN1-BN2	CAB145B	.	1
CB4144	BOOT LINING KIT - GREEN	BN1-BN2	.	.	1
CB4145	BOOT LINING KIT - BLACK	BN1-BN2	CAB145	249-910	1
CB4146	BOOT LINING KIT - INCL. FILLER NECK COVER	BN4,BT7,BJ7&BJ8	CAB146	249-915/930	1
CB4147	BOOT LINING KIT - BLACK	BN6&BN7	CAB147	249-920	1





PART	DESCRIPTION	APP	AF	ALT	QPV	
CB4148	ARMACORD MATERIAL - BOOT (P/MTR)	BN1-BJ8	CAB148	.	1	
CB4149	FILLER NECK COVER	BN4,BT7,BJ7&BJ8	CAB149	805-990	1	
CB4150	BOOT LINING KIT - RED	BN6&BN7	.	.	1	
CB4151	BOOT LINING KIT - BLUE	BN6&BN7	.	.	1	
CB4152	REAR DECK TRIM KIT- RED	BN1-BN2	CAB155C	.	1	
CB4153	REAR DECK TRIM KIT- BLUE	BN1-BN2	CAB155B	.	1	
CB4154	REAR DECK TRIM KIT - GREEN	BN1-BN2	.	.	1	
CB4155	REAR DECK TRIM KIT - BLACK	BN1-BN2	CAB155	.	1	
CB4157	REAR DECK TRIM KIT - BLUE (2 SEATERS)	BN6&BN7	.	.	1	
CB4158	REAR DECK TRIM KIT - BLACK (2 SEATERS)	BN6&BN7	CAB158	.	1	
CB4159	REAR DECK TRIM KIT - RED (2 SEATERS)	BN6&BN7	.	.	1	
CB4160	GLOVE - SPARE WHEEL (ALL BLACK)	BN6&BN7	CAB160	.	1	
CB4161	GLOVE - SPARE WHEEL (ALL BLUE)	BN6&BN7	CAB161	.	1	
CB4162	GLOVE - SPARE WHEEL (ALL RED)	BN6&BN7	CAB162	.	1	
CB4163	GLOVE - SPARE WHEEL (BLACK/WHITE)	BN6&BN7	CAB163	.	1	
CB4164	GLOVE - SPARE WHEEL (BLUE/WHITE)	BN6&BN7	CAB164	.	1	
CB4165	GLOVE - SPARE WHEEL (BLACK/RED)	BN6&BN7	CAB165	.	1	
CB4166	GLOVE - SPARE WHEEL (RED/WHITE)	BN6&BN7	CAB166	.	1	
CB4167	ARMACORD MATERIAL - BLUE (PER METRE)	BN1-BN4.60413	.	.	As Req	
CB4168	ARMACORD MATERIAL - GREEN (PER METRE)	BN1-BN4.60413	.	.	As Req	
CB4172	ARMACORD PAINT - GREEN SEMI GLOSS	BN1-BN4.60413	CAB172	.	As Req	
CB4175	BATTERY COVER STRAP - BLACK	BN1,BN2,BN6&BN7	CAB175	.	2	
CB4176	BATTERY COVER STRAP - BLUE	BN1,BN2,BN6&BN7	CAB176	.	2	
CB4177	BATTERY COVER STRAP - RED	BN1,BN2,BN6&BN7	CAB177	.	2	
CB4180	HEAT RESISTANT CLOTH - PER METRE	BN1-BJ8	CAB180	.	As Req	
CB4181	BOOT LINING KIT - (BLUE) INCL. F/NECK COVER	BN4 ONLY	.	.	As Req	
CB4182	BOOT LINING KIT - (RED) INCL. F/NECK COVER	BN4 ONLY	.	.	As Req	

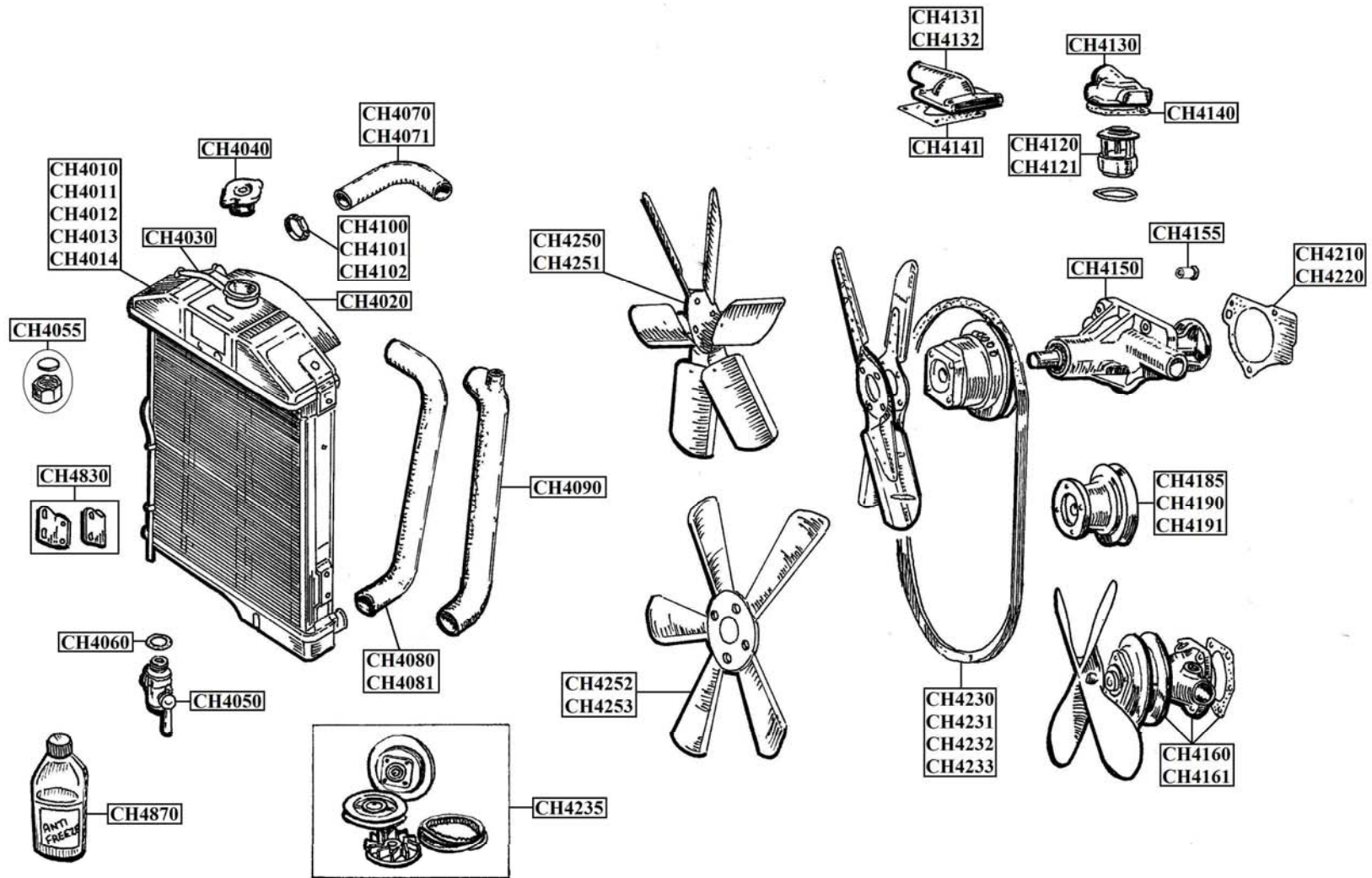




PART	DESCRIPTION	APP	AF	ALT	QPV
CL4010	COVER ASSEMBLY - 9"	BN1-BN6	CLU101	021-135	1
CL4011	COVER ASSEMBLY - 10"	BN7-BJ7(E)29F4878	CLU102	021-136	1
CL4020	COVER ASSEMBLY - 9.1/2"	BJ7(E)29F4879-BJ8	CLU103	021-139	1
CL4029	DRIVEN PLATE	BN1	.	.	1
CL4030	DRIVEN PLATE (EXCHANGE ONLY)	BN1	CLU105	591-020	1
CL4031	DRIVEN PLATE	BN2-BN6	CLU106	021-140	1
CL4032	DRIVEN PLATE	BN7-BJ7(E)29F4878	CLU107	500-100	1
CL4040	DRIVEN PLATE	BJ7(E)29F4879-BJ8	CLU108	021-140	1
CL4041	DRIVEN PLATE (COPY)	BJ7(E)29F4879-BJ8	CLU108	021-140	1
CL4043	DRIVEN PLATE - 9.1/2" (PADDLE TYPE - AP)	BN1-BJ8	CCLU108P	.	1
CL4050	RELEASE BEARING	BN1	CLU109	595-020	1
CL4051	RELEASE BEARING	BN2-BN6	CLU110	501-022	1
CL4052	RELEASE BEARING	BN7-BJ7(E)29F4878	CLU111	501-020	1
CL4060	RELEASE BEARING	BJ7(E)29F4879-BJ8	CLU112	501-032	1
CL4061	RELEASE BEARING - BALL RACE TYPE	BN1-BJ8	CCLU112M	.	1
CL4065	HEAVY DUTY CLUTCH KIT - DIAPHRAGM TYPE	BN4-BJ8	COM262	.	1
CL4070	CLIP - RELEASE BEARING	BN1-BJ8	CLU115	190-310	2
CL4080	BUSH - RELEASE FORK	BN4-BJ8	CLU118	330-470	2
CL4090	GAITER - CLUTCH RELEASE FORK	BN4-BJ8	CLU120	031-370	1
CL4091	CONNECTING ROD - CLUTCH (ADJ)	BN1-BN2	CLU123	.	1
CL4100	LEVER - OPERATING	BN1-BN2	CLU124	596-240	1
CL4110	TRUNNION ASSY - OP. LEVER	BN1-BN2	CLU125	596-198	1
CL4111	CONNECTING ROD - CLUTCH (NON-ADJ)	BN1-BN2	CLU126	.	1
CL4120	PEDAL SHAFT - BRAKE & CLUTCH (LHD)	BN1-BN2	CLU127	021-701	1
CL4121	PEDAL SHAFT - BRAKE & CLUTCH (RHD)	BN1-BN2	CLU128	.	1
CL4130	RETURN SPRING - CLUTCH PEDAL	BN1-BN2	CLU129	329-065	1
CL4140	RETURN SPRING - CLUTCH PEDAL	BN4-BJ8	CLU130	329-075	1
CL4150	SLAVE CYLINDER	BN4-BJ8	CLU133	513-316	1
CL4160	REPAIR KIT - SLAVE CYLINDER	BN4-BJ8	CLU134	513-127	1
CL4170	FLEXIBLE HOSE - HYDRAULIC	BN4-BJ8	CLU135	584-760	1
CL4171	HYDRAULIC HOSE - S.S. BRAID (GOODRIDGE)	BN4-BJ8	CLU135A	.	1

PART	DESCRIPTION	APP	AF	ALT	QPV
CL4180	PUSH ROD - SLAVE CYLINDER	BN4-BJ8	CLU136	596-220	1
CL4190	CLEVIS PIN - PUSH ROD	BN4-BJ8	CLU137	325-140	1
CL4200	MASTER CYLINDER	BN4-BN4.48862	CLU138	513-323	1
CL4231	CLUTCH PIPE - M/CYL TO HOSE	BN4-BJ8	CLU143	021-932	1
CL4240	SHAFT - CLUTCH FORK	BN4-BJ8	CLU145	021-929	1
CL4270	CLUTCH OPERATING SHAFT - RHD	BN1	CLU150	.	1
CL4271	CLUTCH OPERATING SHAFT - LHD	BN1	CLU151	021-702	1
CL4272	CLUTCH OPERATING SHAFT - RHD	BN2	CLU152	.	1
CL4273	CLUTCH OPERATING SHAFT - LHD	BN2	CLU153	021-705	1
CL4280	BUSH - CLUTCH SHAFT	BN1-BN2	CLU154	330-460	4
CL4281	CIRCLIP - CLUTCH SHAFT	BN1-BN2	CLU154A	.	2
CL4290	PEDAL DUST EXCLUDERS - PR	BN1-BN2	CLU155	682-120	1
CL4310	LEVER - CLUTCH OPERATING RODS	BN1-BN2	CLU157	021-703	1
CL4320	LEVER - CLUTCH OPERATING RODS	BN1-BN2	CLU158	596-015	1
CL4321	UPRATED CLUTCH LEVERS (PR)	BN1-BN2	XLCCLU123	.	1
CL4325	CLUTCH LINKAGE - HEAVY DUTY	BN1-BN2	CCLU123	.	1
CL4330	ALIGNMENT TOOL - CLUTCH PLATE	BN2-BJ8	CLU160	021-665	1
CL4360	BELL HOUSING - EXCH (RE-FURB)	BN4	CLU165	.	1

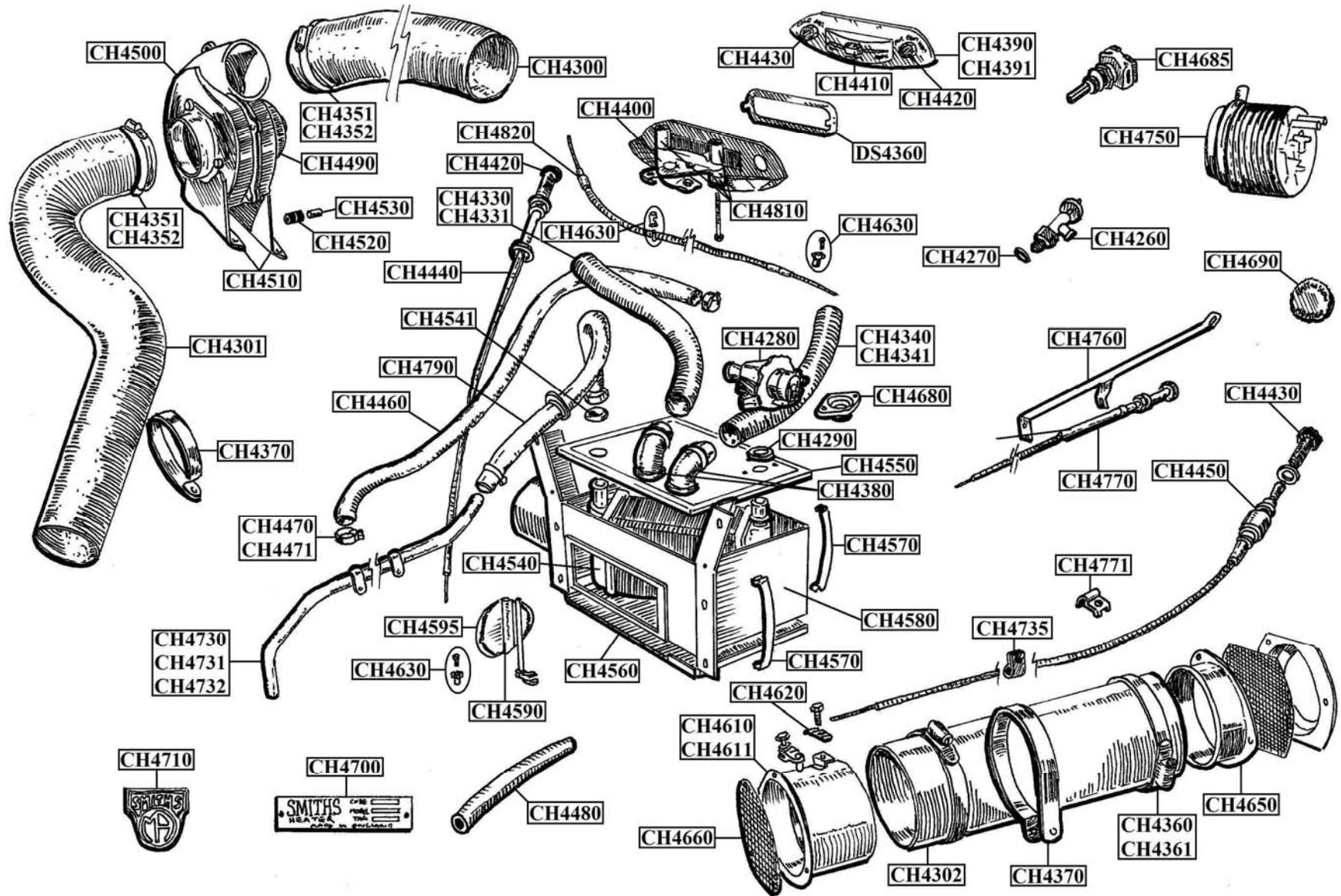




PART	DESCRIPTION	APP	AF	ALT	QPV	
CH4010	RADIATOR - REBUILT (EXCHANGE)	BN1-BN2	CHT101	.	1	
CH4011	RADIATOR - ALUMINIUM (HIGH PERF)	BN1-BN2	CHT101C	.	1	
CH4012	RADIATOR - REBUILT (EXCHANGE)	BN4-BJ8	CHT102	.	1	
CH4013	RADIATOR - NEW (OUTRIGHT SALE)	BN4-BJ8	CHT102A	834-990	1	
CH4014	RADIATOR - ALUMINIUM (HIGH PERF)	BN4-BJ8	CHT102C	.	1	
CH4020	FAN GUARD - RADIATOR	BN1-BJ8	CHT103	806-420	1	
CH4030	OVERFLOW PIPE - RADIATOR	BN1-BJ8	CHT104	021-306	1	
CH4040	CAP - RADIATOR	BN1-BJ8	CHT105	583-004	1	
CH4050	DRAIN TAP	BN1-BJ8	CHT108	660-010	1	
CH4055	BLANKING PLUG - RADIATOR	BN4-BJ8	.	.	1	
CH4060	WASHER - DRAIN TAP	BN1-BJ8	CHT109	324-670	1	
CH4070	TOP HOSE	BN1-BN2	CHT110	021-067	1	
CH4071	TOP HOSE	BN4-BJ8	CHT111	570-083	1	
CH4080	BOTTOM HOSE	BN1-BN2	CHT112	570-021	1	
CH4081	BOTTOM HOSE (WITHOUT HEATER)	BN4-BJ8	CHT113	021-068	1	
CH4090	BOTTOM HOSE (WITH HEATER)	BN4-BJ8	CHT114	570-085	1	
CH4100	CLIP - HOSE (JUBILEE TYPE)	BN1-BJ8	CHT115	326-350	4	
CH4101	CLIP - HOSE (WIRE TYPE)	BN1-BJ8	CHT115A	326-430	4	
CH4102	CLIP - HOSE (PIN & STRIP TYPE)	BN1-BN6	CHT115B	326-350	4	
CH4120	THERMOSTAT - 74 DEGREE C	BN1-BN2	CHT118	.	1	
CH4121	THERMOSTAT - 82 DEGREE C	BN4-BJ8	CHT119	.	1	
CH4130	HOUSING - THERMOSTAT	BN4-BJ8	CHT120	021-346	1	
CH4131	HOUSING - THERMOSTAT	BN1-BN2	CHT120A	835-560	1	
CH4132	HOUSING - THERMOSTAT - USED	BN1-BN2	CHT120A	835-560	1	
CH4140	GASKET - THERMOSTAT HOUSING	BN4-BJ8	CHT121	292-100	1	
CH4141	GASKET - THERMOSTAT HOUSING	BN1-BN2	CHT122	697-320	1	
CH4150	WATER PUMP - NEW	BN1-BN2	CHT124	021-065	1	
CH4155	TUBE NUT-WATER PUMP MTG.	BN1-BN2	CHT124B	.	2	
CH4160	WATER PUMP - 3/8" PULLEY	BN4-BJ8	CHT126	835-020	1	
CH4161	WATER PUMP - 1/2" PULLEY	BJ8.MAR'66	CHT128	580-010	1	
CH4185	PULLEY -WATER PUMP (NARROW-ALUM)	BN1-BN2	CCHT130	.	1	

PART	DESCRIPTION	APP	AF	ALT	QPV	
CH4190	PULLEY - PRESS ON TYPE WATER PUMP	BN4-BJ8	CHT131	.	1	
CH4191	PULLEY - WATER PUMP	BJ8	CHT132	.	1	
CH4210	GASKET - WATER PUMP	BN1-BN2	CHT135	697-330	1	
CH4220	GASKET - WATER PUMP	BN4-BJ8	CHT136	697-370	1	
CH4230	FAN BELT	BN1-BN2	CHT137	021-066	1	
CH4231	FAN BELT	BN4-BN6	CHT138	834-045	1	
CH4232	FAN BELT - 3/8"	BN7&BT7-BJ8 MAR'66	CHT139	834-050	1	
CH4233	FAN BELT - 1/2"	BJ8.MAR'66 ON	CHT140	834-060	1	
CH4235	FAN BELT CONVERSION (NARROW BELT)	BN1-BN2	CENG591	.	1	
CH4250	COOLING FAN - 6 BLADE	BN1-BN2	.	.	1	
CH4251	COOLING FAN - 6 BLADE	BN4-BJ8	CHT146	.	1	
CH4252	COOLING FAN - 5 BLADE PLASTIC	BN1-BN2	CHT146A	.	1	
CH4253	COOLING FAN - 5 BLADE PLASTIC	BN4-BJ8	CHT147	.	1	
CH4260	HEATER CONTROL TAP	BN1-BN2	CHT148	360-400	1	
CH4270	WASHER - HEATER CONTROL TAP	BN1-BN2	CHT149	324-065	1	
CH4280	WATER VALVE - HEATER	BN4-BJ8	CHT150	021-573	1	
CH4290	O RING - HEATER VALVE	BN4-BJ8	CHT151	282-760	1	
CH4300	HEATER TRUNKING - 3.1/4" DIAMETER	BN4-BJ8	CHT155	465-150	1	
CH4301	HEATER TRUNKING - 4" DIAMETER	BN4-BJ8	CHT156	456-120	1	
CH4302	COLD AIR TRUNKING - 4" DIAMETER	BN4-BJ8	CHT157	456-130	1	
CH4330	DEMISTER TRUNKING - SHORT	BN1-BN2	CHT157A	456-135	1	
CH4331	DEMISTER TRUNKING - SHORT R/H	BN4-BJ8	CHT158	456-170	1	
CH4340	DEMISTER TRUNKING - LONG	BN1-BN2	CHT158A	456-155	1	
CH4341	DEMISTER TRUNKING - LONG L/H	BN4-BJ8	CHT159	456-170	1	
CH4351	TRUNKING CLIP - 3.1/4" (JUBILEE TYPE)	BN4-BJ8	CHT160	.	2	
CH4352	TRUNKING CLIP - 3.1/4" (WIRE TYPE)	BN4-BJ8	CHT160A	326-485	2	
CH4360	TRUNKING CLIP - 4" (JUBILEE TYPE)	BN1-BJ8	CHT161	.	1OR3	
CH4361	TRUNKING CLIP - 4" (WIRE TYPE)	BN1-BJ8	CHT161A	326-255	1OR3	
CH4370	CLAMP - AIR TRUNKING TO BODY	BN4-BJ8	CHT163	326-220	1OR2	
CH4380	ELBOW - DEMISTER TUBE TO HEATER	BN4-BJ8	CHT165	635-520	2	
CH4390	CONTROL PANEL - HEATER	BN4-BJ8	CHT170	021-573	1	

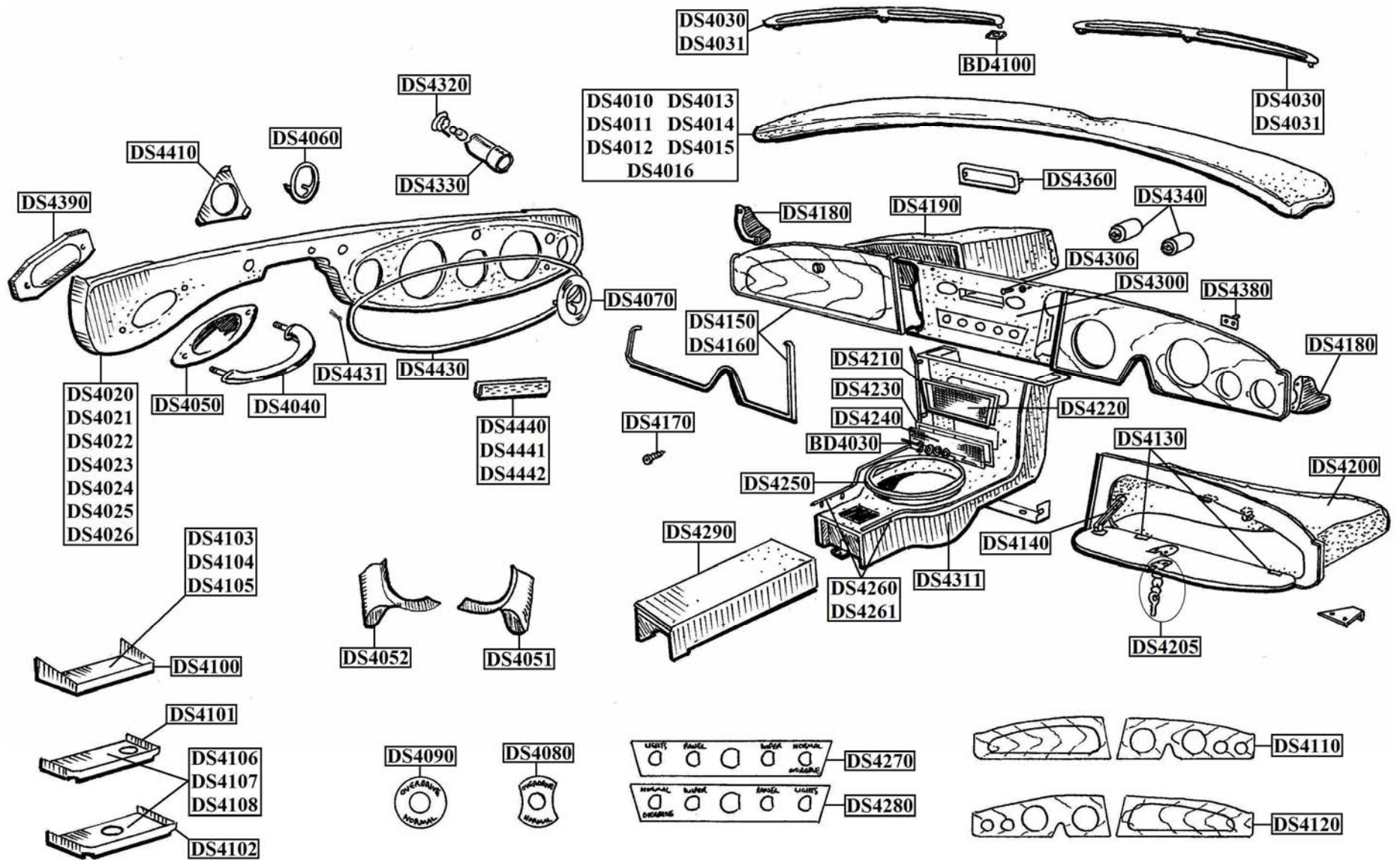




PART	DESCRIPTION	APP	AF	ALT	QPV	
CH4391	CONTROL PANEL - HEATER (P/DOT ALUM)	BN4-BJ8	.	.	1	
CH4400	HEATER SWITCH	BN4-BJ8	CHT171	021-574	1	
CH4410	KNOB - HEATER BOOST	BN4-BJ8	CHT172	021-576	1	
CH4420	KNOB - PUSH, HEATER CONTROL	BN4-BJ8	CHT175	635-500	1	
CH4430	KNOB - PULL (COLD AIR)	BN4-BJ8	CHT176	635-510	1	
CH4440	CABLE - AIR TO HEATER	BN4-BJ8	CHT177	331-320	1	
CH4450	CABLE - FRESH AIR INTAKE	BN4-BJ8	CHT178	331-330	1	
CH4460	HEATER HOSE - 1/2" (PER FOOT)	AR	CHT180	.	As Req	
CH4470	CLIP - HEATER HOSE (1/2" JUBILEE TYPE)	AR	CHT181	.	5	
CH4471	CLIP - HEATER HOSE (1/2" WIRE TYPE)	AR	CHT181A	635-100	5	
CH4480	HOSE - 5/8" (PER FOOT)	AR	CHT182	.	As Req	
CH4490	HEATER BLOWER ASSEMBLY - COMPLETE	BN4-BJ8	CHT190	363-075	1	
CH4500	CASING - HEATER BLOWER	BN4-BJ8	CHT191	635-540	1	
CH4510	BRACKET - HEATER BLOWER	BN4-BJ8	CHT193	363-345	2	
CH4520	GROMMET - BLOWER MOUNTING	BN4-BJ8	CHT194	363-335	4	
CH4530	SPACER - BLOWER GROMMET	BN4-BJ8	CHT195	363-385	4	
CH4540	HEATER RADIATOR	BN4-BJ8	CHT196	635-530	1	
CH4541	GROMMET - HEATER RADIATOR TO W/PIPE	BN4-BJ8	.	.	1	
CH4550	HEATER BOX - BOTTOM	BN4-BJ8	CHT197	363-175	1	
CH4560	HEATER BOX - TOP	BN4-BJ8	CHT198	363-165	1	
CH4570	SPRING CLIP - HEATER UNIT	BN4-BJ8	CHT199	363-375	3	
CH4580	HEATER UNIT CASE - COMPLETE (LESS RADIATOR)	BN4-BJ8	CHT199C	.	1	
CH4590	RUBBER SEAL - AIR VALVE INLET	BN4-BJ8	CHT200	363-415	2	
CH4595	VALVE - AIR INLET WITH SEAL	BN4-BJ8	.	.	1	
CH4610	AIR INTAKE ASSEMBLY - INCLUDES VALVE	BN1-BN2	CHT200A	363-115	1	
CH4611	AIR INTAKE ASSEMBLY - INCLUDES VALVE	BN4-BJ8	CHT201	363-155	1	
CH4620	CABLE CLAMP	BN4-BJ8	CHT202	.	2	
CH4630	TRUNNION & SCREW	BN4-BJ8	CHT203	473-070	4	
CH4650	FLANGE - AIR INTAKE (REAR)	BN4-BJ8	CHT205	363-355	1	
CH4660	WIRE MESH - AIR INTAKE	BN4-BJ8	CHT206	363-125	1	
CH4680	PLATE - HEATER VALVE, CONNECTING	BN4-BJ8	CHT210	021-630	1	

PART	DESCRIPTION	APP	AF	ALT	QPV	
CH4685	RHEOSTAT SWITCH	BN1-BN2	.	.	1	
CH4690	KNOB - HEATER CONTROL	BN1-BN2	CHT211	.	1	
CH4700	PLATE - SMITHS HEATER	AR	CHT212	408-350	1	
CH4710	DECAL - SMITHS HEATER	BN1-BN2	CHT213	.	1	
CH4730	WATER PIPE - COPPER	BN1-BN2	CHT214	021-908	1	
CH4731	WATER PIPE - COPPER	BN4-BN4(E)40500	CHT214A	363-245	1	
CH4732	WATER PIPE - COPPER	BN4(E)40500-BJ8	CHT215	363-245	1	
CH4735	P CLIP - WATER VALVE (5/8")	BN1-BN2	.	.	2	
CH4750	RADIATOR UNIT - HEATER	BN1-BN2	CHT217	635-435	1	
CH4760	MOUNTING BRACKET - COLD AIR CONTROL	BN1-BN2	CHT218	.	1	
CH4770	CABLE & KNOB - FRESH AIR CONTROL	BN1-BN2	CHT219	331-310	1	
CH4771	CLAMP - FRESH AIR CABLE	BN1-BN2	.	.	1	
CH4790	HOSE - HEATER TO ENGINE	BN4-BJ8	CHT221	.	1	
CH4810	SPACER SET - HEATER SWITCH	BN4-BJ8	CHT223	322-215	1	
CH4820	CONTROL CABLE - HEATER VALVE	BN4-BJ8	CHT224	331-360	1	
CH4830	RADIATOR BRACKETS - PAIR	BN4-BJ8	CHT225	.	1	

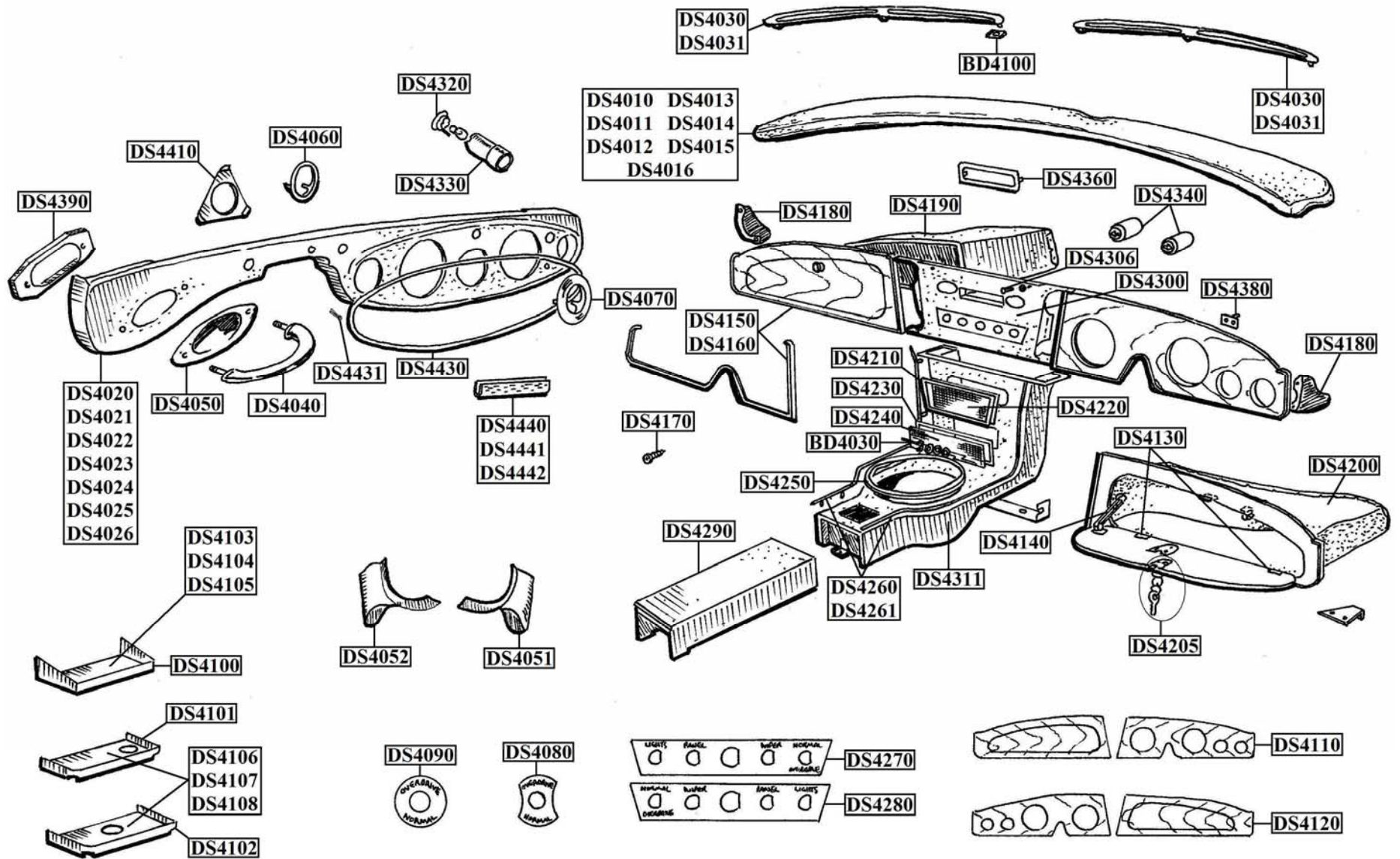




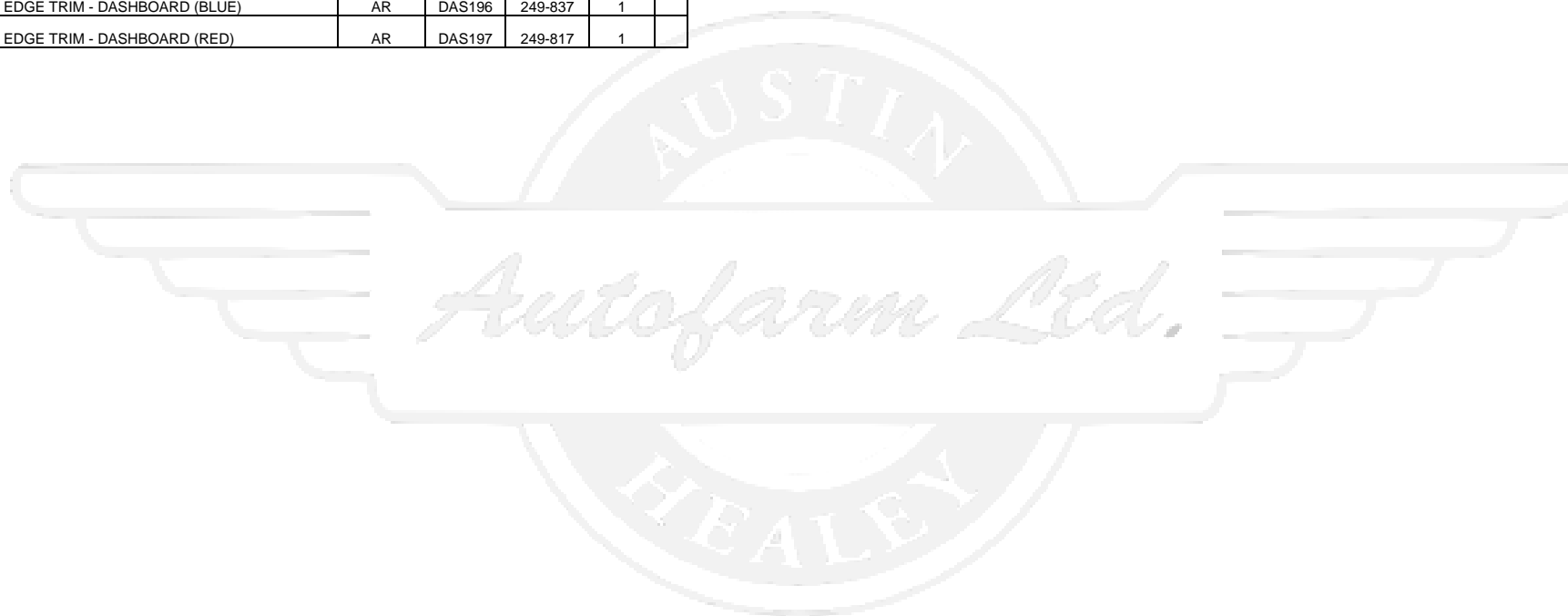
PART	DESCRIPTION	APP	AF	ALT	QPV	
DS4010	DASH TOP ASSEMBLY - PADDED (BLACK)	BN4-BT7	DAS101	805-665	1	
DS4011	DASH TOP ASSEMBLY - PADDED (BLUE)	BN4-BT7	DAS102	805-675	1	
DS4012	DASH TOP ASSEMBLY - PADDED (RED)	BN4-BT7	DAS103	805-670	1	
DS4013	DASH TOP ASSY - PADDED (BLACK)	BJ7-BJ8	DAS140	.	1	
DS4014	DASH TOP ASSY - PADDED (BLUE)	BJ7-BJ8	DAS141	.	1	
DS4015	DASH TOP ASSY - PADDED (RED)	BJ7-BJ8	DAS142	.	1	
DS4016	DASH TOP-UNTRIMMED	BJ7-BJ8	ZDAS140	.	1	
DS4020	DASHBOARD - ALUMINIUM (RHD)	BN1-BN2	DAS104	.	1	
DS4021	DASHBOARD - ALUMINIUM (LHD)	BN1-BN2	DAS104L	.	1	
DS4022	DASHBOARD - ALUMINIUM (RHD)	BN4-BJ7	DAS105	.	1	
DS4023	TRIMMED DASHBOARD - RHD (BLACK)	BN4-BJ7	DAS105A	.	1	
DS4024	TRIMMED DASHBOARD - RHD (BLUE)	BN4-BJ7	DAS105B	.	1	
DS4025	TRIMMED DASHBOARD - RHD (RED)	BN4-BJ7	DAS105C	.	1	
DS4026	DASHBOARD - ALUMINIUM (LHD)	BN4-BJ7	DAS105L	633-635	1	
DS4030	MASK ASSEMBLY - DEMISTER VENT	BN4-BJ8	DAS106	4B8521	2	
DS4031	MASK ASSEMBLY - DEMISTER VENT (CHROME)	BN4-BJ8	DAS107	.	2	
DS4040	GRAB HANDLE	BN1-BJ7	DAS110	633-690	1	
DS4050	ESCUTCHEON - GRAB HANDLE	BN1-BJ7	DAS111	633-700	1	
DS4051	MOUNTING BRACKET - DASH FACIA (RH)	BN4-BJ7	.	.	1	
DS4052	MOUNTING BRACKET - DASH FACIA (LH)	BN4-BJ7	.	.	1	
DS4060	ESCUTCHEON - STEERING COL. (ADJ)	BN4-BJ7	DAS116	633-670	1	
DS4070	ESCUTCHEON - STEERING COL. (NON-ADJ)	BN4-BJ7	DAS117	633-680	1	
DS4080	ESCUTCHEON - OVERDRIVE (CHROME)	BN1	DAS119	633-635	1	
DS4090	ESCUTCHEON - OVERDRIVE (CHROME)	BN2-BJ7	DAS120	633-660	1	
DS4100	PARCEL SHELF - UNTRIMMED	BN1-BN2	DAS130	856-450	1	
DS4101	PARCEL SHELF - UNTRIMMED (RHD)	BN4-BJ7	DAS131	.	1	
DS4102	PARCEL SHELF - UNTRIMMED (LHD)	BN4-BJ7	DAS131A	856-470	1	
DS4103	COVER ASSY-PARCEL SHELF (BLK) WL CARPET	BN1-BN2	DAS132	.	1	
DS4104	COVER ASSY-PARCEL SHELF (BLUE) WL CARPET	BN1-BN2	DAS133	.	1	
DS4105	COVER ASSY - PARCEL SHELF (RED) WL CARPET	BN1-BN2	DAS134	.	1	
DS4106	COVER ASSY-PARCEL SHELF (BLK) WL CARPET	BN4-BJ7	DAS135	.	1	

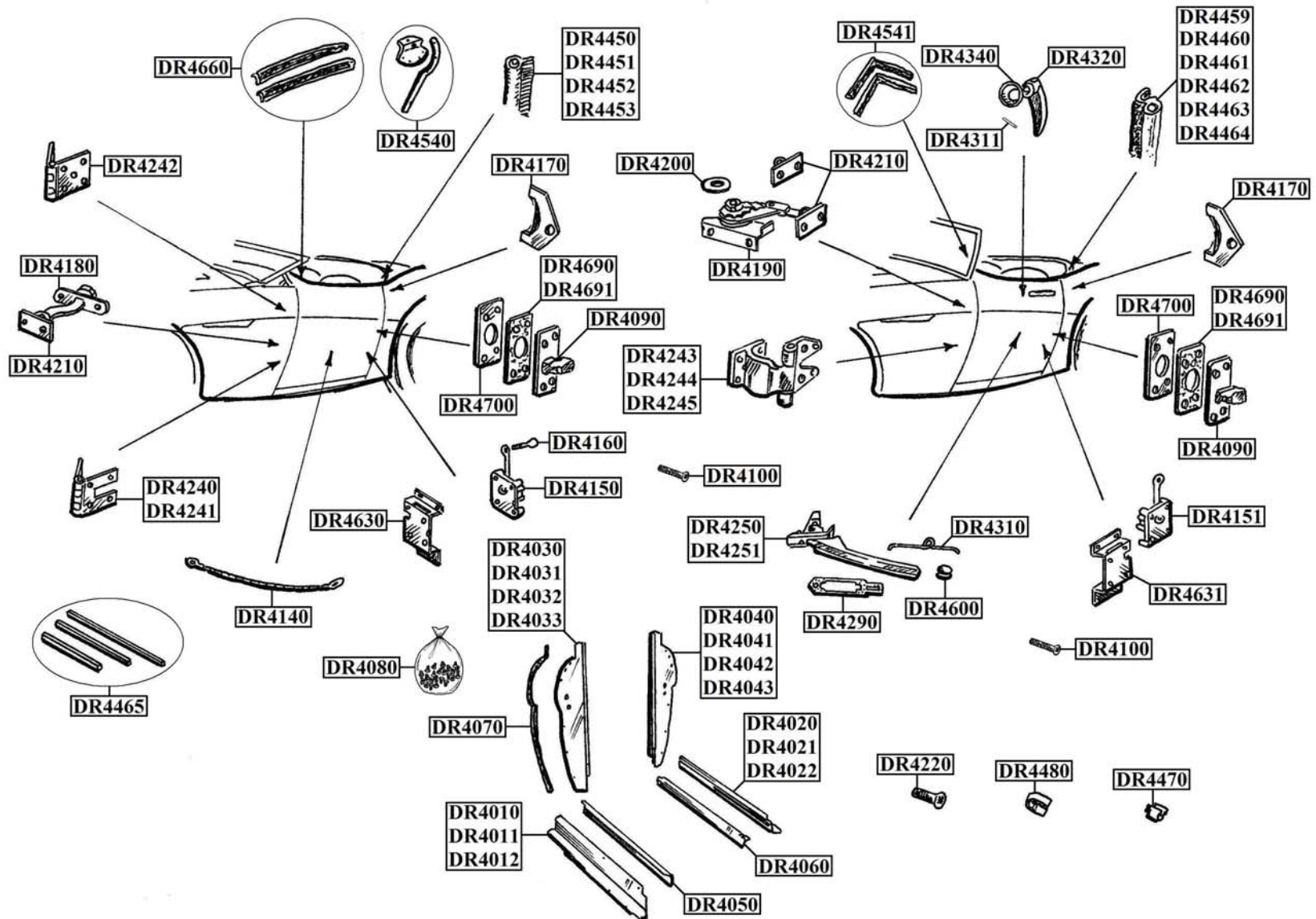
PART	DESCRIPTION	APP	AF	ALT	QPV	
DS4107	COVER ASSY-PARCEL SHELF (BLUE) WL CARPET	BN4-BJ7	DAS136	.	1	
DS4108	COVER ASSY-PARCEL SHELF (RED) WL CARPET	BN4-BJ7	DAS137	.	1	
DS4110	DASHBOARD - WALNUT VENEERED (RHD)	BJ8	DAS145	633-675	1	
DS4120	DASHBOARD - WALNUT VENEERED (LHD)	BJ8	DAS146	633-650	1	
DS4130	HINGE - GLOVE BOX LID	BJ8	DAS147	633-730	2	
DS4140	STAY ROD - GLOVE BOX LID	BJ8	DAS148	633-750	1	
DS4150	DASHBOARD SURROUND - RHD (PR)	BJ8	DAS150	.	1	
DS4160	DASHBOARD SURROUND - LHD (PR)	BJ8	DAS151	633-778	1	
DS4170	SCREW - SURROUND & HINGES	BJ8	DAS152	.	20	
DS4180	DASHBOARD FIXING BRACKETS - PR (USED)	BJ8	DAS154	633-658	1	
DS4190	GLOVE BOX - RHD	BJ8	DAS155	633-595	1	
DS4200	GLOVE BOX - LHD	BJ8	DAS156	633-590	1	
DS4205	LOCK-GLOVE BOX	BJ8	.	.	1	
DS4210	SPEAKER BEZEL	BJ8	DAS160	633-785	1	
DS4220	SPEAKER FRET	BJ8	DAS161	633-795	1	
DS4230	RADIO BEZEL	BJ8	DAS162	472-040	1	
DS4240	RADIO BLANKING PLATE	BJ8	DAS163	633-780	1	
DS4250	GEAR LEVER SURROUND	BJ8	DAS164	633-790	1	
DS4260	CONSOLE FINISHER STRIPS (PR)	BJ8	DAS165	633-840/845	1	
DS4261	CONSOLE FINISHER STRIPS (PR) HINGED ARMREST	BJ8	DAS165L	.	1	
DS4270	SWITCH ESCUTCHEON - RHD	BJ8	DAS166	.	1	
DS4280	SWITCH ESCUTCHEON - LHD	BJ8	DAS167	633-800	1	
DS4290	CENTRE CONSOLE - UNTRIMMED	BJ8	DAS170	633-860	1	
DS4300	CENTRE PANEL - FASCIA	BJ8	DAS175	633-720	1	
DS4306	SCREW (CHROME) DASH CENTRE PANEL	BJ8	.	.	2	
DS4311	CENTRE ARMREST -UNTRIMMED (NON-OPENING)	BJ8	DAS180	805-780	1	
DS4320	BULB HOLDER - WARNING LIGHT	BN1-BJ7	DAS183	142-710	1	
DS4330	INDICATOR WARNING LIGHT ASSY	BN1-BJ7	DAS184	142-350	1	
DS4340	INDICATOR WARNING LIGHT ASSY	BJ8	DAS185	142-397	2	
DS4360	BEZEL - HEATER CONTROL PANEL	BJ8	DAS187	021-815	1	
DS4380	BRACKET - DASHBOARD TO BODY	BJ8	DAS189	633-715	2	





PART	DESCRIPTION	APP	AF	ALT	QPV	
DS4390	WOOD PACKING - GRAB HANDLE	BN4-BJ7	DAS190	633-695	1	
DS4410	RETAINER - CHROME ESCUTCHEON	BN4-BJ7	DAS192	021-955	1	
DS4430	SURROUND - INSTRUMENT PANEL (ORIG.)	BN4-BJ7	DAS194	633-870	1	
DS4431	CLIP - DASH SURROUND	BN4-BJ7	.	.	15	
DS4440	EDGE TRIM - DASHBOARD (BLACK)	AR	DAS195	249-807	1	
DS4441	EDGE TRIM - DASHBOARD (BLUE)	AR	DAS196	249-837	1	
DS4442	EDGE TRIM - DASHBOARD (RED)	AR	DAS197	249-817	1	

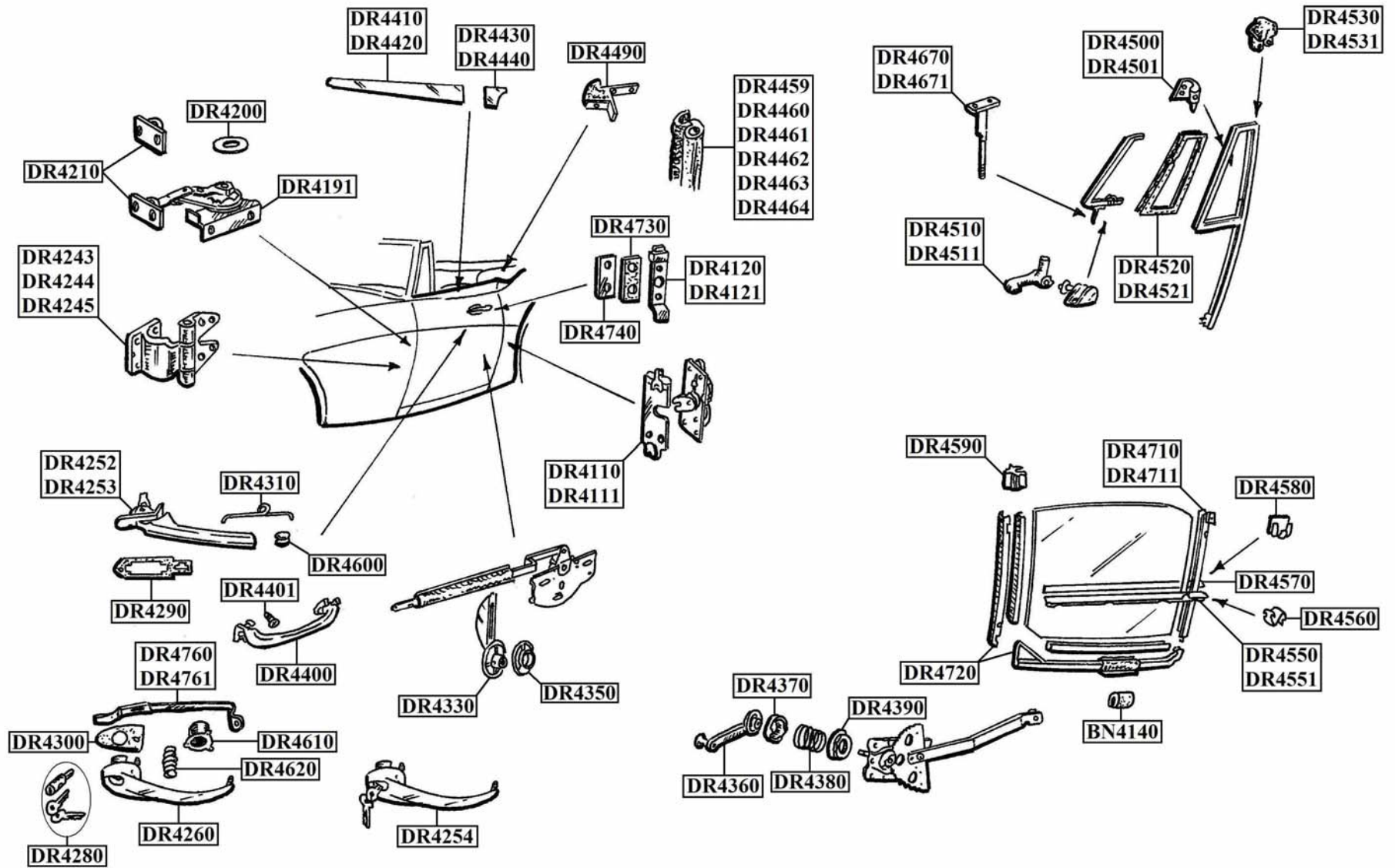




PART	DESCRIPTION	APP	AF	ALT	QPV
DR4010	ALUMINIUM SILL COVER - RH	BN1-BN2	DRF101	803-800	1
DR4011	ALUMINIUM SILL COVER - RH (LB CARS)	BN4	DRF104A	802-775	1
DR4012	ALUMINIUM SILL COVER - RH	BN4-BJ8	DRF105	.	1
DR4020	ALUMINIUM SILL COVER - LH	BN1-BN2	DRF102	803-810	1
DR4021	ALUMINIUM SILL COVER - LH (LB CARS)	BN4	DRF104B	802-785	1
DR4022	ALUMINIUM SILL COVER - LH	BN4-BJ8	DRF106	.	1
DR4030	ALUMINIUM SHUT PILLAR COVER - RH	BN1-BN2	DRF103	803-800	1
DR4031	ALUMINIUM SHUT PILLAR COVER - RH (LB CARS)	BN4	DRF104C	802-775	1
DR4032	ALUMINIUM SHUT PILLAR COVER - RH	BN4-BT7	DRF109	.	1
DR4033	ALUMINIUM SHUT PILLAR COVER - RH	BJ7-BJ8	DRF111	.	1
DR4040	ALUMINIUM SHUT PILLAR COVER - LH	BN1-BN2	DRF104	803-810	1
DR4041	ALUMINIUM SHUT PILLAR COVER - LH (LB CARS)	BN4	DRF104D	802-785	1
DR4042	ALUMINIUM SHUT PILLAR COVER - LH	BN4-BT7	DRF110	.	1
DR4043	ALUMINIUM SHUT PILLAR COVER - LH	BJ7-BJ8	DRF112	.	1
DR4050	ALUMINIUM CARPET STRIP - RH	BN4-BJ8	DRF107	.	1
DR4060	ALUMINIUM CARPET STRIP - LH	BN4-BJ8	DRF108	.	1
DR4070	PIPING - SHUT PILLAR COVER (PR)	BN1-BJ8	DRF115	249-880	1
DR4080	SCREW SET - ALUMINIUM (PER SIDE)	BN1-BJ8	DRF116	725-175	2
DR4090	STRIKER ASSEMBLY - ON SHUT PILLAR	BN1-BT7	DRF120	803-790	2
DR4100	SCREW - STRIKER PLATE	BN1-BT7	DRF121	726-115	8
DR4110	PLATE - DOOR LOCK (RH)	BJ7-BJ8	DRF126	803-865	1
DR4111	PLATE - DOOR LOCK (LH)	BJ7-BJ8	DRF127	803-835	1
DR4120	STRIKER ASSEMBLY - ON SHUT PILLAR (RH)	BJ7-BJ8	DRF130	803-755	1
DR4121	STRIKER ASSEMBLY - ON SHUT PILLAR (LH)	BJ7-BJ8	DRF131	803-765	1
DR4140	CABLE - DOOR PULL	BN1-BN2	DRF134	803-805	2
DR4150	LOCK ASSY - RH (IN DOOR)	BN1-BT7	DRF135	803-825	1
DR4151	LOCK ASSY - LH (IN DOOR)	BN1-BT7	DRF136	803-815	1
DR4160	KNOB - DOOR LOCK	BN1-BN2	DRF137	803-795	2
DR4170	FINISHER PLATE - DOOR CATCH	BN1-BT7	DRF139	805-180	2
DR4180	CHECK STRAP ASSY	BN1.5001-BN2	DRF142	806-745	2
DR4190	CHECK STRAP ASSY - RH	BN4-BJ8	DRF143	805-630	1

PART	DESCRIPTION	APP	AF	ALT	QPV
DR4191	CHECK STRAP ASSY - LH	BN4-BJ8	DRF144	805-620	1
DR4200	FRICTION DISC - CHECK STRAP	BN4-BJ8	DRF145	805-235	2
DR4210	CHROME SHOE - CHECK STRAP ASSY	BN4-BJ8	DRF146	806-815	2
DR4220	HINGE SCREW	BN1-BJ8	DRF150	323-235	16
DR4240	DOOR HINGE -TOP & BOTTOM (RH-PR)	BN1-BN1.B5000	DRF156	806-740	1
DR4241	DOOR HINGE -TOP & BOTTOM (LH-PR)	BN1-BN1.B5000	DRF157	806-750	1
DR4242	DOOR HINGE	BN1.B5000-BN2	DRF158	806-780	4
DR4243	DOOR HINGE	BN4.BN6.BN7&BT7	DRF159	031-425	4
DR4244	DOOR HINGE - UPPER	BJ7-BJ8	DRF159B	031-430	2
DR4250	DOOR HANDLE - EXTERIOR (RH)	BN4-BT7	DRF160	021-726	1
DR4251	DOOR HANDLE - EXTERIOR (LH)	BN4-BT7	DRF161	021-727	1
DR4252	DOOR HANDLE - EXTERIOR (RH)	BJ7-BJ8.26704	DRF162	021-728	1
DR4253	DOOR HANDLE - EXTERIOR (LH)	BJ7-BJ8.26704	DRF163	021-729	1
DR4254	DOOR HANDLE - EXT (COMPLETE)	BJ8.26705 ON	DRF164	.	2
DR4260	DOOR HANDLE - EXT (LESS KNOB)	BJ8.26705 ON	DRF165	021-730	2
DR4270	KNOB - DOOR HANDLE	BJ8.26705 ON	DRF166	031-775	2
DR4280	BARREL LOCK & KEY - DOOR HANDLE	BJ8.26705 ON	DRF166A	805-250	2
DR4290	GASKET - DOOR HANDLE	BN4-BJ8.26704	DRF167	698-110	2
DR4300	GASKET - DOOR HANDLE	BJ8.26705 ON	DRF168	698-115	2
DR4310	SPRING - DOOR HANDLE LEVER	BN4-BJ8.26704	DRF169	031-422	2
DR4311	PIN - HANDLE SECURING	BN4-BT7	DRF173	803-230	2
DR4320	DOOR HANDLE - INTERIOR	BN4-BT7	DRF174	803-900	2
DR4330	DOOR HANDLE - INTERIOR	BJ7-BJ8	DRF175	031-316	2
DR4340	ESCUTCHEON - INT DOOR HANDLE	BN4-BT7	DRF176	470-600	2
DR4350	ESCUTCHEON - INT DOOR HANDLE	BJ7-BJ8	DRF177	805-660	2
DR4360	WINDOW WINDER HANDLE	BJ7-BJ8	DRF180	031-318	2
DR4370	PLASTIC CROWN - WINDER HANDLE	BJ7-BJ8	DRF181	805-650	2
DR4380	SPRING - WINDER HANDLE	BJ7-BJ8	DRF182	031-320	2
DR4390	ESCUTCHEON - WINDER HANDLE	BJ7-BJ8	DRF183	805-640	2
DR4400	PULL HANDLE - DOOR & HOOD	BJ7-BJ8	DRF185	803-440	3
DR4401	SCREW - PULL HANDLE	BJ7-BJ8	DRF186	.	6

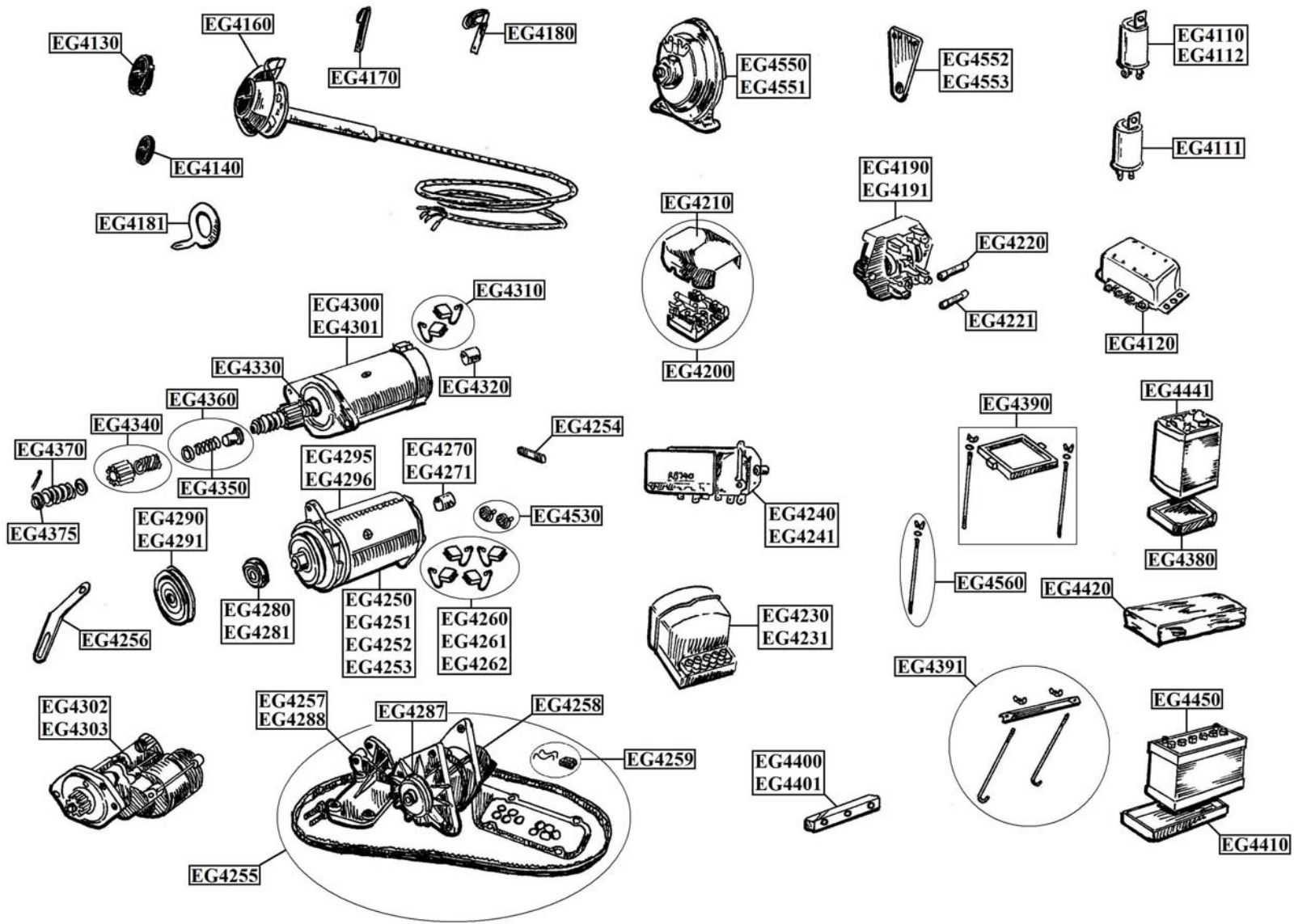




PART	DESCRIPTION	APP	AF	ALT	QPV	
DR4410	DOOR FINISHER - RH (CHROME)	BJ7-BJ8	DRF188	805-190	1	
DR4420	DOOR FINISHER - LH (CHROME)	BJ7-BJ8	DRF189	805-200	1	
DR4430	REAR SHROUD FINISHER - RH (CHROME)	BJ7-BJ8	DRF190	805-210	1	
DR4440	REAR SHROUD FINISHER - LH (CHROME)	BJ7-BJ8	DRF191	805-220	1	
DR4450	DRAUGHT EXCLUDER - CAR SET (BLACK)	BN1-BN2	DRF200	249-760	1	
DR4451	DRAUGHT EXCLUDER - CAR SET (BLUE)	BN1-BN2	DRF201	249-780	1	
DR4452	DRAUGHT EXCLUDER - CAR SET (RED)	BN1-BN2	DRF202	249-770	1	
DR4453	DRAUGHT EXCLUDER - CAR SET (GREEN)	BN1-BN2	DRF203	249-820	1	
DR4459	DRAUGHT EXCLUDER - NON FURFLEX ALT.	BN4-BJ8			1	
DR4460	DRAUGHT EXCLUDER - CAR SET (BLACK)	BN4-BJ8	DRF204	245-609	1	
DR4461	DRAUGHT EXCLUDER - CAR SET (BLUE)	BN4-BJ8	DRF205	249-857	1	
DR4462	DRAUGHT EXCLUDER - CAR SET (RED)	BN4-BJ8	DRF206	249-695	1	
DR4463	DRAUGHT EXCLUDER - CAR SET (GREEN)	BN4-BJ8	DRF207		1	
DR4464	DRAUGHT EXCLUDER - LONGBRIDGE	BN4	DRF208		1	
DR4465	RETAINING TRACK - DOOR SEAL (LB CARS)	BN4	DRF209		1	
DR4470	RETAINING CLIP - DRAUGHT EXCLUDER	BN4-BJ8	DRF210	326-175	40	
DR4480	FINISHER CLIP - DRAUGHT EXCLUDER	BN4-BJ8	DRF212	240-530	2	
DR4490	TOP SEAL ASSEMBLY - SHUT PILLAR (PR)	BJ7-BJ8	DRF214	803-875/885	1	
DR4501	QUARTER LIGHT TOP PIVOT - LH	BJ7-BJ8	DRF217	803-935	1	
DR4510	LOCKING QUARTER LIGHT HANDLE - RH	BJ7-BJ8	DRF218	803-845	1	
DR4511	LOCKING QUARTER LIGHT HANDLE - LH	BJ7-BJ8	DRF219	803-855	1	
DR4520	QUARTER LIGHT SURROUND RUBBER - RH	BJ7-BJ8	DRF220	682-090	1	
DR4521	QUARTER LIGHT SURROUND RUBBER - LH	BJ7-BJ8	DRF221	682-100	1	
DR4530	QUARTER LIGHT RUBBER BUFFER - RH	BJ7-BJ8	DRF222	681-008	1	
DR4531	QUARTER LIGHT RUBBER BUFFER - LH	BJ7-BJ8	DRF223	681-008	1	
DR4540	SCUTTLE SEAL - DOOR TO SEAL (PR)	BN2	DRF225	806-785	1	
DR4541	SCUTTLE SEAL - DOOR TO SEAL (PR)	BN4-BT7	DRF226	680-928	1	
DR4550	RUBBER SEAL - DOOR WINDOW (RH)	BJ7-BJ8	DRF230	282-390	1	
DR4551	RUBBER SEAL - DOOR WINDOW (LH)	BJ7-BJ8	DRF231	282-380	1	
DR4560	CLIP FOR DOOR WINDOW SEAL	BJ7-BJ8	DRF232	326-175	14	
DR4570	BRUSH SEAL - DOOR TO WINDOW	BJ7-BJ8	DRF235	682-030	2	

PART	DESCRIPTION	APP	AF	ALT	QPV	
DR4580	CLIP FOR BRUSH SEAL	BJ7-BJ8	DRF236	803-410	10	
DR4590	NYLON WINDOW RUNNER	BJ7-BJ8	DRF240	021-780	6	
DR4600	DOOR HANDLE BUFFER - RUBBER	BN4-BJ8.26704	DRF245	011-734	2	
DR4610	RETAINER CUP - LOCK BARREL	BJ8	DRF246	031-776	2	
DR4620	SPRING - DOOR HANDLE BUTTON	BJ8	DRF247	021-348	2	
DR4630	HOUSING BRACKET - DOOR LOCK (RH)	BN4-BT7	DRF248	031-420	1	
DR4631	HOUSING BRACKET - DOOR LOCK (LH)	BN4-BT7	DRF249	031-421	1	
DR4660	BRACKET SET - SCUTTLE SEAL	BN1-BN2	DRF252	805-185	1	
DR4670	QUARTER LIGHT PIVOT PIN - RH	BJ7-BJ8	DRF253	031-762	1	
DR4671	QUARTER LIGHT PIVOT PIN - LH	BJ7-BJ8	DRF254	031-761	1	
DR4690	PACKING PLATE - STRIKER (1.2MM)	BN1-BT7	DRF255	805-195	As Req	
DR4691	PACKING PLATE - STRIKER (5MM)	BN1-BT7	DRF255A	805-195	As Req	
DR4700	TAPPED PLATE - DOOR STRIKER	BN1-BT7	DRF256	805-155	2	
DR4710	REAR GLASS CHANNEL - RH	BJ7-BJ8	DRF257		1	
DR4711	REAR GLASS CHANNEL - LH	BJ7-BJ8	DRF258		1	
DR4720	GLASS CHANNEL ASSEMBLY SET (NOT HANDED)	BJ7-BJ8	DRF259		2	
DR4730	PACKING PLATE - DOOR STRIKER	BJ7-BJ8	DRF263	021-347	As Req	
DR4740	TAPPED PLATE - DOOR STRIKER	BJ7-BJ8	DRF264	021-349	2	
DR4760	CONTACTOR - DOOR LOCK (RH)	BJ8	DRF267	804-015	1	
DR4761	CONTACTOR - DOOR LOCK (LH)	BJ8	DRF268	804-005	1	

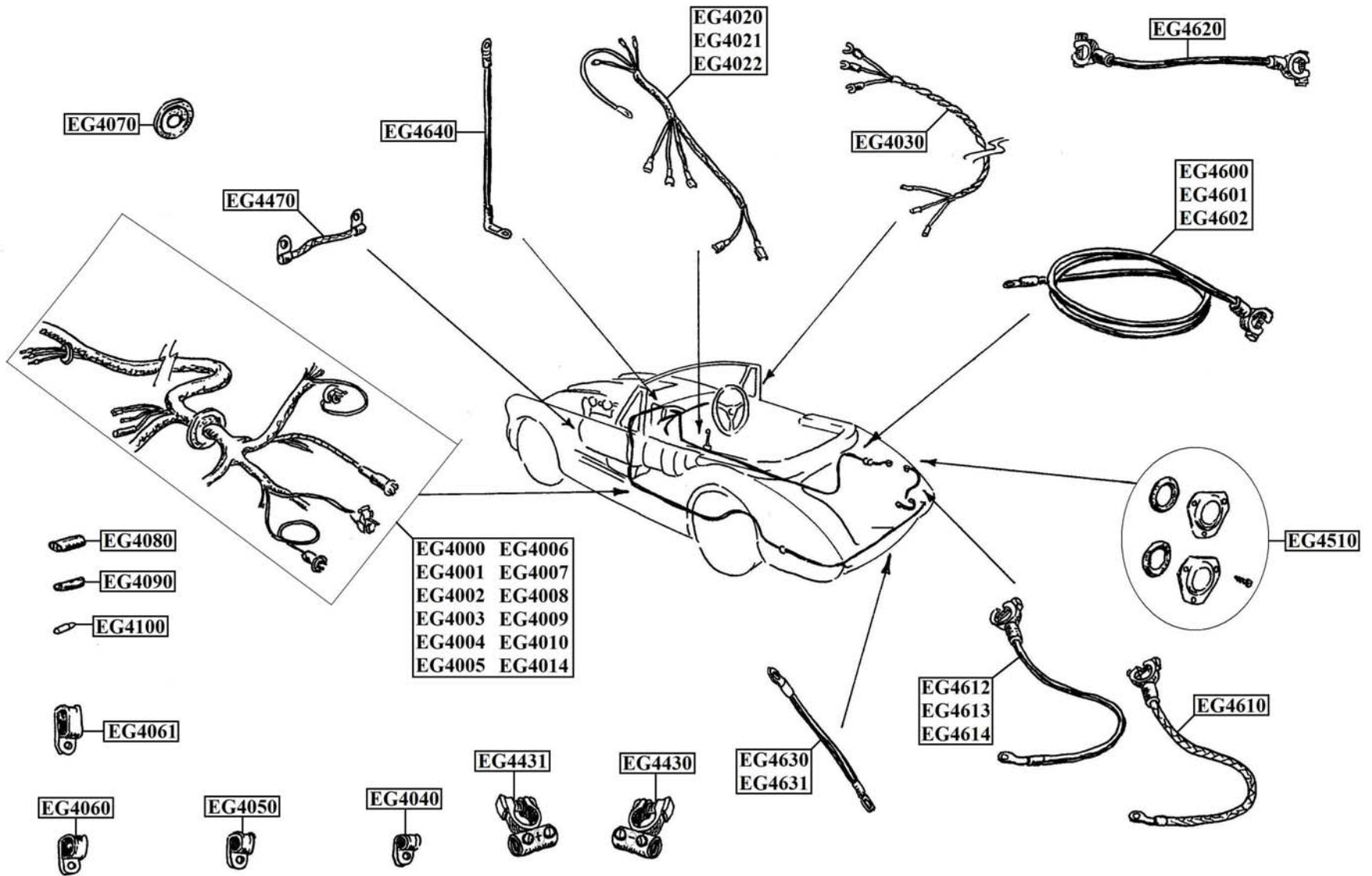




PART	DESCRIPTION	APP	AF	ALT	QPV	
EG4001	WIRING HARNESS - COTTON/PVC	BN2	ELG111	356-320	1	
EG4002	WIRING HARNESS - COTTON/PVC	BN4	ELG112	356-330	1	
EG4003	WIRING HARNESS - COTTON/PVC	BN6-BJ7	ELG113	346-340	1	
EG4004	WIRING HARNESS - COTTON/PVC	BJ8-BJ8.31336	ELG114	356-345	1	
EG4005	WIRING HARNESS - COTTON/PVC	BJ8.31337	ELG115	356-355	1	
EG4006	WIRING HARNESS - COTTON BRAIDED	BN1	ELG116	357-170	1	
EG4007	WIRING HARNESS - COTTON BRAIDED	BN2	ELG117	357-180	1	
EG4008	WIRING HARNESS - COTTON BRAIDED	100S	ELG117S	.	1	
EG4009	WIRING HARNESS - COTTON BRAIDED	BN4	ELG118	357-185	1	
EG4010	WIRING HARNESS - COTTON BRAIDED	BN6,BN7&BT7	ELG119	357-190	1	
EG4014	HARNESS -MAIN FRT TO REAR (COTTON/PVC)	BN4-BJ8	.	.	1	
EG4020	OVERDRIVE HARNESS - COTTON COVERED	BN1	ELG120	356-395	1	
EG4021	OVERDRIVE HARNESS - COTTON COVERED	BN2-BJ7	ELG121	356-425	1	
EG4022	OVERDRIVE HARNESS - COTTON COVERED	BJ8	ELG122	356-420	1	
EG4030	WIRING HARNESS - STEERING COLUMN	BN1-BJ8	ELG124	356-410	1	
EG4040	CLIP - WIRING HARNESS (SMALL)	BN1-BJ8	ELG125	470-380	As Req	
EG4050	CLIP - WIRING HARNESS (MEDIUM)	BN1-BJ8	ELG126	162-250	As Req	
EG4060	CLIP - WIRING HARNESS (LARGE)	BN1-BJ8	ELG127	162-280	As Req	
EG4061	CLIP - WIRING HARNESS (MAIN HARNESS)	BN1-BJ8	ELG127A	162-345	As Req	
EG4070	GROMMET - WIRING HARNESS	BN1-BJ8	ELG128	682-205	1	
EG4080	SINGLE CONNECTOR	BN1-BJ8	ELG131	162-000	As Req	
EG4090	DOUBLE CONNECTOR	BN1-BJ8	ELG132	161-600	As Req	
EG4100	BULLET - WIRING CONNECTOR	BN1-BJ8	ELG133	162-200	As Req	
EG4110	FLASHER UNIT - SCREW TERMINALS	BN1-BJ7	ELG136	141-750	1	
EG4111	FLASHER UNIT - PUSH ON CONNECTOR	BJ8	ELG137	171-300	1	
EG4112	FLASHER UNIT-LUCAS (SCREW TERMINAL)	BN1-BJ7	.	.	1	
EG4120	FLASHER RELAY	BN1-BJ8(B)76137	ELG139	141-400	1	
EG4130	HORN BUTTON & PLATE - NON ADJ.	BN4-BJ8	ELG142	021-249	1	
EG4140	HOR/INDICATOR ASSEMBLY - ADJ.	BN4-BJ8	ELG143	853-810	1	
EG4160	HORN BUTTON - ADJ. COLUMN	BN4-BJ8	ELG147	.	1	
EG4170	TRAFFICATOR LEVER - BLACK (EARLY)	BN1	ELG147A	021-242	1	

PART	DESCRIPTION	APP	AF	ALT	QPV	
EG4180	TRAFFICATOR LEVER - CHROME (ADJ.ONLY)	BN4-BJ8	ELG148	.	1	
EG4181	SELF-CANCELLING LEVER (NON-ADJ.)	BN1-BJ8	ELG150	.	1	
EG4190	FUSE BOX	BN1-BJ7	ELG155	162-500	1	
EG4191	FUSE BOX - ORIGINAL LUCAS	BN1-BJ7	.	.	1	
EG4200	FUSE BOX	BJ8	ELG156	560-100	1	
EG4210	COVER - FUSE BOX	BJ8	ELG157	560-110	1	
EG4220	FUSE - 35 AMP	AR	ELG159	146-700	As Req	
EG4221	FUSE - 50 AMP	AR	ELG160	146-800	As Req	
EG4230	VOLTAGE CONTROL BOX	BN1-BJ7	ELG163	142-000	1	
EG4231	VOLTAGE CONTROL BOX - ORIG LUCAS	BN1-BJ7	ELG163	142-000	1	
EG4240	VOLTAGE CONTROL BOX	BJ8	ELG164	142-050	1	
EG4241	VOLTAGE CONTROL BOX - ORIG LUCAS	BJ8	ELG164	540-370	1	
EG4250	DYNAMO - REBUILT (EXCHANGE)	BN1-BJ7	ELG170	.	1	
EG4251	DYNAMO - REBUILT (OUTRIGHT SALE)	BN1-BJ7	ELG170N	.	1	
EG4252	DYNAMO - REBUILT (EXCHANGE)	BJ8	ELG171	540-380	1	
EG4253	DYNAMO - REBUILT (OUTRIGHT SALE)	BJ8	ELG171N	.	1	
EG4254	STUD - DYNAMO BRACKET	BN1-BN2	CELG172S	.	4	
EG4255	ALTERNATOR KIT - 45 AMP (NEG. EARTH)	BN4-BJ8	COM180	.	1	
EG4256	ADJ. STRAP - ALTERNATOR - NYLON	BN4-BJ8	CELG172	.	1	
EG4257	ALTERNATOR BRACKET - ALUMINIUM	BN4-BJ8	CENG775	.	1	
EG4258	ALTERNATOR - 45 AMP	BN4-BJ8	.	.	1	
EG4259	CONNECTOR PLUG - ALT WIRING	BN4-BJ8	.	.	1	
EG4260	DYNAMO BRUSH SET	BN1-BN6	ELG173	872-470	1	
EG4261	DYNAMO BRUSH SET	BN7&BT7-BJ7	ELG174	011-264	1	
EG4262	DYNAMO BRUSH SET	BJ8	ELG175	873-665	1	
EG4270	DYNAMO BUSH - COMMUTATOR END	BN1-BJ7	ELG177	330-050	1	
EG4271	DYNAMO BUSH - COMMUTATOR END	BJ8	ELG178	873-625	1	
EG4280	DYNAMO BEARING - DRIVE END	BN1-BJ7	ELG180	125-200	1	
EG4281	DYNAMO BEARING - DRIVE END	BJ8	.	.	1	
EG4287	ALTERNATOR PULLEY	BN1-BN2	XPCELG169	.	1	
EG4288	ALTERNATOR BRACKET - ALUMINIUM	BN1-BN2	CELG172A	.	1	

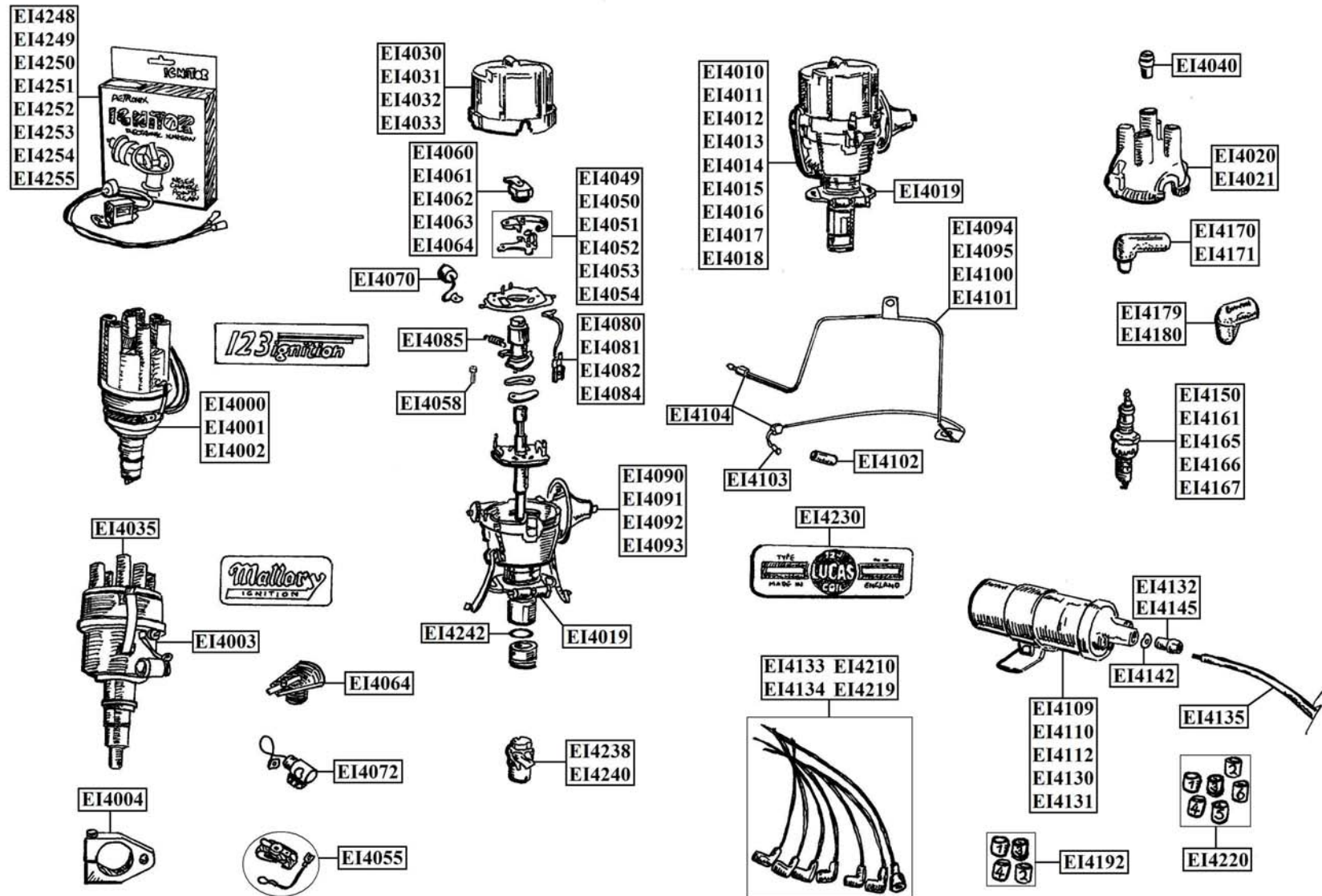




PART	DESCRIPTION	APP	AF	ALT	QPV	
EG4290	DYNAMO PULLEY	BN1-BN2	ELG186	031-402	1	
EG4291	DYNAMO PULLEY (1/2")	BJ8	ELG188	031-304	1	
EG4295	DYNALITE - ALT IN DYNAMO BODY (- EARTH)	BN1-BJ7	.	.	1	
EG4300	STARTER MOTOR - REBUILT (EXCHANGE)	BN1-BJ8	ELG190	540-410	1	
EG4301	STARTER MOTOR -REBUILT (OUTRIGHT SALE)	BN1-BJ8	ELG190N	.	1	
EG4302	GEAR REDUCTION STARTER MOTOR	BN1-BJ8	COM183	.	1	
EG4303	GEAR REDUCTION STARTER MOTOR -THIN RING GEAR	BN1-BJ8	.	.	1	
EG4310	STARTER BRUSH SET	BN1-BJ8	ELG191	149-600	1	
EG4320	STARTER BUSH - COMMUTATOR END	BN1-BJ8	ELG192	149-400	1	
EG4330	STARTER BUSH - DRIVE END	BN1-BJ8	ELG193	150-300	1	
EG4340	STARTER PINION	BN1-BJ8	ELG195	149-500	1	
EG4350	STARTER SPRING	BN1-BJ8	ELG196	.	1	
EG4360	STARTER SPRING - RETURN & TUBE ETC.	BN1-BJ8	ELG197	149-710	1	
EG4370	STARTER SPRING - PINION MAIN	BN1-BJ8	ELG198	150-400	1	
EG4375	NUT - ARMATURE (STARTER)	BN1-BJ8	.	.	1	
EG4380	BATTERY TRAYS - 6 VOLT	BN1-BN2&BN6&BN7	ELG200	806-430	2	
EG4390	BATTERY CLAMP ASSY. - NON-ORIG.	BN1-BN2&BN6&BN7	ELG203	.	2	
EG4391	BATTERY CLAMP ASSY.	BN4,BT7,BJ7&BJ8	ELG204	031-769	1	
EG4400	BATTERY SUPPORT - WOOD (33 X 7.5 X 5)	AR	ELG205	031-411	As Req	
EG4401	BATTERY SUPPORT - WOOD (33 X 3 X 2)	AR	ELG206	031-411	As Req	
EG4410	BATTERY TRAY - 12 VOLT	BN4,BT7,BJ7&BJ8	ELG207	031-308	1	
EG4420	BATTERY COVER	BN4,BT7,BJ7&BJ8	ELG210	031-311	1	
EG4428	CLAMP - BATTERY (NEG) ORIG. TOP HAT	BN1-BJ8	.	.	1	
EG4429	CLAMP - BATTERY (POS) ORIG. TOP HAT	BN1-BJ8	.	.	1	
EG4430	TERMINAL - NEGATIVE	BN1-BJ8	ELG213	.	As Req	
EG4431	TERMINAL - POSITIVE	BN1-BJ8	ELG214	.	As Req	
EG4434	BATTERY CLAMP - BRASS (ISOLATOR SWITCH)	BN1-BJ8	.	.	As Req	
EG4441	BATTERY -6 VOLT 13 PLATE (HEAVY DUTY)w/o LUGS	BN1,BN2,BN6&BN7	ELG216	459-415	2	
EG4450	BATTERY - 12 VOLT 13 PLATE (HEAVY DUTY)	BN4,BT7,BJ7&BJ8	ELG217	459-400	1	
EG4470	CABLE - ENGINE EARTH	BN1-BJ8	ELG222	736-220	1	
EG4510	RETAINING CAP & GROMMET - CABLE	BN4-BJ8	ELG227	680-295	1	

PART	DESCRIPTION	APP	AF	ALT	QPV	
EG4530	TENSION SPRING - DYNAMO BRUSH (PR)	BN1-BJ7	ELG229	549-020	1	
EG4550	HORN - LOW NOTE	BN1-BJ8	ELG223	.	1	
EG4551	HORN - HIGH NOTE	BN1-BJ8	ELG224	.	1	
EG4552	MOUNTING BRACKET - ORIGINAL HORN	BN1-BT7	.	.	2	
EG4553	MOUNTING BRACKET - HORN	BJ7-BJ8	.	.	2	
EG4560	BATTERY ROD - INCL. W/NUT (ORIG. BATTERY)	BN1,BN2,BN6&BN7	ELG232	807-015	4	
EG4600	CABLE - BATTERY TO SOLENOID (NEG.)	BN1,BN2,BN6&BN7	ELG235	736-190	1	
EG4601	CABLE - BATTERY TO SOLENOID (NEG.)	BN4,BT7,BJ7&BJ8	ELG236	736-200	1	
EG4602	CABLE - BATTERY TO SOLENOID (POS.)	BN4,BT7,BJ7&BJ8	.	.	1	
EG4610	CABLE - BATTERY TO MASTER SWITCH	BN1-BN2	ELG219	.	1	
EG4612	CABLE - BATTERY TO M/SWITCH (POS.)	BN6&BN7	ELG238	332-010	1	
EG4613	CABLE - BATTERY TO M/SWITCH (POS.)	BN4,BT7,BJ7&BJ8	ELG239	736-180	1	
EG4620	CABLE - BATTERY LINK	BN1,BN2,BN6&BN7	ELG240	736-130	1	
EG4630	CABLE - MASTER SWITCH TO EARTH	BN1-BN2	ELG242	736-230	1	
EG4631	CABLE - MASTER SWITCH TO EARTH	BN4-BJ8	ELG243	736-240	1	
EG4640	CABLE - SOLENOID TO STARTER	BN1-BJ8	ELG245	332-140	1	

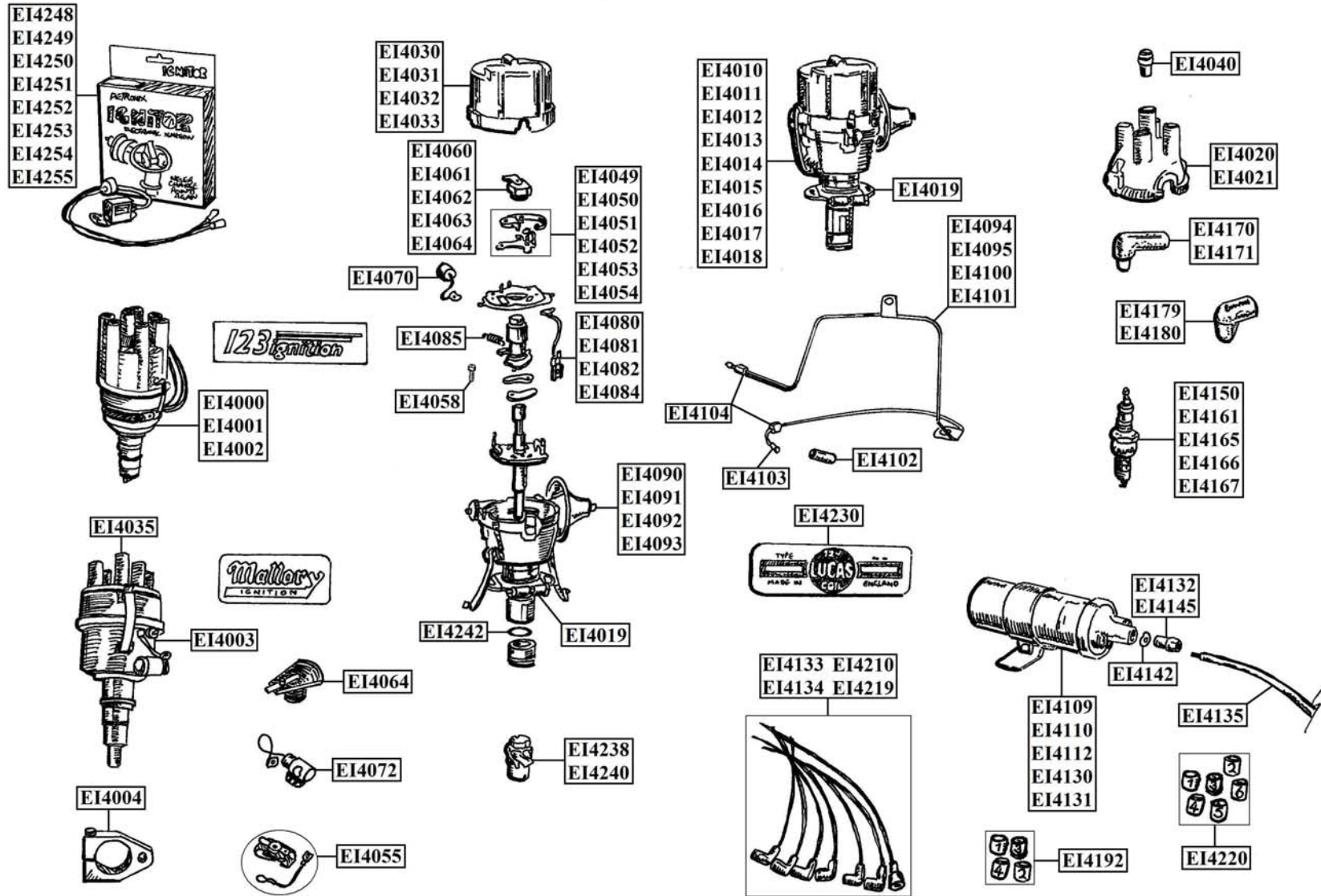




PART	DESCRIPTION	APP	AF	ALT	QPV
EI4000	DISTRIBUTOR - ELECTRONIC '123' IGNITION	BN1-BN2	.	.	1
EI4001	DISTRIBUTOR - ELECTRONIC '123' IGNITION	BN4-BJ7	.	.	1
EI4002	DISTRIBUTOR - ELECTRONIC '123' IGNITION	BJ8	.	.	1
EI4003	DISTRIBUTOR - MALLORY	BN1-BN2	CELI101M	.	1
EI4004	CLAMP - DISTRIBUTOR (MALLORY)	BN1-BN2	CELI140CL	.	1
EI4010	DISTRIBUTOR - REBUILT (OUTRIGHT)	BN1-BN2	ELI101	143-025	1
EI4011	DISTRIBUTOR - REBUILT (OUTRIGHT) LE MANS	100M	ELI101A	143-045	1
EI4012	DISTRIBUTOR - REBUILT (OUTRIGHT) NON-ORIG	BN4-BJ7	ELI102	143-060	1
EI4013	DISTRIBUTOR - REBUILT (OUTRIGHT) ORIG BODY	BN4-BJ7	ELI102A	143-050	1
EI4014	DISTRIBUTOR - REBUILT (OUTRIGHT)	BJ8	ELI104	143-070	1
EI4015	DISTRIBUTOR - RECON. (EXCH. ONLY)	BN1-BN2	ELI105	143-035	1
EI4016	DISTRIBUTOR - RECON. (EXCH. ONLY) LE MANS	100M	ELI106	143-065	1
EI4017	DISTRIBUTOR - RECON. (EXCH. ONLY)	BN4-BJ7	ELI107	143-050	1
EI4018	DISTRIBUTOR - RECON. (EXCH. ONLY)	BJ8	ELI108	143-070	1
EI4019	CAMP & BOLT ASSEMBLY - DISTRIBUTOR	BN1-BJ8	.	.	1
EI4020	CAP - DISTRIBUTOR	BN1-BN2	ELI110	.	1
EI4021	CAP - DISTRIBUTOR (SCREW IN LEADS)	BN1-BN2	ELI110A	874-095	1
EI4030	CAP - DISTRIBUTOR	BN4-BJ7(E)29F3562	ELI111	872-802	1
EI4031	CAP - DISTRIBUTOR	BJ7(E)29F3563 ON	ELI112	874-060	1
EI4032	CAP - DISTRIBUTOR (LUCAS)	BN4-BJ7	ELI111	.	1
EI4033	CAP - DISTRIBUTOR (LUCAS)	BJ8	ELI112	874-060	1
EI4035	CAP - DISTRIBUTOR (MALLORY)	BN4-BJ8	CELI112M	.	1
EI4040	ACORN NUT - DIST. CAP	BN1-BN2	ELI114	152-510	4
EI4049	CONTACT SET (LUCAS)	BJ8	.	.	1
EI4050	CONTACT SET	BN1-BN2	ELI116	551-000	1
EI4051	CONTACT SET	BN4-BJ7(E)29F3562	ELI117	872-861	1
EI4052	CONTACT SET (LUCAS)	BN4-BJ7(E)29F3562	ELI117A	.	1
EI4053	CONTACT SET	BJ7(E)29F3563 ON	ELI118	153-900	1
EI4054	CONTACT SET - (UK MADE)	BJ7(E)29F3563 ON	ELI118	153-900	1
EI4055	POINT SET - MALLORY DISTRIBUTOR	BN4-BJ8	CELI118M	.	2
EI4060	ROTOR ARM	BN1-BN2	ELI120	151-710	1

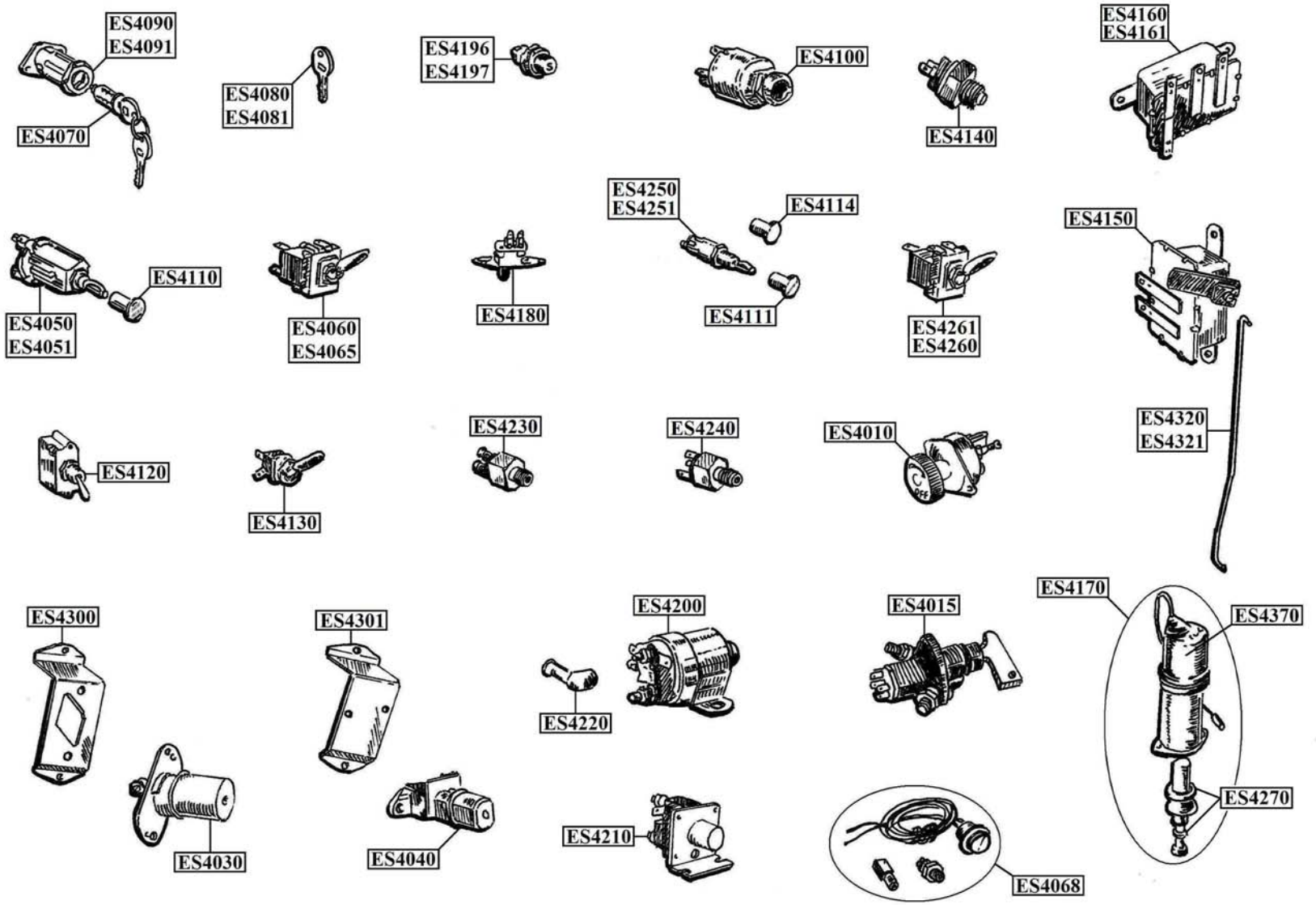
PART	DESCRIPTION	APP	AF	ALT	QPV
EI4062	ROTOR ARM (LUCAS)	BN4-BJ8	ELI122	872-795	1
EI4064	ROTOR ARM - MALLORY	BN1-BJ8	CELI121M	.	1
EI4070	CONDENSER	BN1-BJ8	ELI124	154-000	1
EI4072	CONDENSOR - MALLORY	BN1-BJ8	.	.	2
EI4080	L.T. TERM NYLON BUSH & LEAD (LUCAS TERM)	BN1-BN2	ELI126	560-450	1
EI4081	L.T. TERMINAL NYLON BUSH & LEAD	BJ7(E)29F3563 ON	ELI128	153-640	1
EI4082	L.T. TERMINAL NYLON BUSH & LEAD	BJ8	ELI128A	153-640	1
EI4084	L.T. TERMINAL NYLON BUSH & LEAD (LUCAS)	BJ8	ELI128A	153-640	1
EI4085	DISTRIBUTOR SPRING SET- UNIVERSAL	BN1-BJ8	CELI123	.	1
EI4090	VACUUM ADVANCE UNIT (EXCHANGE)	BN1-BN2	ELI129	551-040	1
EI4091	VACUUM ADVANCE UNIT - LE MANS	BN1-BN2	ELI129A	551-025	1
EI4092	VACUUM ADVANCE UNIT (EXCHANGE)	BN4-BJ7(E)29F3562	ELI129B	560-510	1
EI4093	VACUUM ADVANCE UNIT	BJ7(E)29F3563 ON	ELI130	560-530	1
EI4094	VACUUM CONTROL PIPE	BN4-MK1(E)29E-H101	ELI131	.	1
EI4095	VACUUM CONTROL PIPE	BN1-BN2	.	.	1
EI4100	VACUUM CONTROL PIPE	MK2-ALL	ELI132	021-952	1
EI4101	VACUUM CONTROL PIPE	BJ8	ELI133	163-575	1
EI4102	CONNECTION RUBBER	BN7&BT7.MK2-BJ8	ELI134	153-830	1 OR 2
EI4103	NIPPLE - VACUUM CONTROL PIPE (BRASS)	BN1-BJ8	ENG779A	.	1
EI4104	NUT - VACUUM CONTROL PIPE (BRASS)	BN1-BJ8	ENG779B	.	1
EI4109	IGNITION COIL - SUBSTITUTE TYPE	BN1-BJ8	.	.	1
EI4110	IGNITION COIL - SCREW FITTING (BLACK TOP)	BN1-BJ8	ELI140	543-020	1
EI4112	IGNITION COIL - PUSH FIT (LUCAS)	BN4-BJ8	.	.	1
EI4130	IGNITION COIL - PUSH IN FITTING	BN4-BJ8	ELI141	143-220	1
EI4131	IGNITION COIL - SPORTS	BN4-BJ8	ELI141A	143-220	1
EI4132	ACORN NUT - COIL	BN1-BJ8	ELI142	152-400	1
EI4133	LEAD SET - IGNITION (COMPETITION)	BN1-BN2	COM199	.	1
EI4134	LEAD SET - IGNITION (COMPETITION)	BN4-BJ8	COM200	.	1
EI4135	H.T.LEAD - PER METRE (COMPETITION)	BN1-BJ8	CELI150	.	As Req
EI4142	ACORN WASHER	BN1-BJ8	ELI143	146-310	As Req
EI4145	CONNECTOR KIT - PUSH FIT COIL	ALL	.	.	1





PART	DESCRIPTION	APP	AF	ALT	QPV	
EI4150	SPARK PLUG	BN1-BN2	ELI145	152-120	4	
EI4161	SPARK PLUG	BN4-BJ8	ELI146	860-051	4	
EI4165	SPARK PLUG (NGK) HIGH PERFORMANCE	BN1-BN2	COM171	.	4	
EI4166	SPARK PLUG (NGK) HIGH PERFORMANCE	BN4-BJ8	COM172	.	6	
EI4167	SPARK PLUG (NGK) VX PLATINUM	BN4-BJ8	COM173	.	6	
EI4170	PLUG CAP - RIGHT ANGLE (NGK)	AR	ELI147	.	As Req	
EI4171	PLUG CAP - RIGHT ANGLE (LUCAS TYPE)	AR	ELI148	171-620	As Req	
EI4179	PLUG CAP - GENUINE CHAMPION - STRAIGHT	BN1-BN4	.	.	4 OR 6	
EI4180	PLUG CAP - RIGHT ANGLE (GENUINE CHAMPION)	AR	ELI149A	171-625	As Req	
EI4190	H.T. LEAD - PER METRE	BN4-BJ8	ELI150	171-637	As Req	
EI4192	SLEEVE SET - IGN. LEADS (1-4)	BN1-BN2	ELI151	171-630	1	
EI4210	IGNITION LEAD SET - 6 CYL.	BN4-BJ8	ELI152	.	1	
EI4219	IGNITION LEAD SET - 4 CYL	BN1-BN2	.	.	1	
EI4220	SLEEVE SET - IGN. LEADS (1-6)	BN4-BJ8	ELI153	171-640	1	
EI4230	LUCAS LABEL - IGN. COIL	AR	ELI154	215-630	As Req	
EI4238	DRIVE GEAR - DISTRIBUTOR (USED)	BN1-BN2	ELI156	.	1	
EI4240	GEAR - TACHOMETER DRIVE	BN4-BJ7	ELI157	021-330	1	
EI4242	O' RING- DISTRIBUTOR BODY	BN1-BJ7	.	.	1	
EI4248	IGNITOR IGNITION KIT - POS. EARTH	BN1-BN2 (100M)	.	.	1	
EI4249	IGNITOR IGNITION KIT - NEG. EARTH	BN1-BN2 (100M)	.	.	1	
EI4250	IGNITOR IGNITION KIT - POS. EARTH	BN1-BN2	ELI180	.	1	
EI4251	IGNITOR IGNITION KIT - POS. EARTH	BN4-BJ7(E)29F3562	ELI181	.	1	
EI4252	IGNITOR IGNITION KIT - POS. EARTH	BJ7(E)29F3563 ON	ELI182	.	1	
EI4253	IGNITOR IGNITION KIT - NEG. EARTH	BN1-BN2	ELI184	.	1	
EI4254	IGNITOR IGNITION KIT - NEG. EARTH	BN4-BJ7(E)29F3562	ELI185	.	1	
EI4255	IGNITOR IGNITION KIT - NEG. EARTH	BJ7.E29F3563-BJ8	ELI186	.	1	

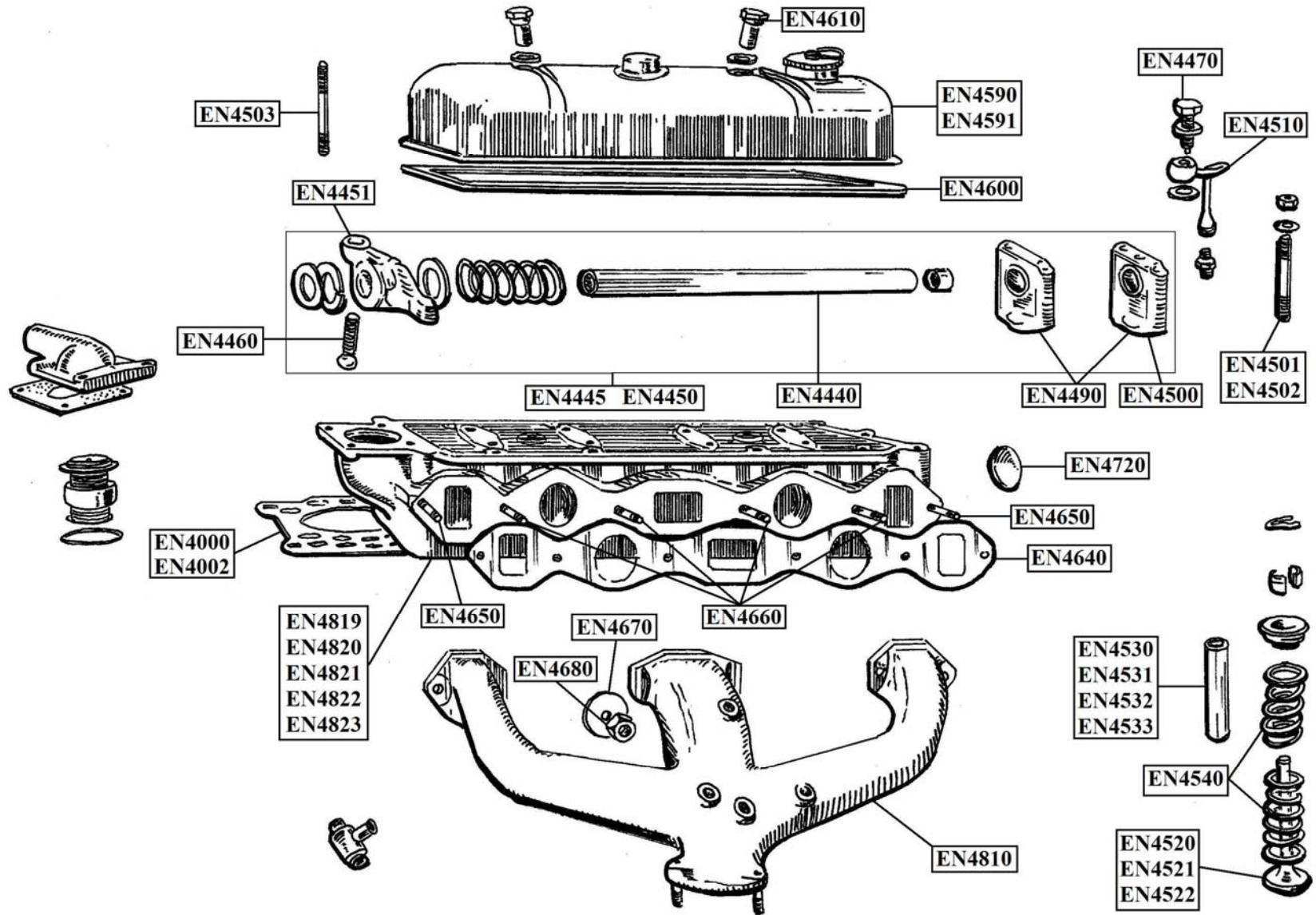




PART	DESCRIPTION	APP	AF	ALT	QPV	
ES4010	BATTERY MASTER SWITCH	BN1-BJ8	ELS101	.	1	
ES4015	BATTERY CUT OFF SWITCH (COMP)	AR	CELS101A	.	1	
ES4030	DIP SWITCH - HEADLIGHT (LUCAS)	BN1-BJ7	ELS105	140-900	1	
ES4040	DIP SWITCH - HEADLIGHT	BJ8	ELS106	542-130	1	
ES4050	HEAD & SIDELIGHT SWITCH (UK MADE)	BN1-BJ7	ELS108	140-500	1	
ES4051	HEAD & SIDELIGHT SWITCH (GENUINE LUCAS)	BN1-BJ7	.	.	1	
ES4060	HEAD & SIDELIGHT SWITCH	BJ8	ELS109	141-230	1	
ES4065	HEAD & SIDE LIGHT SWITCH (LUCAS)	BJ8	ELS109	141-230	1	
ES4070	IGNITION KEY & BARREL	BN1-BJ8	ELS110	163-500	1	
ES4080	IGNITION KEY BLANK - F.S.	BN1-BJ8	ELS111	.	As Req	
ES4081	IGNITION KEY BLANK - F.P.	BN1-BJ8	ELS112	.	As Req	
ES4090	IGN. SWITCH - LESS BARREL & KEYS	BN1-BJ7	ELS113	141-300	1	
ES4091	IGN. SWITCH - LESS BARREL & KEYS (LUCAS)	BN1-BJ7	.	.	1	
ES4100	IGN. SWITCH - LESS BARREL & KEYS	BJ8	ELS114	140-530	1	
ES4110	KNOB - L (ORIG.)	BN1-BJ7	ELS115	633-630	1	
ES4111	KNOB - W (ORIG.)	BN1-BJ7	ELS116	633-620	1	
ES4114	KNOB - PLAIN	BN1-BJ8	ELS119	.	1	
ES4120	OVERDRIVE SWITCH - DASH	BN2-BJ7	ELS123	141-240	1	
ES4130	OVERDRIVE SWITCH - DASH	BJ8	ELS124	141-210	1	
ES4140	OVERDRIVE INHIBITOR SWITCH	BN2-BJ8	ELS130	140-470	1	
ES4150	THROTTLE SWITCH - OVERDRIVE (INCLUDES LEVER)	BN1-BJ8	ELS131	141-050	1	
ES4160	OVERDRIVE RELAY	BN1-BJ7	ELS132	542-460	1	
ES4161	OVERDRIVE RELAY	BJ8	ELS133	542-170	1	
ES4170	OVERDRIVE SOLENOID	BN1-BJ8	ELS136	145-720	1	
ES4180	PANEL LIGHT SWITCH - SCREW CONNECTORS	BN1-BJ7	ELS140	140-520	1	
ES4196	STARTER BUTTON	BN1-BJ7	ELS144	872-092	1	
ES4197	STARTER BUTTON - ORIGINAL LUCAS WITH "S"	BN1-BJ7	ELS144	546-020	1	
ES4200	STARTER SOLENOID	BN1-BJ7	ELS146	546-150	1	
ES4210	STARTER SOLENOID	BJ8	ELS147	.	1	
ES4220	RUBBER BOOT - SOLENOID TERMINAL	AR	ELS148	546-025	As Req	
ES4230	STOP LIGHT SWITCH - NON SERVO (SCREW TERM)	BN1-BJ7	ELS149	141-700	1	

PART	DESCRIPTION	APP	AF	ALT	QPV	
ES4240	STOP LIGHT SWITCH - SERVO	BJ8	ELS152	560-480	1	
ES4244	OIL PRESSURE INDICATOR LIGHT KIT	ALL	CELS190K	.	As Req	
ES4250	WIPER SWITCH	BN1-BJ7	ELS155	162-100	1	
ES4251	WIPER SWITCH (GENUINE LUCAS)	BN1-BJ7	.	.	1	
ES4260	WIPER SWITCH	BJ8	ELS156	141-530	1	
ES4261	WIPER SWITCH (LUCAS TYPE)	BJ8	ELS156	.	1	
ES4265	SWITCH BEZEL TOOL - LUCAS (2-PEG DRIVE)	BN1-BJ8	.	.	1	
ES4270	PLUNGER & GAITER - SOLENOID	BN1-BJ8	ELS157	141-530	1	
ES4300	DIP SWITCH MOUNTING BRACKET	BN4-BJ7	ELS159	542-145	1	
ES4301	DIP SWITCH MOUNTING BRACKET	BJ8	ELS160	542-155	1	
ES4320	LINK ROD - THROTTLE SWITCH	BN1-BN2	ELS161	.	1	
ES4321	LINK ROD - THROTTLE SWITCH	BN4-BJ8	ELS162	.	1	
ES4350	CENTRIFUGAL SWITCH - OVERDRIVE	BN1	ELS165	031-367	1	
ES4360	SWITCH - PUSH BUTTON - 2 WAY (LUCAS)	ALL	.	.	1	
ES4370	RUBBER BOOT - SOLENOID	BN1-BJ8	ELS168	680-210	1	

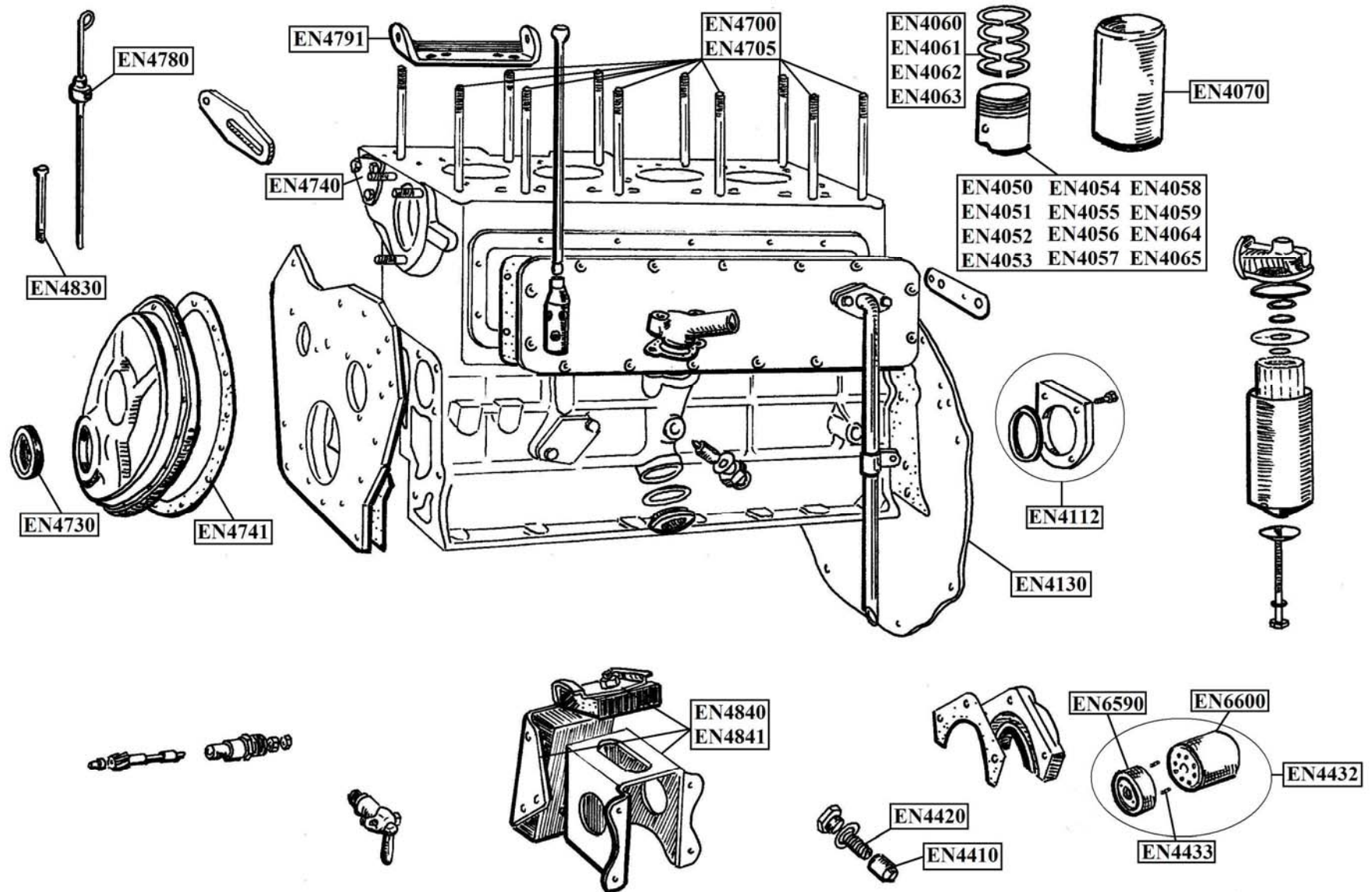




PART	DESCRIPTION	APP	AF	ALT	QPV
EN4001	GASKET SET - BOTTOM END	BN1-BN2	ENG402	021-052	1
EN4002	HEAD GASKET - COMPOSITE	BN1-BN2	CENG401A	.	1
EN4010	CON ROD - USED ONLY	BN1-BN2	ENG403	031-203	4
EN4011	STEEL CON ROD SET - H SECT (FORGED) STEEL CRANK ONLY	BN1-BN2	CENG432R	.	1
EN4020	BOLT - CON ROD (PR)	BN1-BN2	1K2808	.	4
EN4030	NUT - BIG END	BN1-BN2	ENG405	310-880	8
EN4040	BOLT - SMALL END	BN1-BN2	ENG406	320-465	4
EN4041	SPRING WASHER - SMALL END BOLT	BN1-BN2	ENG406A	324-040	4
EN4050	PISTON ASSY X 4 - STD	BN1-BN2	ENG407	021-100	1
EN4051	PISTON ASSY X 4 - +.020'	BN1-BN2	ENG408	021-101	1
EN4052	PISTON ASSY X 4 - +.030'	BN1-BN2	ENG409	021-102	1
EN4053	PISTON ASSY X 4 - +.040'	BN1-BN2	ENG410	021-103	1
EN4054	PISTON ASSY X 4 - +.060'	BN1-BN2	ENG411	.	1
EN4055	PISTON ASSY X 4 - HIGH COMPRESSION - STD	100M	ENG412	021-110	1
EN4056	PISTON ASSY X 4 - HIGH COMPRESSION - +.020	100M	ENG412A	021-111	1
EN4057	PISTON ASSY X 4 - HIGH COMPRESSION - +.030	100M	ENG412B	021-112	1
EN4058	PISTON ASSY X 4 - HIGH COMPRESSION - +.040	100M	ENG412C	021-113	1
EN4059	PISTON ASSY X 4 - HIGH COMPRESSION - +.060	100M	ENG412D	.	1
EN4060	PISTON RING SET - STD	BN1-BN2	ENG412G	021-310	1
EN4061	PISTON RING SET - +.020	BN1-BN2	ENG413	021-311	1
EN4062	PISTON RING SET - +.030	BN1-BN2	ENG414	021-312	1
EN4063	PISTON RING SET - +.040	BN1-BN2	ENG415	021-313	1
EN4064	PISTON SET - DIE CAST (OMEGA 8.5:1) 88MM	BN1-BN2	CENG409	.	1
EN4065	PISTON SET - FORGED (OMEGA 10.5:1) FLAT TOP	BN1-BN2	CENG409F	.	1
EN4070	CYLINDER LINER	BN1-BN2	ENG417	826-000	4
EN4074	BIG END BEARING SET - +.020 (UK MADE)	BN1-BN2	ENG420A	.	1
EN4078	BIG END BEARING SET - +.060 (UK MADE)	BN1-BN2	.	.	1
EN4080	BIG END BEARING SET - STD	BN1-BN2	ENG418	550-040	1
EN4081	BIG END BEARING SET - +.010	BN1-BN2	ENG419	550-041	1
EN4082	BIG END BEARING SET - +.020	BN1-BN2	ENG420	021-030	1
EN4083	BIG END BEARING SET - +.030	BN1-BN2	ENG421	021-031	1

PART	DESCRIPTION	APP	AF	ALT	QPV
EN4084	BIG END BEARING SET - +.040	BN1-BN2	ENG422	021-032	1
EN4085	BIG END BEARING SET - +.060	BN1-BN2	ENG422A	.	1
EN4086	BIG END BEARING SET - STD (STEEL CRANK)	BN1-BN2	CENG419	.	1
EN4087	STUD - MAIN BEARING	BN1-BN2	CENG430S	.	6
EN4088	SPRING WASHER - MAIN BRG. CAP	BN1-BN2	CENG430W	.	6
EN4089	MAIN BEARING SET - +.020 (UK MADE)	BN1-BN2	.	.	1
EN4090	MAIN BEARING SET - STD	BN1-BN2	ENG423	021-035	1
EN4091	MAIN BEARING SET - +.010	BN1-BN2	ENG424	021-036	1
EN4092	MAIN BEARING SET - +.020	BN1-BN2	ENG425	021-037	1
EN4093	MAIN BEARING SET - +.030	BN1-BN2	ENG426	021-038	1
EN4094	MAIN BEARING SET - +.040	BN1-BN2	ENG427	021-039	1
EN4095	MAIN BEARING SET - +.050	BN1-BN2	ENG427A	.	1
EN4096	MAIN BEARING SET - +.060	BN1-BN2	ENG427B	.	1
EN4100	THRUST WASHER SET - STD	BN1-BN2	ENG428	555-105	1
EN4101	THRUST WASHER SET - +0.005	BN1-BN2	ENG429	828-010	1
EN4109	CRANK SHAFT - USED	BN1-BN2	.	.	1
EN4110	CRANK SHAFT - REGROUND (EXCHANGE)	BN1-BN2	ENG431	021-351	1
EN4111	CRANK SHAFT - REGROUND (OUTRIGHT)	BN1-BN2	ENG432	021-351	1
EN4112	REAR CRANK SEAL CONVERSION KIT	BN1-BN2	CENG590	.	1
EN4115	CRANKSHAFT - STEEL (8 BOLT FLYWHEEL)	BN1-BN2	COM237	.	1
EN4128	BACK PLATE - ALUMINIUM	BN1-BN2	CENG402	.	1
EN4130	BACKPLATE - ALUM. (HYDRAULIC CLUTCH)	BN1-BN2	CENG402A	.	1
EN4135	FLYWHEEL - EXCHANGE (LIGHTENED)	BN1-BN2	CENG435A	.	1
EN4136	FLYWHEEL - EXCHANGE (LIGHTENED & BAL)	BN1-BN2	CENG435AB	.	1
EN4137	FLYWHEEL - STEEL (8 BOLT FIXING)	BN1-BN2	CENG635SO	.	1
EN4151	BOLT - FLYWHEEL	BN1-BN2	ENG437	320-980	4
EN4170	NUT - MAIN BEARING CAP (SELF LOCK)	BN1-BN2	ENG439	309-010	6
EN4190	PULLEY - CRANKSHAFT	BN1-BN2	ENG442	837-590	1
EN4220	TIMING CHAIN (USE EN6250)	BN1-BN2	ENG447	600-090	1
EN4230	CAM GEAR - TIMING (WITH RIVETS)	BN1-BN2	ENG448	838-020	1
EN4240	TENSIONER RING - CAMGEAR	BN1-BN2	ENG450	682-070	1

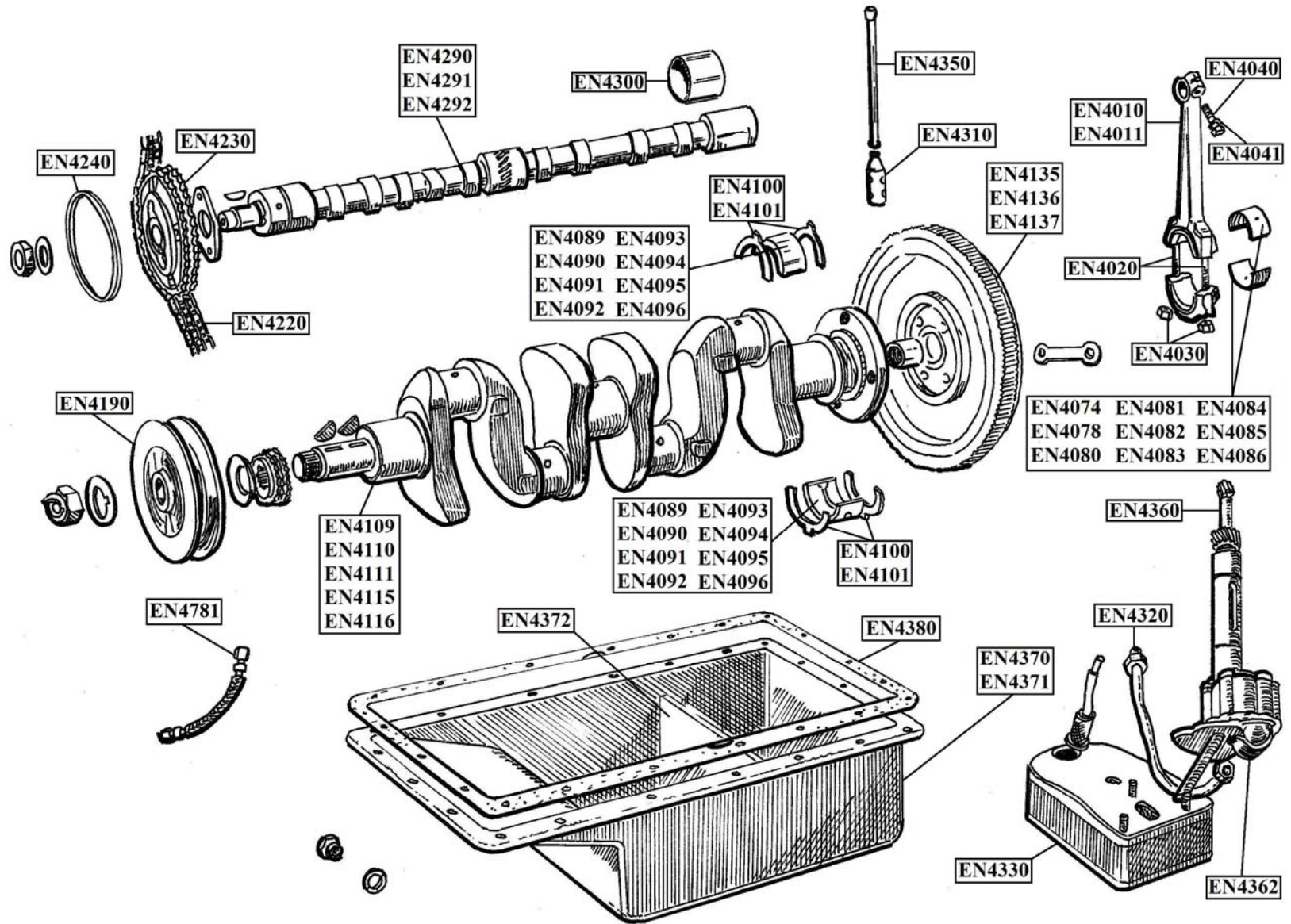




PART	DESCRIPTION	APP	AF	ALT	QPV
EN4290	CAMSHAFT - NEW (OUTRIGHT) LE MANS	BN1-BN2	ENG456	021-420	1
EN4291	CAMSHAFT - RE-PROFIED (EXCH) LE MANS	BN1-BN2	ENG457	.	1
EN4292	CAMSHAFT KIT - NEW (DWR2)	BN1-BN2	CENG456/2	.	1
EN4300	BEARING SET - CAMSHAFT	BN1-BN2	ENG459	550-645	1
EN4310	CAM FOLLOWER	BN1-BN2	ENG460	031-212	8
EN4312	CAM FOLLOWER - MODIFIED	BN1-BN2	CENG460	.	8
EN4320	PIPE - OIL DELIVERY (FLEXIBLE)	BN1-BN2	CENG465	.	1
EN4330	OIL STRAINER	BN1-BN2	ENG463	836-590	1
EN4350	PUSH ROD	BN1-BN2	ENG465	021-395	8
EN4358	LOCATING SCREW - OIL PUMP	BN1-BN2	CENG466	.	1
EN4359	LOCATING NUT - OIL PUMP	BN1-BN2	CENG466A	.	1
EN4360	OIL PUMP - LESS DRIVE SHAFT	BN1-BN2	ENG466	836-010	1
EN4362	DRIVE SHAFT - OIL PUMP	BN1-BN2	ENG465	.	1
EN4370	OIL SUMP	BN1-BN2	ENG467	021-120	1
EN4371	OIL SUMP - ALUMINIUM	BN1-BN2	CENG467S	.	1
EN4372	SUMP BAFFLE - ALUMINIUM	BN1-BN2	CENG467B	.	1
EN4380	GASKET - OIL SUMP	BN1-BN2	ENG468	021-057	1
EN4410	VALVE - OIL PRESSURE RELEASE	BN1-BN2	ENG480	460-155	1
EN4420	SPRING - OIL PRESSURE RELEASE	BN1-BN2	ENG481	329-045	1
EN4432	OIL FILTER KIT - SPIN OFF (DIRECT TO BLOCK)	BN1-BN2	ENG489	.	1
EN4440	ROCKER SHAFT	BN1-BN2	ENG500	021-353	1
EN4445	ROLLER ROCKER KIT	BN1-BN2	CENG502K	.	1
EN4450	ROCKER SHAFT ASSY - RECONDITIONED (EXCH)	BN1-BN2	.	.	1
EN4451	ROCKER ARM (USED)	BN1-BN2	ENG502	833-440	8
EN4460	SCREW - ROCKER ADJUSTING	BN1-BN2	ENG503	839-060	8
EN4470	BANJO BOLT - OIL FEED	BN1-BN2	CENG507	.	1
EN4490	ROCKER PEDESTAL & SPACER SET (STEEL)	BN1-BN2	CENG508	.	1
EN4500	ROCKER PEDASTAL - TAPPED HOLE	BN1-BN2	ENG508	839-085	1
EN4501	STUD - ROCKER SHAFT (SHORT)	BN1-BN2	ENG509	328-815	4
EN4502	STUD - ROCKER SHAFT (LONG)	BN1-BN2	ENG510	328-825	4
EN4503	STUD - ROCKER COVER	BN1-BN2	ENG511	238-835	2

PART	DESCRIPTION	APP	AF	ALT	QPV
EN4504	STUD - THERMOSTAT HOUSING	BN1-BN2	ENG512	.	4
EN4510	PIPE - ROCKER OIL FEED	BN1-BN2	ENG515	.	1
EN4520	VALVE-INLET (USE EN6752)	BN1-BN2	ENG720	021-290	4
EN4521	VALVE - EXHAUST	BN1-BN2	ENG521	.	4
EN4522	VALVE - EXH (214N S/STEEL) NITRIDE HARDENED	BN1-BN2	CENG721S	.	4
EN4530	GUIDE - INLET VALVE	BN1-BN2	ENG522	.	4
EN4531	GUIDE - EXHAUST VALVE	BN1-BN2	ENG523	.	4
EN4532	GUIDE - INLET VALVE (BRONZE)	BN1-BN2	.	.	4
EN4533	GUIDE - EXHAUST VALVE (BRONZE)	BN1-BN2	.	.	4
EN4540	VALVE SPRING SET	BN1-BN2	ENG525	.	1
EN4580	OIL SEAL - VALVE STEM	BN1-BN2	ENG535	.	8
EN4590	ROCKER COVER - ALLOY WITH QA CAP (ENGRAVED)	BN1-BN2	ENG536	.	1
EN4591	ROCKER COVER - ALLOY WITH QA CAP (PLAIN)	BN1-BN2	ENG537	852-095	1
EN4600	GASKET - ROCKER COVER	BN1-BN2	ENG539	529-107	1
EN4610	CAP NUT - ALLOY ROCKER COVER (S.S.)	BN1-BN2	ENG540	830-260	2
EN4640	GASKET - MANIFOLD TO HEAD	BN1-BN2	ENG546	529-043	1
EN4650	STUD - SHORT (MANIFOLD TO HEAD)	BN1-BN2	ENG548	328-775	2
EN4660	STUD - LONG (MANIFOLD TO HEAD)	BN1-BN2	ENG549	328-805	4
EN4670	YOKE - WASHER (MANIFOLD TO HEAD)	BN1-BN2	ENG550	324-495	4
EN4680	BRASS NUT - MANIFOLD TO HEAD	BN1-BN2	ENG554	310-860	6
EN4700	STUD - CYLINDER HEAD	BN1-BN2	ENG561	328-785	11
EN4705	STUD SET - CYLINDER HEAD (COMPETITION)	BN1-BN2	CENG561	.	1
EN4710	NUT - CYLINDER HEAD	BN1-BN2	ENG562	310-840	11
EN4720	CORE PLUG SET	BN1-BN2	ENG570	328-238	1
EN4721	STRAP KIT - CORE PLUGS	BN1-BN2	CENG570	.	1
EN4730	OIL SEAL - TIMING COVER	BN1-BN2	ENG577	021-051	1
EN4735	LIP SEAL CONVERSION - FRONT COVER	BN1-BN2	CENG580A	.	1
EN4740	BLANKING PLATE - WATER GALLERY	BN1-BN2	ENG578	697-305	1
EN4741	GASKET - TIMING COVER	BN1-BN2	ENG579	.	1
EN4780	DUST SEAL - DIP STICK	BN1-BN2	ENG583	460-040	1
EN4781	UNION - OIL PRESSURE HOSE	BN1-BN2	ENG585	021-902	1

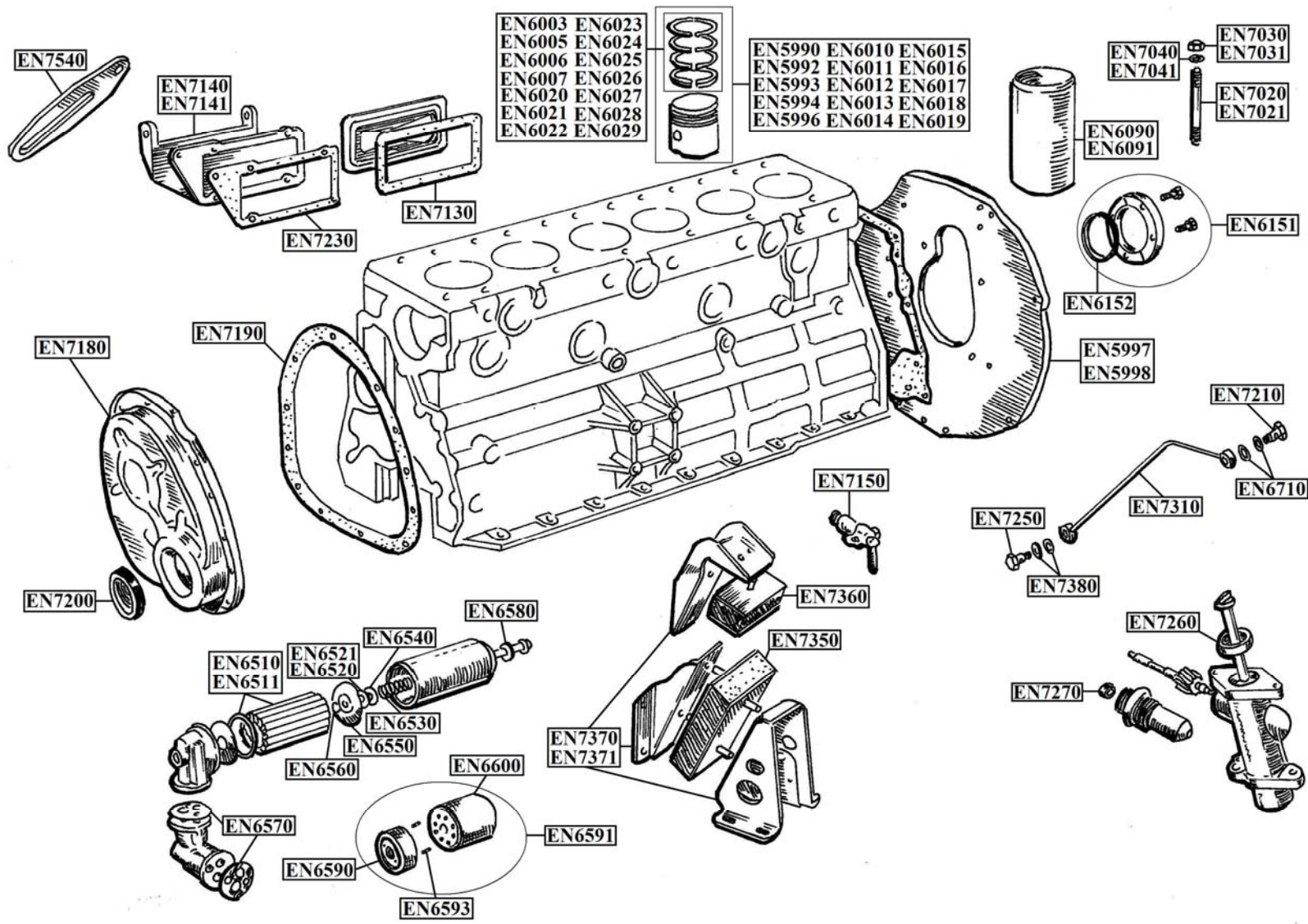




PART	DESCRIPTION	APP	AF	ALT	QPV	
EN4784	PIPE - OIL PRESSURE TO GAUGE RHD	BN1-BN2	.	.	1	
EN4785	PIPE - OIL PRESSURE TO GAUGE LHD	BN1-BN2	.	.	1	
EN4791	DYNAMO BRACKET (USED)	BN1-BN2	ENG588	021-903	1	
EN4810	EXHAUST MANIFOLD - COMPLETE (USED)	BN1-BN2	ENG591	.	1	
EN4819	CYLINDER HEAD - ALUMINIUM (BARE)	BN1-BN2	CENG495AB	.	1	
EN4820	CYLINDER HEAD - ALUMINIUM (C/W VALVES)	BN1-BN2	ENG495AS	.	1	
EN4821	CYLINDER HEAD - RECON. UNLEADED (OUTRIGHT)	BN1-BN2	ENG592A	.	1	
EN4822	CYLINDER HEAD - ALUMINIUM (C/W VALVES) FULL RACE	BN1-BN2	CENG495AF	.	1	
EN4823	CYLINDER HEAD - ALUMINIUM (C/W VALVES) FAST ROAD	BN1-BN2	CENG495AR	.	1	
EN4824	STUD SET - CYLINDER HEAD	BN1-BN2	CENG561	.	1	
EN4830	TUBE - OIL DIP STICK	BN1-BN2	ENG593	460-030	1	
EN4840	BRACKET SET-ENG. MTG.(R/H) USED	BN1-BN2	.	.	1	
EN4841	BRACKET SET-ENG. MTG.(L/H) USED	BN1-BN2	.	.	1	

Autofarm Ltd.

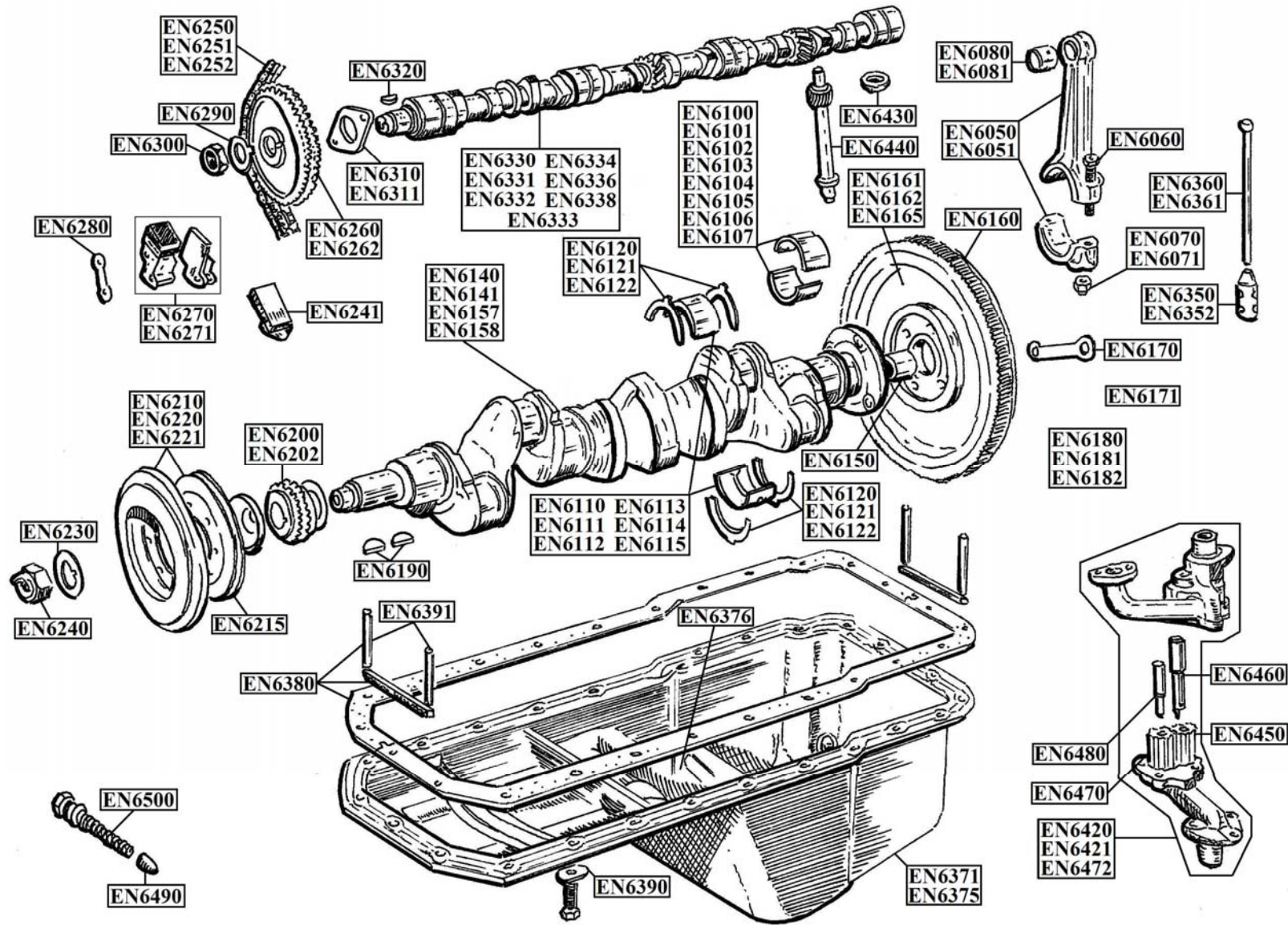




PART	DESCRIPTION	APP	AF	ALT	QPV
EN5990	PISTON SET - STD	BN4.(E)40501 ON	ENG599	.	1
EN5992	PISTON SET - +.020	BN4.(E)40501 ON	ENG600	021-292	1
EN5993	PISTON SET - +.030	BN4.(E)40501 ON	ENG600A	021-293	1
EN5994	PISTON SET - +.040	BN4.(E)40501 ON	ENG600B	021-294	1
EN5996	PISTON SET - +.060	BN4.(E)40501 ON	ENG600C	.	1
EN5997	ALLOY BACK PLATE - STD. CRANK (W/ EN6151)	BN4-BJ8	CENG603D	.	1
EN5998	BACK PLATE - ALLOY (STEEL CRANK - W/ EN6222)	BN4-BJ8	COM245	.	1
EN6000	GASKET SET - CYLINDER HEAD	BN4-BJ8	ENG602	524-051	1
EN6001	GASKET SET - BOTTOM END	BN4-BJ8	ENG603	522-025	1
EN6003	PISTON RING SET - STD	BN4-BN6	ENG601	567-052	1
EN6005	PISTON RING SET - +.020	BN4-BN6	ENG601A	021-316	1
EN6006	PISTON RING SET - +.030	BN4-BN6	ENG601B	021-317	1
EN6007	PISTON RING SET - +.040	BN4-BN6	ENG601C	021-318	1
EN6010	PISTON SET - STD (17731 TYPE)	BT7-BJ8	ENG608	021-296	1
EN6011	PISTON SET - STD (17731 HEPOLITE)	BT7-BJ8	ENG608A	021-296	1
EN6012	PISTON SET - +.020 (17731 TYPE)	BT7-BJ8	ENG609	021-300	1
EN6013	PISTON SET - +.020 (17731 HEPOLITE)	BT7-BJ8	ENG609A	021-300	1
EN6014	PISTON SET - +.030 (17731 TYPE)	BT7-BJ8	ENG610	021-298	1
EN6015	PISTON SET - +.030 (17731 HEPOLITE)	BT7-BJ8	ENG610A	021-298	1
EN6016	PISTON SET - +.040 (17731 TYPE)	BT7-BJ8	ENG611	021-297	1
EN6017	PISTON SET - +.060 (17731 TYPE)	BT7-BJ8	ENG612	021-299	1
EN6018	PISTON SET - COSWORTH FORGED (84.5/85mm)	BT7-BJ8	CENG611/2	.	1
EN6019	PISTON SET - OMEGA FORGED (83.5/84mm)	BN4-BJ8	CENG608/10	.	1
EN6020	PISTON RING SET - STD (ORIGINAL PISTONS)	BT7-BJ8	ENG613	567-180	1
EN6021	PISTON RING SET - STD (17731 PISTONS)	BT7-BJ8	ENG613A	817-500	1
EN6022	PISTON RING SET - +.020 (ORIGINAL PISTONS)	BT7-BJ8	ENG614	021-321	1
EN6023	PISTON RING SET - +.020 (17731 PISTONS)	BT7-BJ8	ENG614A	817-520	1
EN6024	PISTON RING SET - +.030 (ORIGINAL PISTONS)	BT7-BJ8	ENG615	021-322	1
EN6025	PISTON RING SET - +.030 (17731 PISTONS)	BT7-BJ8	ENG615A	817-530	1
EN6026	PISTON RING SET - +.040 (ORIGINAL PISTONS)	BT7-BJ8	ENG616	021-323	1
EN6027	PISTON RING SET - +.040 (17731 PISTONS)	BT7-BJ8	ENG616A	817-540	1

PART	DESCRIPTION	APP	AF	ALT	QPV
EN6028	PISTON RING SET - +.060 (ORIG PISTONS)	BT7-BJ8	ENG617	021-324	1
EN6029	PISTON RING SET - +.060 (17731 PISTONS)	BT7-BJ8	ENG617A	817-560	1
EN6030	GASKET - CYLINDER HEAD	BN4-BJ8	ENG602A	528-036	1
EN6050	CONNECTING ROD - USED	BN4-BJ8	ENG604A	837-780/790	6
EN6060	BOLT - BIG END	BN4-BJ8	ENG605	021-632/3	12
EN6070	NUT - BIG END BOLT	BN4-BJ8	ENG606	021-638	12
EN6071	NUT-BIG END BOLT (HEAVY DUTY)	BN4-BJ8	CENG606	.	12
EN6080	BUSH - SMALL END (SET)	BN4-BJ8	ENG607	829-018	1
EN6081	BUSH SET - SMALL END (GLACIER/VANDERVELL)	BN4-BJ8	.	.	1
EN6090	CYLINDER LINER	BT7-BJ8	ENG618	021-304	6
EN6091	CYLINDER LINER	BN4-BN6	ENG618A	021-302	6
EN6100	BIG END BEARING SET - STD (REPRO)	BN4-BJ8	ENG619A	550-350	1
EN6101	BIG END BEARING SET - +.010	BN4-BJ8	ENG620	550-351	1
EN6102	BIG END BEARING SET - +.020 (REPRO)	BN4-BJ8	ENG621	550-352	1
EN6103	BIG END BEARING SET - +.030 (REPRO)	BN4-BJ8	ENG622A	021-033	1
EN6104	BIG END BEARING SET - +.040 (REPRO)	BN4-BJ8	ENG622B	021-034	1
EN6105	BIG END BEARING SET - +.040 (AE BRAND)	BN4-BJ8	ENG623	021-034	1
EN6106	BIG END BEARING SET - +.060 (REPRO)	BN4-BJ8	ENG623A	.	1
EN6107	BIG END BEARING SET - STD (STEEL CRANK)	BN4-BJ8	COM247	.	1
EN6110	MAIN BEARING SET - STD	BN4-BJ8	ENG624	.	1
EN6111	MAIN BEARING SET - +.010	BN4-BJ8	ENG625	550-436	1
EN6112	MAIN BEARING SET - +.020	BN4-BJ8	ENG626	021-045	1
EN6113	MAIN BEARING SET - +.030	BN4-BJ8	ENG627	021-046	1
EN6114	MAIN BEARING SET - +.040	BN4-BJ8	ENG627A	021-047	1
EN6115	MAIN BEARING SET - STD (UK MADE)	BN4-BJ8	ENG624	550-435	1
EN6120	THRUST WASHER SET - STD	BN4-BJ8	ENG628	555-130	1
EN6121	THRUST WASHER SET - +0.005	BN4-BJ8	ENG629	828-020	1
EN6122	THRUST WASHER SET - +0.010	BN4-BJ8	ENG6230	.	1
EN6129	STUD - MAIN BEARING CAPS (STD.)	BN4-BJ8	ENG630S	.	8
EN6130	NUT - MAIN BEARING CAP	BN4-BJ8	ENG631	311-000	8
EN6131	NUT - FLYWHEEL BOLT	BN4-BJ8	ENG632	310-960	4

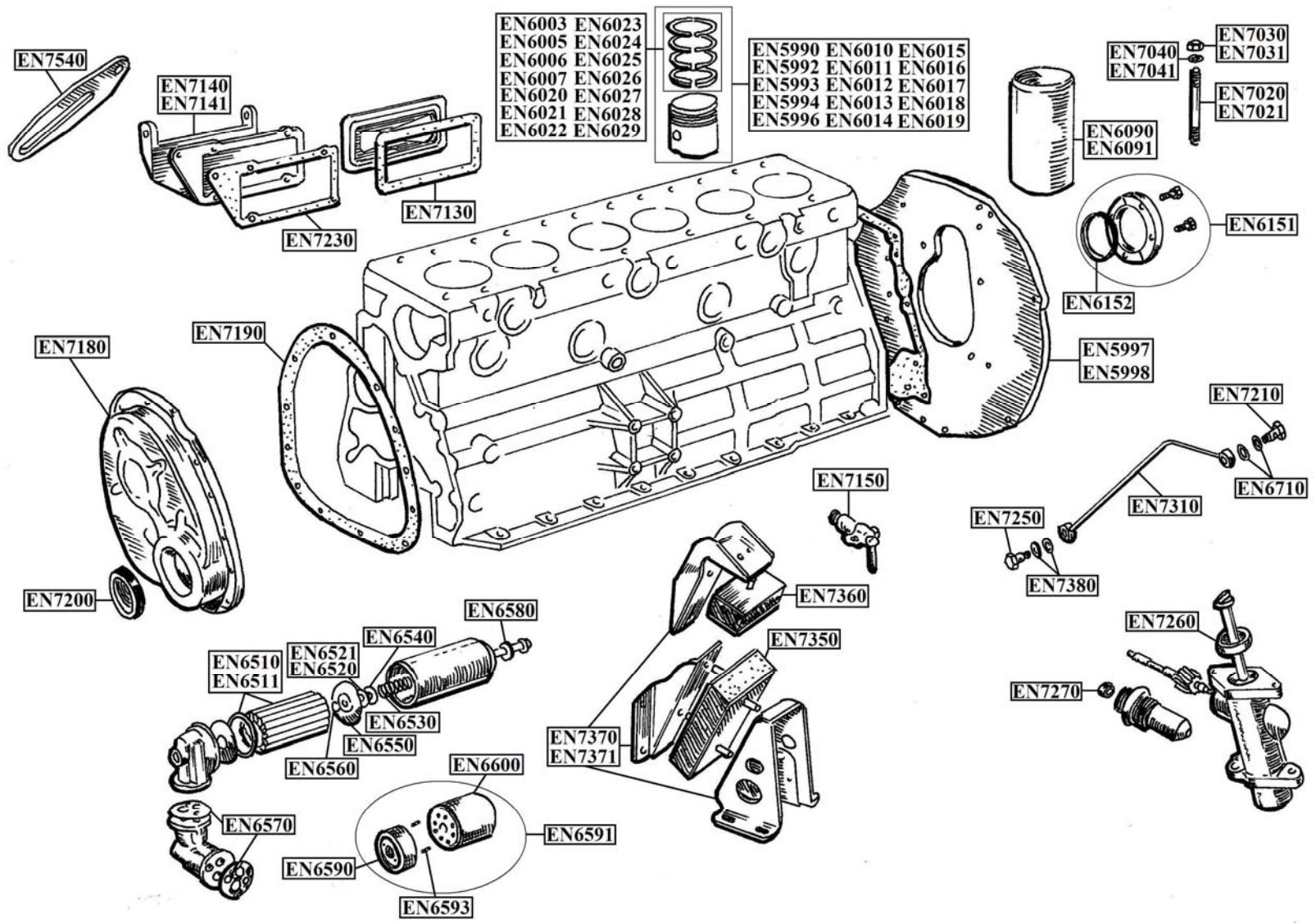




PART	DESCRIPTION	APP	AF	ALT	QPV	
EN6132	NUT & WASHER SET - MAIN BEARING (HEAVY DUTY)	BN4-BJ8	CENG631	.	1	
EN6140	CRANKSHAFT - REGROUND (EXCHANGE)	BN4-BJ8	ENG633	021-352	1	
EN6141	CRANKSHAFT - REGROUND (OUTRIGHT)	BN4-BJ8	ENG633A	021-352	1	
EN6150	SPIGOT BUSH - CRANKSHAFT	BN4-BJ8	ENG634	021-360	1	
EN6151	REAR CRANK SEAL CONVERSION KIT	BN4-BJ8	COM162	.	1	
EN6152	OIL SEAL - REAR CRANK	BN1-BJ8	COM163	.	1	
EN6160	STARTER RING GEAR	BN4-BJ8	ENG635	021-635	1	
EN6161	STEEL FLYWHEEL - 8 BOLT FIXING (FITS STD CRANK)	BN1-BJ8	COM235	.	1	
EN6162	STEEL FLYWHEEL - 12 BOLT FIXING	BN1-BJ8	COM236	.	1	
EN6165	FLYWHEEL - EXCHANGE (LIGHTENED & BAL)	BN4-BJ8	CENG635AB	.	1	
EN6170	LOCKWASHER - FLYWHEEL	BN4-BJ8	ENG636	031-209	2	
EN6171	WASHER - FLYWHEEL (HEAVY DUTY)	BN4-BJ8	CENG637W	.	4 OR 8	
EN6180	BOLT - FLYWHEEL	BN4-BJ8	ENG637	.	4, 6 OR 8	
EN6181	FLYWHEEL BOLT - ARP (12 BOLT STEEL CRANK)	BN4-BJ8	ENG637	322-190	6	
EN6182	FLYWHEEL BOLT - CAPHEAD (12 BOLT STEEL CRANK)	BN4-BJ8	038100NFC	.	6	
EN6184	DOWEL - FLYWHEEL	BN4-BJ8	CENG635D	.	2	
EN6190	WOODRUFF KEY - CRANKSHAFT	BN4-BJ8	ENG638	327-160	2	
EN6200	CRANK GEAR - TIMING	BN4-BJ8	ENG640	021-367	1	
EN6202	CRANK GEAR - TIMING (LIGHTENED)	BN1-BJ8	CENG640	.	1	
EN6210	SUPER DAMPER (CRANKSHAFT)	BN1-BJ8	CENG643	.	1	
EN6215	PULLEY - SUPER DAMPER (WITH EN6210)	BN1-BJ8	CENG643P	.	1	
EN6220	CRANK PULLEY & DAMPER - 3/8 PULLEY	BN4-BJ8	ENG643	031-206	1	
EN6221	CRANK PULLEY & DAMPER - EXCHANGE (1/2 PULLEY)	BJ8	ENG644	.	1	
EN6222	OIL SEAL - STEEL CRANK	BN4-BJ8	COM248	.	1	
EN6230	LOCKWASHER - CRANKSHAFT NUT	BN4-BJ8	ENG645	837-090	1	
EN6240	NUT - CRANKSHAFT (STARTER DOG)	BN1-BJ8	ENG646	031-204	1	
EN6241	DAMPER - TIMING CHAIN	BN7&BT7.MK2-BJ8	ENG647	832-250	1	
EN6250	TIMING CHAIN	BN4-BJ8	ENG648	600-090	1	
EN6251	TIMING CHAIN - COMPETITION	BN4-BJ8	CENG648	.	1	
EN6252	TIMING CHAIN - COMPETITION (FULL RACE)	BN4-BJ8	CENG648R	.	1	
EN6260	CAM GEAR	BN4-BJ8	ENG649	021-366	1	

PART	DESCRIPTION	APP	AF	ALT	QPV	
EN6262	CAM GEAR - LIGHTWEIGHT STEEL (VERNIER TYPE)	BN4-BJ8	CENG649V	.	1	
EN6270	TENSIONER - TIMING CHAIN	BN4-BJ8	ENG650	011-139	1	
EN6271	TENSIONER - TIMING CHAIN (HYDRAULIC)	BN4-BJ8	CENG650N4	.	1	
EN6280	LOCKWASHER - TENSIONER	BN4-BJ8	ENG651	460-570	1	
EN6290	LOCKWASHER - CAMSHAFT	BN4-BJ8	ENG652	031-211	1	
EN6300	NUT - CAMSHAFT	BN4-BJ8	ENG653	310-950	1	
EN6310	RETAINING PLATE - CAMSHAFT	BN4-BJ8	ENG654	031-210	1	
EN6311	THRUST PLATE - CAMSHAFT (STEEL)	BN1-BJ8	CENG654	.	1	
EN6320	WOODRUFF KEY - CAMSHAFT	BN4-BJ8	ENG655	327-170	1	
EN6330	CAMSHAFT - NEW	BN4-BJ8	ENG656	851-290	1	
EN6331	CAMSHAFT - NEW (FAST ROAD) PIPER	BN4-BJ8	.	.	1	
EN6332	CAMSHAFT - NEW (RALLY) PIPER	BN4-BJ8	.	.	1	
EN6333	CAMSHAFT - REPROFILED (EXCHANGE) PIPER	BN4-BJ8	ENG657	.	1	
EN6334	CAMSHAFT - REPROFILED (OUTRIGHT)	BN4-BJ8	ENG657A	.	1	
EN6335	CAMSHAFT - REPROFILED (RALLY) PIPER (EXCH)	BN4-BJ8	.	.	1	
EN6336	CAMSHAFT KIT - DWR2 (C/W BUCKET FOLLOWERS)	BN4-BJ8	CENG656/2	.	1	
EN6338	CAMSHAFT KIT - DWR8 (C/W STD. FOLLOWERS)	BN4-BJ8	CENG656/8	.	1	
EN6340	BEARING SET - CAMSHAFT	BN4-BJ8	ENG658	021-048	1	
EN6350	CAM FOLLOWER	BN4-BJ8	ENG660	021-365	12	
EN6352	CAM FOLLOWER - MODIFIED	BN4-BJ8	CENG660	.	12	
EN6353	CAM FOLLOWER - BUCKET TYPE	BN4-BJ8	.	.	12	
EN6360	PUSH ROD	BN4-BJ8	ENG661N	.	12	
EN6361	PUSH ROD - TUBULAR (CAR SET)	BN4-BJ8	CENG661	.	1	
EN6371	OIL SUMP	BN4-BJ8	ENG665	021-143	1	
EN6372	SUMP GUARD - ALLOY	BN1-BJ8	MSC500	.	1	
EN6375	OIL SUMP - ALLOY	BN4-BJ8	COM195	.	1	
EN6376	BAFFLE - SUMP (BOLT IN) ALLOY SUMP	BN4-BJ8	CENG665B	.	1	
EN6380	GASKET SET - OIL SUMP	BN4-BJ8	ENG666	525-003	1	
EN6390	WASHER - OIL SUMP	BN4-BJ8	ENG667	324-765	25	
EN6391	FELT PLUG - FRONT & REAR MAIN BRG. CAP	BN4-BJ8	ENG668	.	4	
EN6400	DRAIN PLUG - OIL SUMP	BN4-BJ8	ENG669	328-460	1	

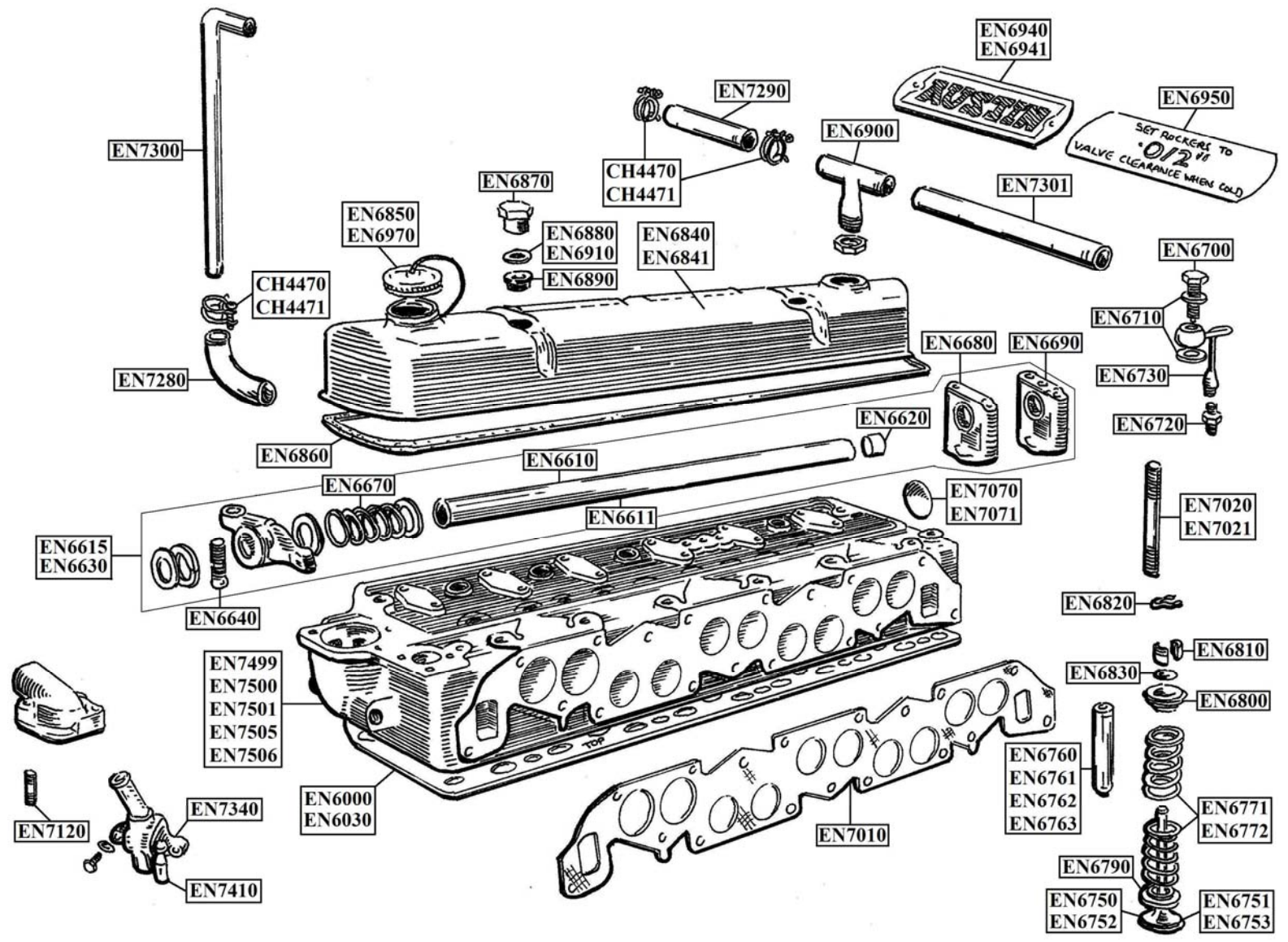




PART	DESCRIPTION	APP	AF	ALT	QPV	
EN6410	WASHER - DRAIN PLUG	BN4-BJ8	ENG670	324-800	1	
EN6420	OIL PUMP - GEAR TYPE	BN4-BJ8	ENG672	021-362	1	
EN6421	OIL PUMP - ROTOR TYPE	BN4-BJ8			1	
EN6428	STUD - OIL PUMP	BN4-BJ8			3	
EN6430	THRUST WASHER - OIL PUMP DRIVE	BN4-BJ8	ENG673	021-422	1	
EN6440	SPINDLE & WASHER - PUMP DRIVE	BN4-BJ8	ENG674	031-216	1	
EN6450	GEAR - DRIVING (OIL PUMP)	BN4-BJ8	ENG675	836-580	1	
EN6460	SHAFT - DRIVING GEAR (OIL PUMP)	BN4-BJ8	ENG676	021-426	1	
EN6470	GEAR - DRIVEN (OIL PUMP)	BN4-BJ8	ENG677	031-214	1	
EN6472	OIL PUMP - HIGH CAPACITY (ROTOR TYPE)	6CYL.STD.CRANK	ENG672M		1	
EN6480	SHAFT - DRIVEN GEAR (OIL PUMP)	BN4-BJ8	ENG678	021-421	1	
EN6481	WASHER - RUBBER (DIPSTICK)	BN4-BJ8	ENG680	031-220	1	
EN6490	VALVE - OIL PRESSURE RELEASE	BN4-BJ8	ENG685	836-660	1	
EN6500	SPRING - OIL PRESSURE RELEASE	BN4-BJ8	ENG686	329-055	1	
EN6510	OIL FILTER ELEMENT - FELT	BN4-BJ8	ENG687	800-012	1	
EN6511	OIL FILTER ELEMENT - PAPER	BN4-BJ8	ENG688	833-000	1	
EN6520	SEAL - OIL FILTER BOWL	BN4-BJ8	ENG690	724-025	1	
EN6521	FELT WASHER - OIL FILTER BOWL	BN4-BJ8	ENG693	031-218	1	
EN6530	SPRING - OIL FILTER BOWL	BN4-BJ8	ENG691	329-230	1	
EN6540	PLAIN WASHER - OIL FILTER BOWL	BN4-BJ8	ENG692	435-565	1	
EN6550	PLATE - OIL FILTER BOWL	BN4-BJ8	ENG694	435-155	1	
EN6560	CIRCLIP - OIL FILTER BOWL	BN4-BJ8	ENG695	326-205	1	
EN6570	GASKET - OIL FILTER ADAPTER	BN4-BJ8	ENG696	021-115	1	
EN6580	SEAL - BOLT TO FILTER BOWL	BN4-BJ8	ENG697	021-439	1	
EN6590	ADAPTER KIT - SPIN OFF FILTER (NOT TECALEMIT)	BN4-BJ8	ENG698		1	
EN6591	OIL FILTER KIT - SPIN OFF (DIRECT TO BLOCK)	BN4-BJ8	ENG698A		1	
EN6600	CANISTER FILTER - SPIN OFF TYPE	BN4-BJ8	ENG699		1	
EN6610	ROCKER SHAFT	BN4-BJ8	ENG700	021-354	1	
EN6611	ROCKER SHAFT - TUFRIDE HARDENED	BN4-BJ8			1	
EN6615	ROLLER ROCKER KIT	BN4-BJ8	CENG702K		1	
EN6620	BUSH - ROCKER SHAFT	BN4-BJ8	ENG701	021-355	12	

PART	DESCRIPTION	APP	AF	ALT	QPV	
EN6630	ROCKER SHAFT ASSY. - RECONDITIONED (EXCH.)	BN4-BJ8	ENG702		1	
EN6631	ROCKER SHAFT ASSY. - TUFRIDE HARDENED (EXCH.)	BN4-BJ8			1	
EN6640	SCREW - ROCKER ADJUSTING	BN4-BJ8	ENG703	031-230	12	
EN6650	NUT - ROCKER ADJUSTING SCREW (USE BR4380)	BN4-BJ8	ENG704	310-070	12	
EN6670	SPRING - ROCKER ARM SPACING	BN4-BJ8	ENG706	031-229	5	
EN6680	ROCKER PEDASTAL - PLAIN	BN4-BJ8	ENG707	021-357	5	
EN6690	ROCKER PEDASTAL - TAPPED HOLE	BN4-BJ8	ENG708	021-358	1	
EN6695	SHIM - 3mm (ROCKER PEDESTAL)	BN4-BJ8	CENG707S		As Req	
EN6700	BANJO BOLT - OIL FEED	BN4-BJ8	ENG709	835-220	1	
EN6710	WASHER - BANJO BOLT	BN4-BJ8	ENG710	324-760	2	
EN6720	UNION - ROCKER OIL FEED PIPE	BN4-BJ8	ENG711	835-225	1	
EN6730	PIPE - OIL FEED	BN4-BJ8	ENG712	839-090	1	
EN6750	VALVE - INLET (INTEGRAL MANIFOLD)	BN4	ENG718	021-020	6	
EN6751	VALVE - EXHAUST (INTEGRAL MANIFOLD)	BN4	ENG719	537-087	6	
EN6752	VALVE - INLET	BN4-BJ8	ENG720	021-021	6	
EN6753	VALVE - EXHAUST	BN4-BJ8	ENG721	537-175	6	
EN6754	VALVE - INLET (STELLITE TIP)	BN4-BJ8	CENG720S		6	
EN6755	VALVE - EXHAUST (STELLITE TIP)	BN4-BJ8	CENG721S		6	
EN6760	GUIDE - INLET VALVE	BN4-BJ8	ENG722	538-022	6	
EN6761	GUIDE - EXHAUST VALVE	BN4-BJ8	ENG723	538-024	6	
EN6762	GUIDE - INLET VALVE (BRONZE)	BN4-BJ8			6	
EN6763	GUIDE - EXHAUST VALVE (BRONZE)	BN4-BJ8			6	
EN6765	BRONZE VALVE GUIDE - INLET & EXHAUST	BN1-BJ8	CENG722		12	
EN6766	BRONZE VALVE GUIDE - INLET & EXHAUST (2mm OVERSIZE)	BN1-BJ8			12	
EN6771	VALVE SPRING SET	BN4-BJ8	ENG725	021-029	1	
EN6772	VALVE SPRING SET - COMPETITION	BN4-BJ8	CENG725		1	
EN6790	BOTTOM COLLAR - VALVE SPRING	BN4-BJ8	ENG730	031-228	12	
EN6800	CAP - VALVE SPRING	BN4-BJ8	ENG731	831-540	12	
EN6810	COLLETS - VALVE (PR)	BN4-BJ8	ENG733	460-210	12	
EN6820	CLIP - VALVE COLLETS	BN4-BJ8	ENG734	326-120	12	
EN6830	OIL SEAL - VALVE STEM	BN4-BJ8	ENG735	290-900	12	

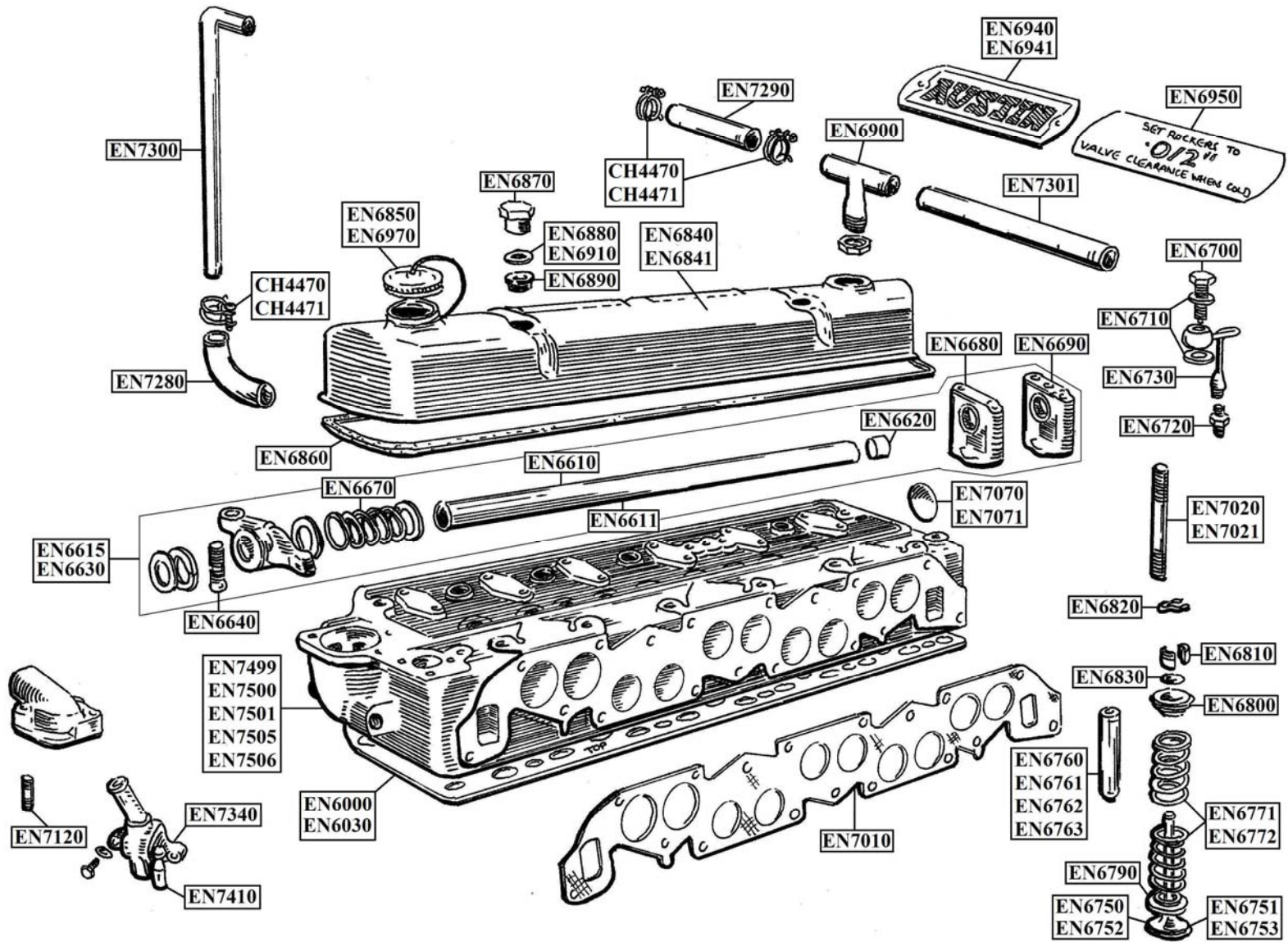




PART	DESCRIPTION	APP	AF	ALT	QPV
EN6831	OIL SEAL - VALVE STEM (TOP HAT TYPE) SINGLE SPRING ONLY	BN1-BJ8	CENG735	.	8 OR 12
EN6840	ROCKER COVER - ALLOY WITH QA CAP (ENGRAVED)	BN4-BJ8	ENG736	852-100	1
EN6841	ROCKER COVER - ALLOY WITH QA CAP (PLAIN)	BN4-BJ8	ENG737	852-100	1
EN6860	GASKET - ROCKER COVER	BN4-BJ8	ENG739	529-103	1
EN6870	CAP NUTS - ROCKER COVER (S.S.) WITH EN6840/1	BN4-BJ8	ENG740	310-925	2
EN6871	CAP NUTS - ROCKER COVER (CHROME) WITH EN6840/1	BN4-BJ8	ENG740	310-925	2
EN6880	CUP WASHERS - ROCKER COVER (CHROME)	BN4-BJ8	ENG741	.	2
EN6890	RUBBER BUSH - ROCKER COVER	BN4-BJ8	ENG742	682-080	2
EN6900	T PIECE - ROCKER COVER (S.S.)	BN4-BJ8	ENG743	794-010	1
EN6910	CUP WASHER - ROCKER COVER (STEEL)	BN4-BJ8	ENG744	324-535	2
EN6915	CUP WASHERS - ROCKER COVER (S.S.) PR	BN4-BJ8	.	.	1
EN6920	STUD - ROCKER COVER	BN4-BJ8	ENG745	328-845	2
EN6930	STUD - ROCKER PEDESTAL (LONG)	BN4-BJ8	ENG745A	.	6
EN6931	STUD - ROCKER PEDESTAL (SHORT)	BN4-BJ8	ENG745B	.	4
EN6940	PLATE - AUSTIN (METAL)	BN4-BJ8	ENG750	408-900	1
EN6941	PLATE - AUSTIN (SELF-ADHESIVE)	BN4-BJ8	ENG751	031-232	1
EN6950	PLATE .012" (METAL)	BN4-BJ8	ENG752	408-910	1
EN6955	RIVET - ROCKER COVER/CHASSIS PLATES	ALL	.	.	As Req
EN6970	FILLER CAP - ROCKER COVER	BN4-BJ8	ENG755	460-100	1
EN7000	STUD - HEAD TO MANIFOLD	BN4-BJ8	ENG758	724-095	17
EN7010	GASKET - MANIFOLD TO HEAD	BN4-BJ8	ENG759	529-064	1
EN7011	GASKET SET - MANIFOLD (6 PORT HEAD)	BN4	ENG759A	021-055	1
EN7020	STUD - CYLINDER HEAD	BN4-BJ8	ENG760	328-875	16
EN7021	STUD - CYLINDER HEAD (WAISTED)	BN4-BJ8	CENG760W	.	16
EN7030	NUT - CYLINDER HEAD	BN4-BJ8	ENG761	310-940	16
EN7031	NUT - CYLINDER HEAD (HEAVY DUTY)	BN4-BJ8	CENG562	.	16
EN7040	WASHER - HEAD STUD	BN4-BJ8	ENG762	324-475	16
EN7041	WASHER - CYLINDER HEAD (HEAVY DUTY)	BN4-BJ8	CENG762	.	16
EN7050	PLUG - MAIN OIL GALLERY	BN4-BJ8	ENG763	.	3
EN7060	PLUG - OIL FILTER FEED HOLE	BN4-BJ8	ENG764	928-045	1
EN7070	CORE PLUG - SMALL (SAUCER TYPE)	BN4-BN6	ENG765	328-260	4

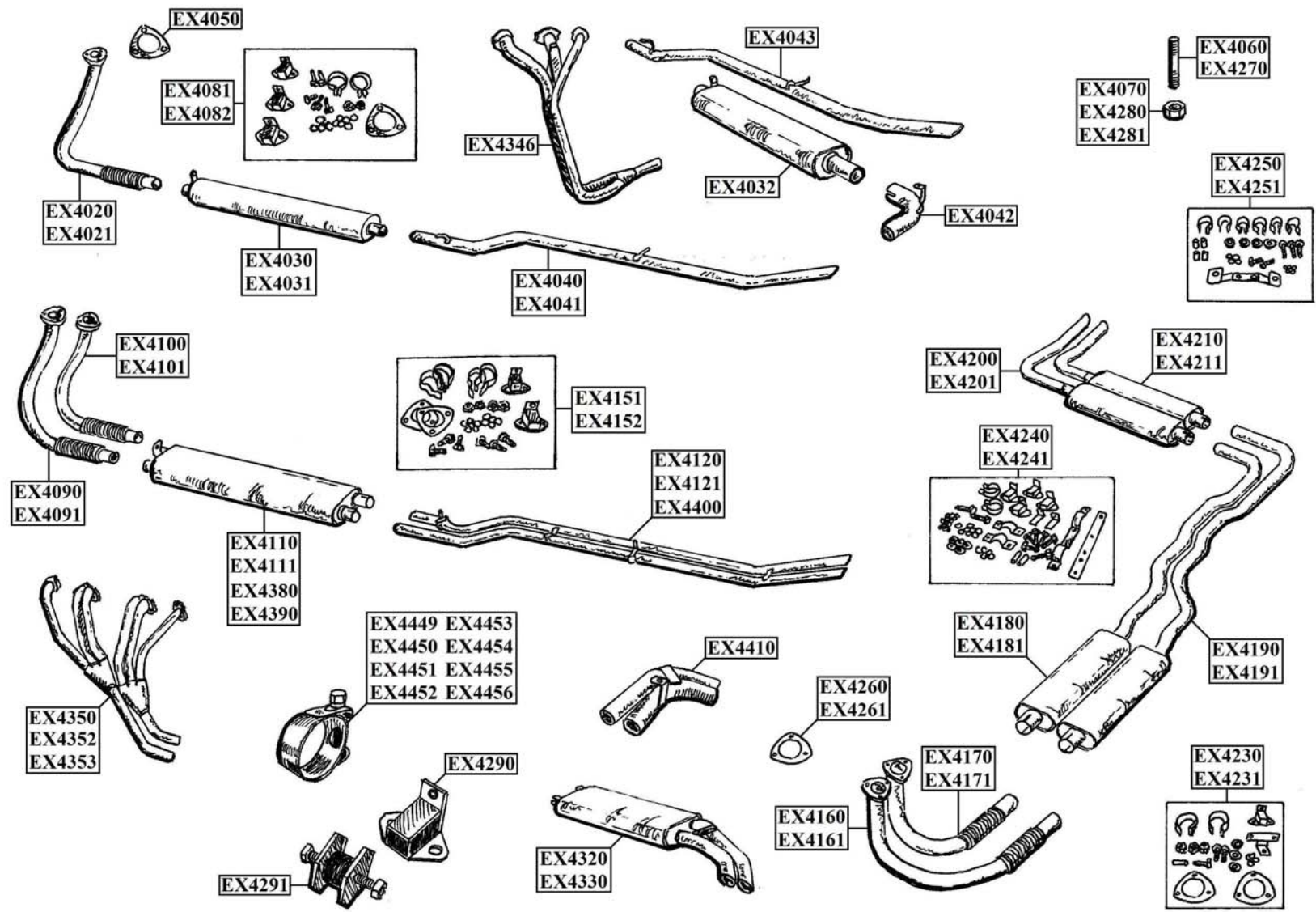
PART	DESCRIPTION	APP	AF	ALT	QPV
EN7071	CORE PLUG - SMALL (CUP TYPE)	BT7-BJ8	ENG766	328-265	4
EN7080	CORE PLUG - LARGE (SAUCER TYPE)	BN4-BN6	ENG767	328-230	5
EN7081	CORE PLUG - LARGE (CUP TYPE)	BT7-BJ8	ENG768	328-235	5
EN7090	UNION - OIL GAUGE	BN4-BJ8	ENG769	376-800	1
EN7120	STUD - THERMOSTAT HOUSING	BN4-BJ8	ENG773	328-910	2
EN7121	STUD WATER PUMP	BN4-BJ8	.	.	4
EN7130	GASKET - REAR TAPPET COVER	BN4-BJ8	ENG774	296-370	2
EN7140	DYNAMO BRACKET/TAPPET COVER (USED)	BN4-BJ7	ENG775	835-245	1
EN7141	DYNAMO BRACKET/TAPPET COVER (USED)	BJ8	ENG776	835-280	1
EN7150	DRAIN TAP - CYLINDER BLOCK	BN4-BJ8	ENG777	835-630	1
EN7160	BRASS UNION - MANIFOLD DRAINPIPE (NOT TRI-CARB)	BN6-BJ8	ENG778	021-431	2
EN7170	DRAIN TUBE & NUT - MANIFOLD (NOT TRI-CARB)	BN1-BJ8	ENG779	794-020	2
EN7180	TIMING COVER - (USED)	BN4-BJ8	ENG780	.	1
EN7190	GASKET - TIMING COVER	BN4-BJ8	ENG781	697-380	1
EN7200	OIL SEAL - TIMING COVER	BN4-BJ8	ENG782	535-111	1
EN7210	BANJO BOLT - OIL FEED (TACHO) TACHO END	BN4-BJ7	ENG783	021-933	1
EN7220	BRASS NUT - MANIFOLD TO HEAD	BN4-BJ8	ENG784	310-985	17
EN7230	GASKET - DYNAMO BRACKET	BN4-BJ8	ENG785	697-390	1
EN7240	BOLT - INLET TO EXHAUST MANIFOLD	BT7-BJ8	ENG786	320-595	4
EN7250	BANJO BOLT - OIL FEED (TACHO) CRANK END	BN4-BJ7	ENG787	021-934	1
EN7260	OIL SEAL - DISTRIBUTOR DRIVE	BN4-BJ8	ENG788	031-813	1
EN7270	OIL SEAL - TACHO DRIVE	BN1-BJ7	ENG789	520-440	1
EN7280	RUBBER ELBOW - BREATHER PIPE	BN4-BJ8	ENG790	280-180	1
EN7290	RUBBER - STRAIGHT (BREATHER PIPE)	BN4-BJ8	ENG791	834-360	1
EN7300	BREATHER PIPE	BN4-BJ8	ENG792	021-427	1
EN7301	BREATHER HOSE - FILTER TO COVER	BN4-BJ8	ENG792A	834-350	1
EN7310	PIPE ASSY - OIL FEED	BN4-BJ7	ENG793	021-260	1
EN7320	GASKET - HOT SPOT (INLET TO EXHAUST)	BN7&BT7 (TRI-CARB)	ENG794	021-433	3
EN7330	GASKET - INLET TO EXHAUST MANIFOLD	BN4-BJ8	ENG795	021-429	1
EN7340	TAP - HEATER CONTROL (CYL. HEAD)	BN4-BJ8	ENG798	835-620	1
EN7350	ENGINE MOUNTING	BN4-BJ8	ENG800	021-341	2





PART	DESCRIPTION	APP	AF	ALT	QPV	
EN7360	REBOUND - ENGINE MOUNTING	BN4-BJ8	ENG801	021-342	2	
EN7370	BRACKET SET RH - ENGINE MTG. (UPRATED)	BN4-BJ8	ENG802	.	1	
EN7371	BRACKET SET LH - ENGINE MTG. (UPRATED)	BN4-BJ8	ENG802A	.	1	
EN7380	WASHERS - BANJO BOLT (PR)	BN4-BJ7	ENG803	324-605	1	
EN7400	FLEXIBLE PIPE - OIL PRESSURE	BN4-BJ8	ENG805	021-711	1	
EN7410	BRASS LEVER - HEATER TAP	BN4-BJ8	ENG806	.	1	
EN7420	PIPE - OIL PRESSURE TO GAUGE (RHD)	BN4-BJ7	ENG807	.	1	
EN7421	PIPE - OIL PRESSURE TO GAUGE (RHD)	BJ8	ENG808	.	1	
EN7422	PIPE - OIL PRESSURE TO GAUGE (LHD)	BN4-BJ8	ENG809	836-630	1	
EN7425	END FITTINGS - OIL PRES. PIPE	BN1-BJ8	.	.	1	
EN7430	ENGINE PAINT - 1 LITRE TIN	BN4-BJ8	ENG810	.	1	
EN7431	ENGINE PAINT - 1/2 LITRE TIN	AR	.	.	As Req	
EN7433	ENGINE PAINT - DAMASK RED (1/2 LITRE TIN) WORKS CARS	BN4-BJ8	.	.	1	
EN7470	ENGINE PAINT - AEROSOL	AR	ENG815	.	As Req	
EN7480	CLIP - OIL PIPE	BN4-BJ8	ENG816	182-600	1	
EN7499	CYLINDER HEAD - RECON. (UNLEADED) EXCH.	BN4.GALLERY	.	.	1	
EN7500	CYLINDER HEAD - RECON. (UNLEADED) EXCH.	BN4-BJ8	ENG820	.	1	
EN7501	CYLINDER HEAD - ALUMINIUM (C/W VALVES)	BN4-BJ8	ENG821	.	1	
EN7505	CYLINDER HEAD - ALUMINIUM (C/W VALVES) FAST ROAD	BN4-BJ8	CENG999AR	.	1	
EN7506	CYLINDER HEAD - ALUMINIUM (C/W VALVES) FULL RACE	BN4-BJ8	CENG999AF	.	1	
EN7515	STUD KIT - ALUMINIUM CYL. HEAD	BN4-BJ8	CENG999S	.	1	
EN7540	ADJUSTING STRAP - DYNAMO	BN4-BJ8	ENG825	.	1	
EN7550	BLOCK OIL WAY REPAIR	BN4-BJ8	.	.	1	

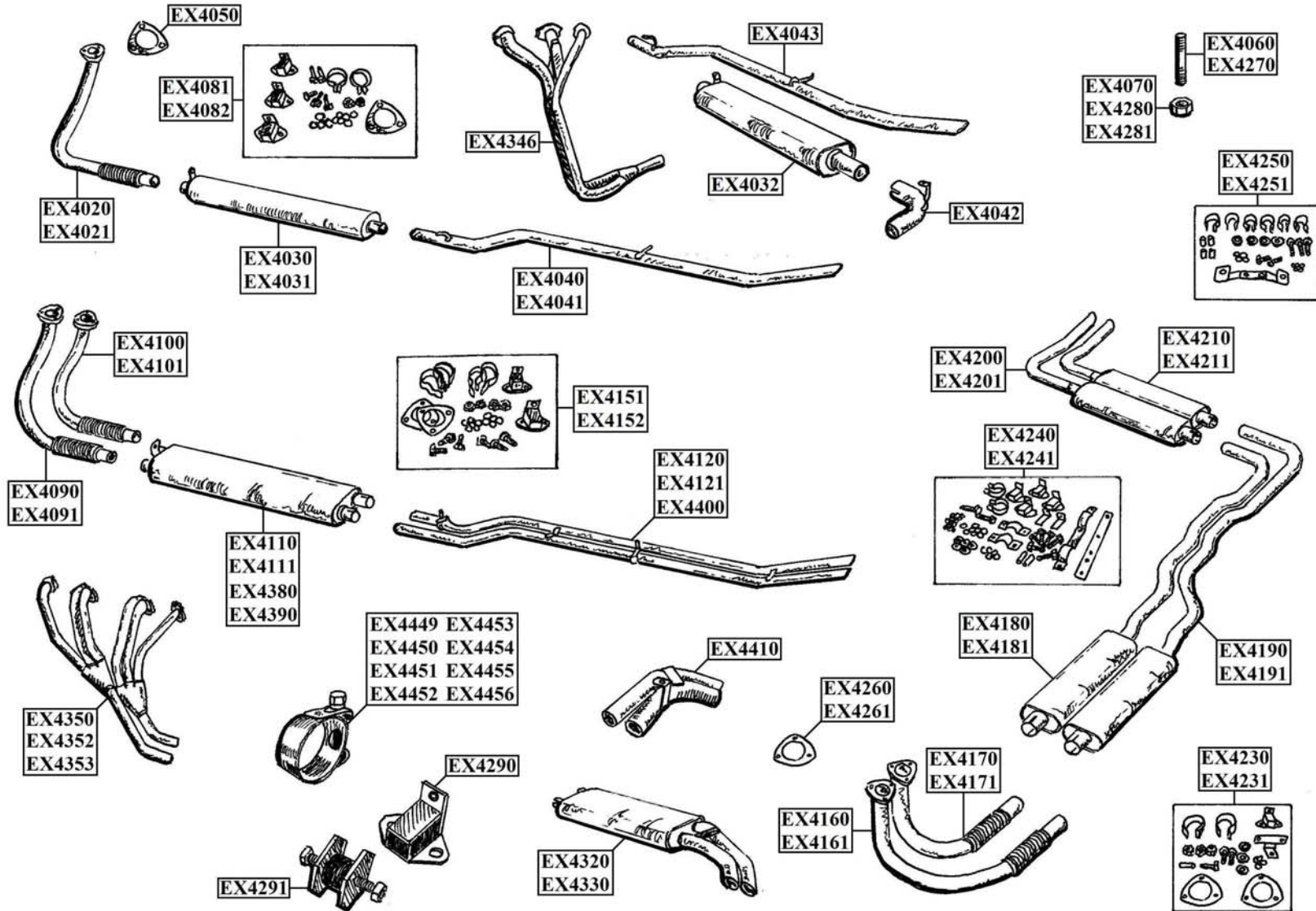




PART	DESCRIPTION	APP	AF	ALT	QPV	
EX4010	COMPLETE SYSTEM - M.S.	BN1-BN2	EXS101	.	1	
EX4011	COMPLETE SYSTEM - S.S.	BN1-BN2	EXS108	.	1	
EX4020	FRONT PIPE - M.S.	BN1-BN2	EXS102	.	1	
EX4021	FRONT PIPE - S.S.	BN1-BN2	EXS105	.	1	
EX4026	EXHAUST "Y" PIECE - M.S.	100M	CEXS102Y	.	1	
EX4030	SILENCER BOX - M.S.	BN1 - BN2	EXS103	.	1	
EX4031	SILENCER BOX - S.S.	BN1 - BN2	EXS106	.	1	
EX4032	SILENCER - BIG BORE M.S.	100M	CEXS104	.	1	
EX4040	TAIL PIPE - M.S.	BN1 -BN2	EXS104	.	1	
EX4041	TAIL PIPE -S.S.	BN1 -BN2	EXS107	.	1	
EX4042	TAIL PIPE SIDE EXIT - M.S.	100M	CEXS104S	.	1	
EX4043	TAILPIPE - BIG BORE (REAR EXIT)	100M	CEXS104T	.	1	
EX4050	GASKET - PIPE TO MANIFOLD	BN1 -BN2	EXS110	.	1	
EX4060	BRASS NUT - PIPE TO MANIFOLD	BN1 -BN2	EXS111	311-015	3	
EX4070	STUD - MANIFOLD TO PIPE	BN1 -BN2	EXS112	.	3	
EX4080	CLAMP 1.3/4"	BN1 -BN2	EXS114	.	2	
EX4081	EXHAUST MOUNTING KIT - M.S.	BN1 -BN2	EXS115	.	1	
EX4082	EXHAUST MOUNTING KIT - S.S.	BN1 -BN2	EXS116	.	1	
EX4090	FRONT PIPE - FRONT - M.S.	BN4-BJ7	EXS120	.	1	
EX4091	FRONT PIPE - FRONT - S.S.	BN4-BJ7	EXS125	.	1	
EX4100	FRONT PIPE - REAR M.S.	BN4-BJ7	EXS121	.	1	
EX4101	FRONT PIPE - REAR S.S.	BN4-BJ7	EXS126	.	1	
EX4110	SILENCER BOX - M.S.	BN4-BJ7	EXS122	.	1	
EX4111	SILENCER BOX - S.S.	BN4-BJ7	EXS127	.	1	
EX4120	TAIL PIPE - M.S.	BN4-BJ7	EXS123	.	1	
EX4121	TAIL PIPE - S.S.	BN4-BJ7	EXS128	.	1	
EX4130	COMPLETE SYSTEM - M.S.	BN4-BJ7	EXS124	.	1	
EX4131	COMPLETE SYSTEM - S.S.	BN4-BJ7	EXS129	.	1	
EX4140	CLAMP (1.7/8") - F.PIPE/SILENCER	BN4-BJ7	EXS130	.	2	
EX4150	CLAMP (1.1/2") - T.PIPE/SILENCER	BN4-BJ7	EXS132	.	2	
EX4151	EXHAUST MOUNTING KIT - M.S. (USE EX4152)	BN4-BJ7	EXS133	.	1	

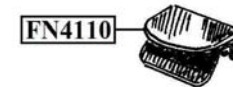
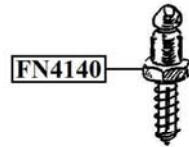
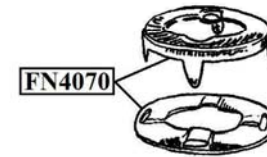
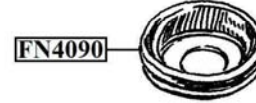
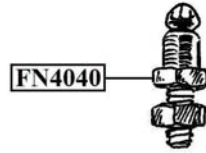
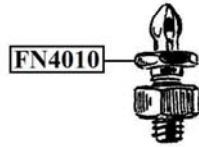
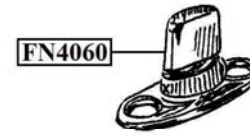
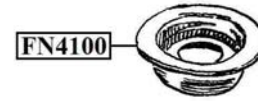
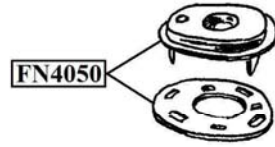
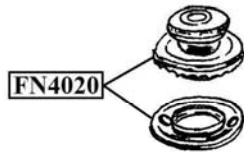
PART	DESCRIPTION	APP	AF	ALT	QPV	
EX4152	EXHAUST MOUNTING KIT - S.S.	BN4-BJ7	EXS134	.	1	
EX4160	FRONT PIPE - FRONT (M.S.)	BJ8	EXS140	.	1	
EX4161	FRONT PIPE - FRONT (S.S.)	BJ8	EXS147	.	1	
EX4170	FRONT PIPE - REAR (M.S.)	BJ8	EXS141	.	1	
EX4171	FRONT PIPE - REAR (S.S.)	BJ8	EXS148	.	1	
EX4180	SILENCER & PIPE - INNER (M.S.)	BJ8	EXS142	.	1	
EX4181	SILENCER & PIPE - INNER (S.S.)	BJ8	EXS149	.	1	
EX4190	SILENCER & PIPE - OUTER (M.S.)	BJ8	EXS143	.	1	
EX4191	SILENCER & PIPE - OUTER (S.S.)	BJ8	EXS150	.	1	
EX4200	REAR SILENCER - INNER (M.S.)	BJ8	EXS144	.	1	
EX4201	REAR SILENCER - INNER (S.S.)	BJ8	EXS151	.	1	
EX4210	REAR SILENCER - OUTER (M.S.)	BJ8	EXS145	.	1	
EX4211	REAR SILENCER - OUTER (S.S.)	BJ8	EXS152	.	1	
EX4220	COMPLETE SYSTEM - M.S.	BJ8	EXS146	.	1	
EX4221	COMPLETE SYSTEM - S.S.	BJ8	EXS153	.	1	
EX4230	EXHAUST MOUNTING KIT - FRONT (M.S.)	BJ8	EXS160	.	1	
EX4231	EXHAUST MOUNTING KIT - FRONT (S.S.)	BJ8	EXS165	.	1	
EX4240	EXHAUST MOUNTING KIT - INTERMEDIATE (M.S.)	BJ8	EXS161	.	1	
EX4241	EXHAUST MOUNTING KIT - INTERMEDIATE (S.S.)	BJ8	EXS166	.	1	
EX4250	EXHAUST MOUNTING KIT - REAR (M.S.)	BJ8	EXS162	.	1	
EX4251	EXHAUST MOUNTING KIT - REAR (S.S.)	BJ8	EXS167	.	1	
EX4260	GASKET - PIPE TO MANIFOLD	BN4-BJ8	EXS170	.	2	
EX4261	GASKET-PIPE TO MANIFOLD (PAYEN)	BN4-BJ8	.	.	2	
EX4270	STUD - MANIFOLD TO PIPE	BN4-BJ8	EXS171	.	6	
EX4280	BRASS NUT - MANIFOLD TO PIPE	BN4-BJ8	EXS172	.	6	
EX4290	RUBBER MOUNTING BRACKET	BN4-BJ8	EXS173	.	3 OR 5	
EX4291	EXHAUST MOUNTING BOBBIN - HEAVY DUTY	BN1-BJ8	CEXS173A	.	3 OR 5	
EX4292	EXHAUST MOUNTING KIT - SIDE EXIT SILENCER	BN4-BJ8	CEXS173	.	1	
EX4300	CHROME EXHAUST TRIM - STRAIGHT	BN1-BN2	EXS180	.	1	
EX4301	EXHAUST TRIM - STRAIGHT (S.S.)	BN4-BJ7	EXS181	.	2	
EX4302	CHROME EXHAUST TRIM - STRAIGHT	BJ8	EXS182	.	2	





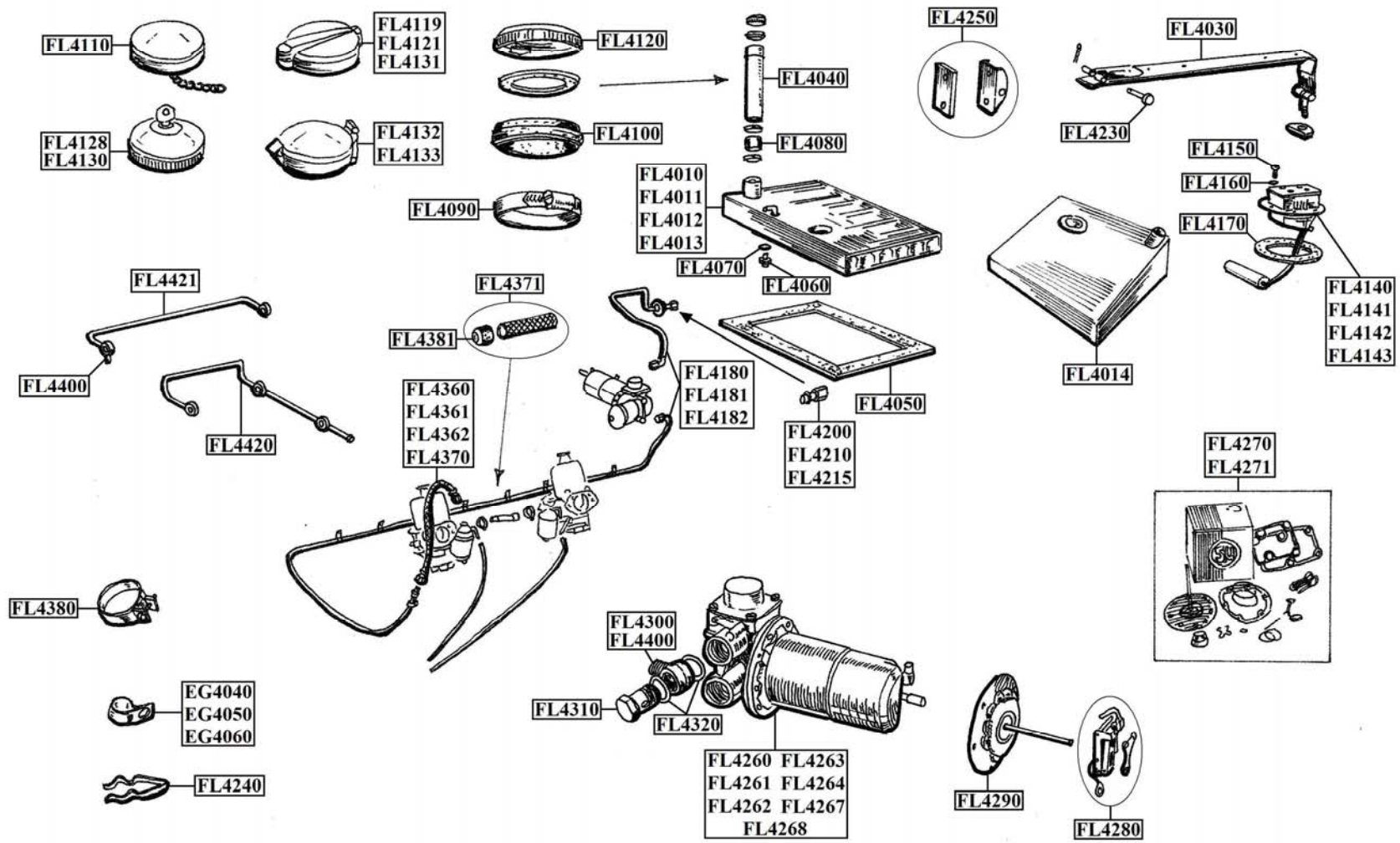
PART	DESCRIPTION	APP	AF	ALT	QPV	
EX4310	CHROME EXHAUST TRIM - CURVED	BJ8	EXS183	.	2	
EX4320	SIDE EXIT SILENCER - M.S.	BJ8	.	.	1	
EX4330	SIDE EXIT SILENCER - M.S.	BN4-BJ7	.	.	1	
EX4346	EXHAUST MANIFOLD - TUBULAR STEEL	100M	.	.	1	
EX4350	EXH. MANIFOLD - S.S. PERFORMANCE (WITH EX4360/70)	BJ8	EXS190	.	1	
EX4352	EXHAUST MANIFOLD - M.S.(6 BRANCH) SU CARB	BN4-BJ8	CEXS120	.	1	
EX4353	EXHAUST MANIFOLD - M.S. (6 BRANCH) TRIPLE WEBER	BN4-BJ8	CEXS120R	.	1	
EX4360	EXHAUST SILENCER & TAIL PIPES - S.S.(SIDE EXIT) (EX4350)	BJ8	EXS192	.	1	
EX4380	SILENCER BIG BORE - M.S. (WITH EX4420)	BN4-BJ8	CEXS127S	.	1	
EX4390	SILENCER - BIG BORE (S.S.)	BN4-BJ7	EXS196	.	1	
EX4400	TAIL PIPE - BIG BORE (S.S.)	BN4-BJ7	EXS197	.	1	
EX4410	SIDE EXIT PIPE - BIG BORE (S.S.)	BN4-BJ7	EXS198	.	1	
EX4419	TAIL PIPES (PR) - M.S. PLAIN ENDS (WITH EX4380)	BN4-BJ8	.	.	1	
EX4420	TAIL PIPES (PR) - M.S. WITH S.S. ENDS (WITH EX4380)	BN4-BJ8	CEXS127TTS	.	1	
EX4430	SPORTS EXHAUST SYSTEM - S.S.	BJ8	EXS200	.	1	
EX4450	SUPER CLAMP - 40-43MM (STAINLESS STEEL)	AR	EXS210	.	As Req	
EX4451	SUPER CLAMP - 43-47MM (STAINLESS STEEL)	AR	EXS211	.	As Req	
EX4452	SUPER CLAMP - 47-51MM (STAINLESS STEEL)	AR	EXS212	.	As Req	
EX4453	SUPER CLAMP - 51-55MM (STAINLESS STEEL)	AR	EXS213	.	As Req	
EX4454	SUPER CLAMP - 55-59MM (STAINLESS STEEL)	AR	EXS214	.	As Req	
EX4455	SUPER CLAMP - 59-63MM (STAINLESS STEEL)	AR	EXS215	.	As Req	
EX4456	SUPER CLAMP - 63-68MM (STAINLESS STEEL)	AR	EXS216	.	As Req	
EX4470	EXHAUST WRAP - 1" x 50 FT ROLL	ALL	EXS216	.	As Req	





PART	DESCRIPTION	APP	AF	ALT	QPV	
FN4010	TENAX STUD - WITH NUT	ALL	FSN101	227-700	1OR3	
FN4020	TENAX TOP - WITH PLATE	ALL	FSN102	227-600	1OR3	
FN4030	LEATHER WASHER	ALL	FSN103	435-515	1OR3	
FN4040	LIFT A DOT STUD - WITH NUT	ALL	FSN105	226-600	1OR3	
FN4050	LIFT A DOT PLATE - ASSY	ALL	FSN106	226-308	1OR3	
FN4060	TURN BUTTON	ALL	FSN108	227-500	1OR3	
FN4070	EYELET - TURN BUTTON	ALL	FSN109	227-408	1OR3	
FN4080	BUTTON SNAP	ALL	FSN112	227-108	1OR3	
FN4090	SOCKET - BUTTON SNAP	ALL	FSN113	226-720	1OR3	
FN4100	STUD - BUTTON SNAP	ALL	FSN114	223-720	1OR3	
FN4110	CLIP - REAR HOOD RETAINING	BJ7-BJ8	FSN120	326-185	1OR3	
FN4112	CHROME FINISHER - HIDE M BANDING (HOOD & SEATS)	BN1-BJ8	.	.	2 OR 4	
FN4120	TENAX STUD - LONG SHANK - WITH NUT (1" LONG SHANK)	NON-STD	FSN122	.	1OR3	
FN4130	TENAX STUD - WOOD THREAD	NON-STD	FSN124	.	1OR3	
FN4140	LIFT A DOT STUD - WOOD THREAD	NON-STD	FSN125	.	1OR3	

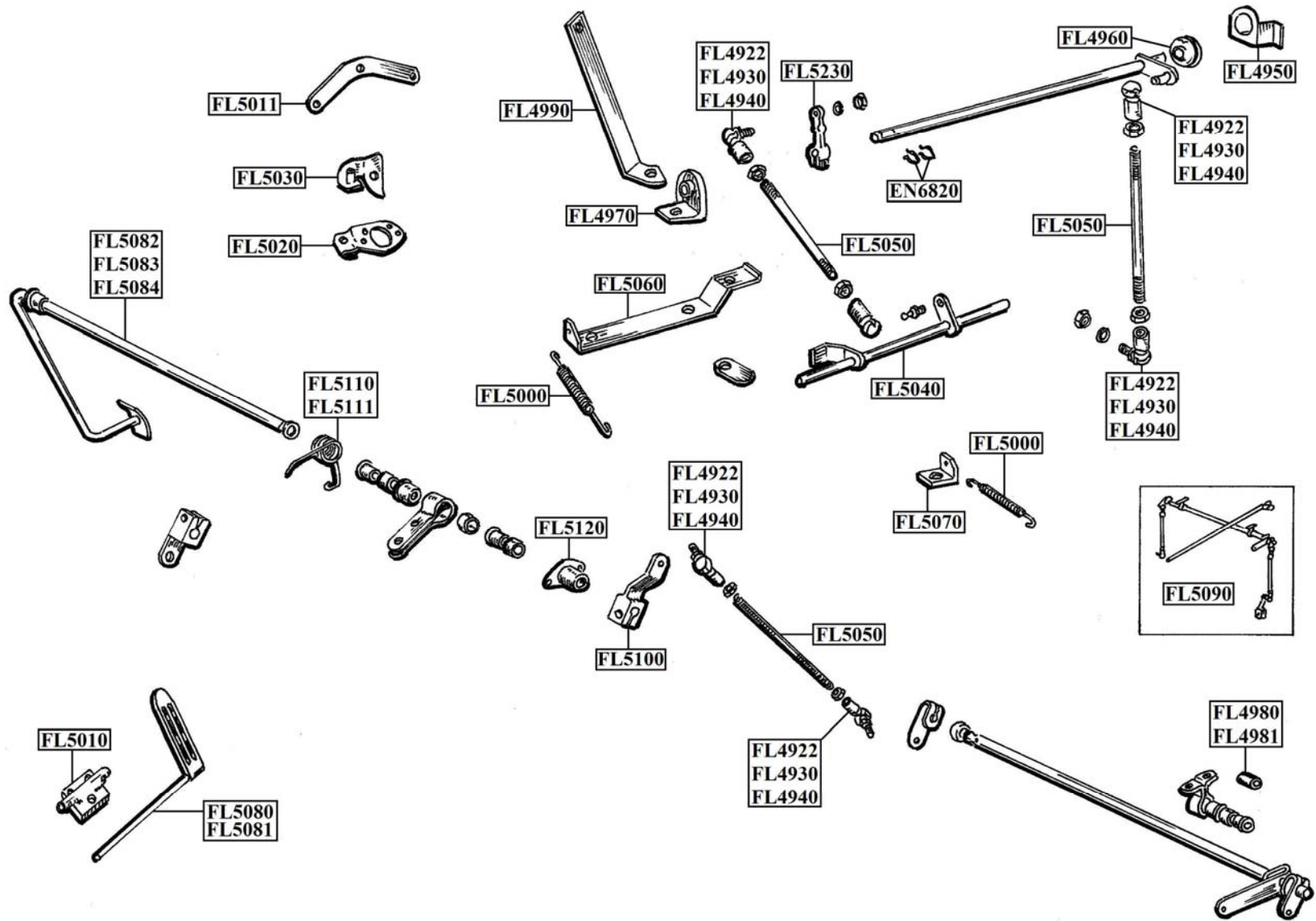




PART	DESCRIPTION	APP	AF	ALT	QPV	
FL4010	PETROL TANK	BN1-BN2	FUL101	849-070	1	
FL4011	PETROL TANK - ALUMINIUM	BN1-BN2	FUL101A	849-075	1	
FL4012	PETROL TANK	BN4-BJ8	FUL102	021-800	1	
FL4013	PETROL TANK - ALUMINIUM	BN4-BJ8	FUL104	021-825	1	
FL4014	RALLY FUEL TANK - ALLOY (80 LITRE)	BN4-BJ8	COM174	.	1	
FL4016	PETROL TANK - ALUMINIUM (FOAM FILLED)	BN4-BJ8	CFUL102A	.	1	
FL4030	STRAP - PETROL TANK	BN4-BJ8	FUL105	851-310	2	
FL4040	FILLER NECK TUBE	BN4-BJ8	FUL106	021-899	1	
FL4050	SEAL - TANK MOUNTING	BN4-BJ8	FUL107	682-400	1	
FL4060	DRAIN PLUG	BN4-BJ8	FUL108	328-280	1	
FL4070	WASHER - DRAIN PLUG	BN4-BJ8	FUL109	324-626	1	
FL4080	RUBBER TUBE - FILLER TO TANK	BN4-BJ8	FUL110	282-620	1	
FL4090	CLAMP - FILLER TUBE	BN4-BJ8	FUL111	326-280	2	
FL4100	GROMMET - FILLER NECK/BODY	BN4-BJ8	FUL112	280-165	1	
FL4110	FILLER CAP	BN1-BN2	FUL113	834-860	1	
FL4119	MONZA CAP-ALLOY 2.5" (INCL COLLAR)	BN4, BT7, BJ7- BJ8.			1	
FL4120	FILLER CAP	BN4-BJ8	FUL114	202-750	1	
FL4121	MONZA CAP - CHROME 2.5" (INCL COLLAR)	BN4-BJ8	FUL114M	.	1	
FL4130	FILLER CAP - LOCKING	BN4-BJ8	FUL115	202-760	1	
FL4131	MONZA CAP LOCKING - CHROME 2.5" (INCL COLLAR)	BN4-BJ8	FUL115M	.	1	
FL4132	CAP LOCKING (ASTON) -CHROME 2.5" (INCL COLLAR)	AR			1	
FL4133	FUEL CAP (ASTON) - CHROME 2.5" (INCL COLLAR)	BN4-BJ8			1	
FL4140	SENDER UNIT - EXCHANGE ONLY	BN1-BJ7	FUL116	.	1	
FL4141	SENDER UNIT - NEW - OUTRIGHT SALE	BN1-BJ7	FUL116N	021-570	1	
FL4142	SENDER UNIT - EXCHANGE ONLY	BJ8	FUL117	.	1	
FL4143	SENDER UNIT - NEW - OUTRIGHT SALE	BJ8	FUL117N	021-571	1	
FL4150	SCREW - SENDER UNIT	BN1-BJ8	FUL118	323-030	6	
FL4160	COPPER WASHER - SENDER UNIT	BN1-BJ8	FUL119	725-040	6	
FL4170	GASKET - SENDER UNIT	BN1-BJ8	FUL120	293-415	1	
FL4180	FUEL PIPE KIT - COPPER	BN1-BN2	FUL121	.	1	
FL4181	FUEL PIPE KIT - COPPER	BN4-BT7	FUL122	.	1	

PART	DESCRIPTION	APP	AF	ALT	QPV	
FL4182	FUEL PIPE KIT - COPPER	BJ7-BJ8	FUL123	.	1	
FL4200	END FITTING - PETROL PIPE	BN4-BJ8	FUL124	.	1	
FL4210	END FITTING - PETROL PIPE	BN1-BN2	FUL125	.	1	
FL4215	END FITTING - PETROL PIPE (MALE)	ALL	.	.	As Req	
FL4220	GROMMET - REAR BULKHEAD PIPE	BN4-BJ8	FUL126	240-515	1	
FL4230	CLEVIS PIN - TANK STRAP	BN1-BJ8	FUL127	021-919	2	
FL4240	CLIP - FUEL PIPE TO CHASSIS	AR(BJ7/8 USE EG4050)	FUL128	326-345	7	
FL4250	BRACKET & PLATE - TANK STRAP	BN7-BJ8	FUL129	021-868	2	
FL4260	PETROL PUMP + EARTH	BN1-BN4.60413	FUL130	377-040	1	
FL4261	PETROL PUMP + EARTH (ELECTRONIC)	BN1-BN4.60413	FUL130E	.	1	
FL4262	PETROL PUMP + EARTH	BN4.60414-BJ8	FUL131	377-160	1	
FL4263	PETROL PUMP + EARTH (ELECTRONIC)	BN4.60414-BJ8	FUL131E	.	1	
FL4264	PETROL PUMP - NEG. EARTH (ELECTRONIC)	BN4.60414-BJ8	FUL131N	.	1	
FL4266	MOUNTING BRACKET - ROUND BODY PUMP	BN4-BJ8	.	.	1	
FL4267	FACET FUEL PUMP - NEG. EARTH (SILVER TOP) FAST RD	BN1-BJ8	COM305	.	1	
FL4268	FACET FUEL PUMP - NEG. EARTH (RED TOP) RACE	BN1-BJ8	.	.	1	
FL4269	MOUNTING BRACKET - SQUARE BODY PUMP	BN4.68960-BJ8	.	.	1	
FL4270	REPAIR KIT - FUEL PUMP	BN1-BN4.60413	FUL130R	.	1	
FL4271	REPAIR KIT - FUEL PUMP	BN4.60414-BJ8	FUL131R	.	1	
FL4280	POINT SET - PETROL PUMP	BN1-BJ8	FUL132	377-080	1	
FL4290	DIAPHRAGM ASSEMBLY - FUEL PUMP	AR	FUL133	377-130	1	
FL4300	BANJO	BN1-BJ8	FUL134	378-120	As Req	
FL4310	BOLT - BANJO	BN1-BJ8	FUL135	370-350	As Req	
FL4320	WASHER - BANJO BOLT	BN1-BJ8	FUL136	370-650	As Req	
FL4360	PETROLFLEX - PIPE TO CARB	BN1-BN2	FUL140	021-710	1	
FL4361	PETROLFLEX - PIPE TO CARB	BN4.58727- BT7.13750	FUL142	021-713	1	
FL4362	PETROLFLEX - PIPE TO CARB	BJ8	FUL145	376-830	1	
FL4370	PETROLFLEX - FRONT TO CENTRE CARB	BN7-BT7(TRI-CARB)	FUL147	376-840	1	
FL4371	PETROLFLEX - BETWEEN CARBS	BT7-BJ8	FUL148	376-870	1	
FL4380	SECURING CLIP - PETROLFLEX/CARB	AR	FUL149	262-200	As Req	
FL4381	RUBBER CAP - PETROLFLEX	AR	FUL149A	.	As Req	

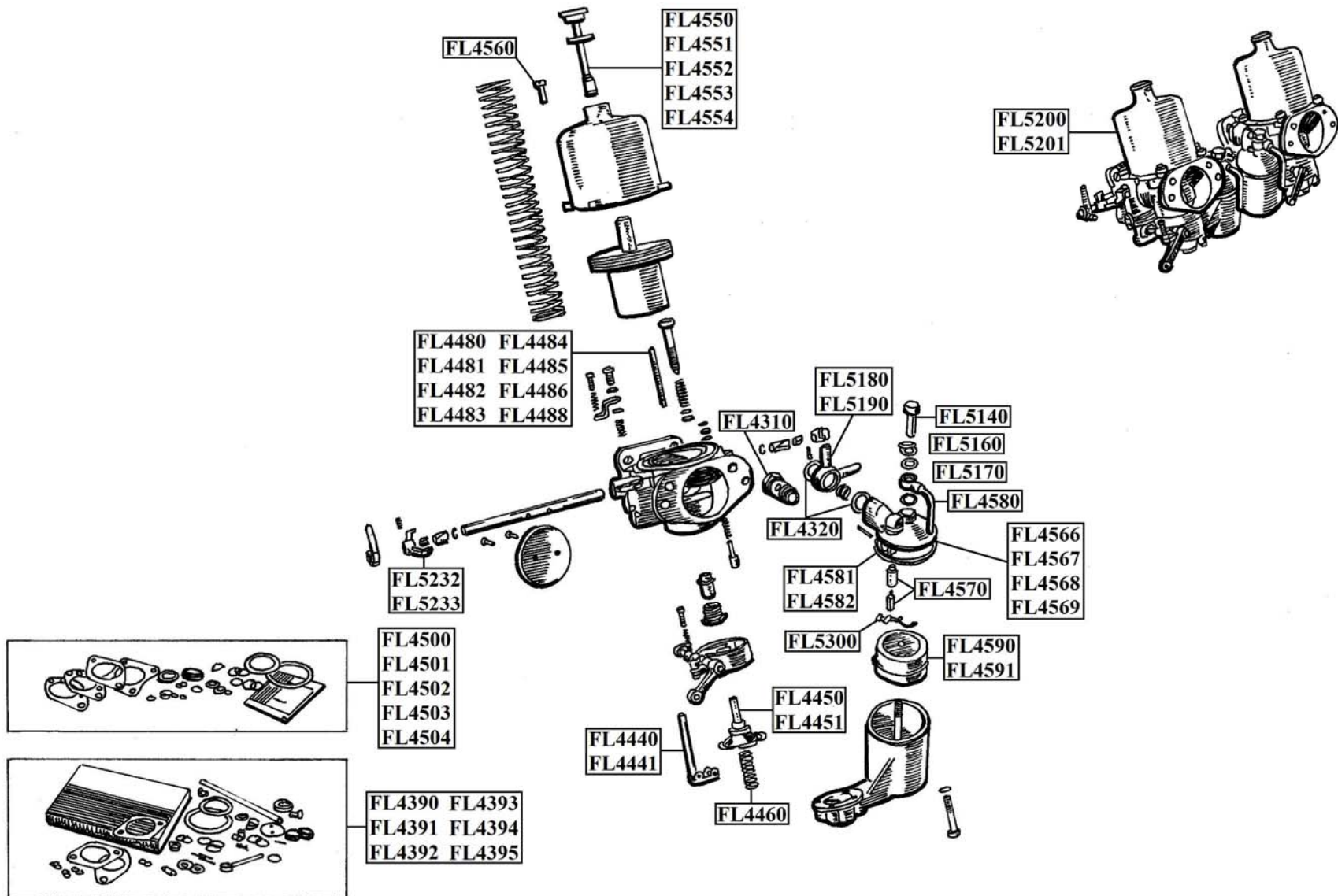




PART	DESCRIPTION	APP	AF	ALT	QPV	
FL4390	H4 REPAIR KIT - BOTH CARBS	BN1-BN2&EARLY.BN4	FUL150	375-518	1	
FL4391	H6 REPAIR KIT - BOTH CARBS	100M	FUL152	375-528	1	
FL4392	HD6 REPAIR KIT - BOTH CARBS	BN4-BT7	FUL154	375-588	1	
FL4393	HS4 REPAIR KIT - ALL 3 CARBS	BN7-BT7(TRI-CARB)	FUL156	375-568	1	
FL4394	HS6 REPAIR KIT - BOTH CARBS	BJ7	FUL158	375-578	1	
FL4395	HD8 REPAIR KIT - BOTH CARBS	BJ8	FUL160	375-598	1	
FL4400	BANJO - SCREWED DOUBLE (90 DEGREE) NON STD	AR	FUL162	370-115	As Req	
FL4420	PIPE ASSY - CARB TO CARB	BN1-BN2	FUL164	021-918	1	
FL4421	PIPE ASSY - CARB TO CARB	BN4-BT7	FUL165	021-874	1	
FL4440	JET - FRONT & REAR H4	BN1-BN2	FUL170	370-760	2	
FL4441	JET - FRONT & REAR H4 (LE MANS)	100 SERIES	FUL171	378-350	2	
FL4442	JET - FRONT & REAR HS4	BN7-BT7(TRI-CARB)	FUL173	372-640	2	
FL4443	JET - CENTRE HS4	BN7-BT7(TRI-CARB)	FUL174	372-650	1	
FL4444	JET - FRONT HS6	BJ7	FUL175	378-460	1	
FL4445	JET - REAR HS6	BJ7	FUL176	378-450	1	
FL4450	JET - FRONT & REAR HD6	BN4-BT7	FUL172	378-320	2	
FL4451	JET - FRONT & REAR	BJ8	FUL177	378-330	2	
FL4460	SPRING - DIAPHRAGM	HD CARBS	FUL178	031-994	2	
FL4480	NEEDLE - STANDARD H4	BN1-BN2	FUL180	021-075	2	
FL4481	NEEDLE - STANDARD H6	100M	FUL181	021-076	2	
FL4482	NEEDLE - STANDARD HD6	BN4-BT7	FUL182	854-177	2	
FL4483	NEEDLE - STANDARD HS4	BN7-BT7(TRI-CARB)	FUL183	854-183	3	
FL4484	NEEDLE - STANDARD HS6	BJ7	FUL184	021-086	2	
FL4485	NEEDLE - STANDARD HD8	BJ8	FUL185	021-087	2	
FL4486	NEEDLE - RICH HD8	BJ8	FUL186	021-089	2	
FL4488	NEEDLE - STANDARD HD6 (BO)	BN7&BT7(TRI-CARB)			3	
FL4500	GASKET SET - PER CARBURETTER	H4&H6	FUL190	698-000/010	2	
FL4501	GASKET SET - PER CARBURETTER	HD6	FUL191	698-078	2	
FL4502	GASKET SET - PER CARBURETTER	HS4	FUL192	698-058	2	
FL4503	GASKET SET - PER CARBURETTER	HS6	FUL193	698-098	2	
FL4504	GASKET SET - PER CARBURETTER	HD8	FUL194	698-088	2	

PART	DESCRIPTION	APP	AF	ALT	QPV	
FL4510	PIPING - CARB OVERFLOW (PER FT)	BN1-BJ8	FUL196	.	As Req	
FL4530	FUEL FILTER	H4.H6.HD6.HD8	FUL198	370-270	2	
FL4550	CAP & DAMPER - PLASTIC CAP	H4.H6.HD6	FUL200	378-300	2	
FL4551	CAP & DAMPER - BRASS CAP	H4.H6.HD6	FUL201	370-860	2	
FL4552	CAP & DAMPER - PLASTIC CAP	HS6	FUL202	378-300	2	
FL4553	CAP & DAMPER - BRASS CAP	HS6	FUL203	370-860	2	
FL4554	CAP & DAMPER	HD8	FUL204	021-093	2	
FL4560	SCREW - DASHPOT COVER	AR	FUL205	370-290	As Req	
FL4566	FLOAT LID ASSEMBLY - RH	BJ7(HS6)	.	.	1	
FL4567	FLOAT LID ASSEMBLY - LH	BJ7(HS6)	.	.	1	
FL4568	FLOAT LID ASEMBLY - RH	BJ8(HD8)	.	.	1	
FL4569	FLOAT LID ASEMBLY - LH	BJ8(HD8)	.	.	1	
FL4570	NEEDLE VALVE - PLASTIC FLOAT	AR	FUL206	373-625	As Req	
FL4580	OVERFLOW PIPE	H&HD.CARBS	FUL207	451-250	2	
FL4581	GASKET - FLOAT CHAMBER LID	H4.H6.HD6.HD8	FUL208	294-900	2	
FL4582	GASKET - FLOAT CHAMBER LID	HS4.HS6	FUL208A	378-360	2 OR 3	
FL4590	FLOAT KIT - H & HD CARBS	H&HD CARBS	FUL209	370-010	2	
FL4591	FLOAT KIT - HS4 & HS6 CARBS	HS4&HS6 CARBS	FUL210	378-470	As Req	
FL4600	GASKET - CARB TO HEATSHIELD	HS4	FUL211	294-710	6	
FL4610	GASKET - CARB TO HEATSHIELD	HD6.HS6	FUL212	696-010	2	
FL4619	SPACER - CARB TO HEATSHIELD 1 3/4" x 6MM	H6, HD6 & HS6	.	.	2	
FL4620	SPACER - CARB TO HEATSHIELD	HS6	FUL213	696-060	2	
FL4621	SPACER - CARB TO HEATSHIELD	H4	FUL213A	372-030	2	
FL4622	SPACER - CARB TO HEATSHIELD	HD8	FUL213B	696-070	2	
FL4630	GASKET - CARB TO HEATSHIELD	HD8	FUL214	529-120	4	
FL4640	GASKET - WEBBER CARB TO MANIFOLD	BN4-BJ8	CFUL262	.	6	
FL4650	GASKET - CARB TO AIR FILTER	HD6.HS6	FUL215	696-020	2	
FL4651	GASKET - CARB TO AIR FILTER (NON-STD CORK)	HD6.HS6	FUL215A	.	2	
FL4652	GASKET - CARB TO AIR FILTER	H4.HS4	FUL216	294-800	2 OR 3	
FL4670	GASKET - CARB TO AIR FILTER	HD8	FUL219	696-030	2	
FL4671	GASKET - CARB TO AIR FILTER (NON-STD CORK)	HD8	FUL219A	.	2	

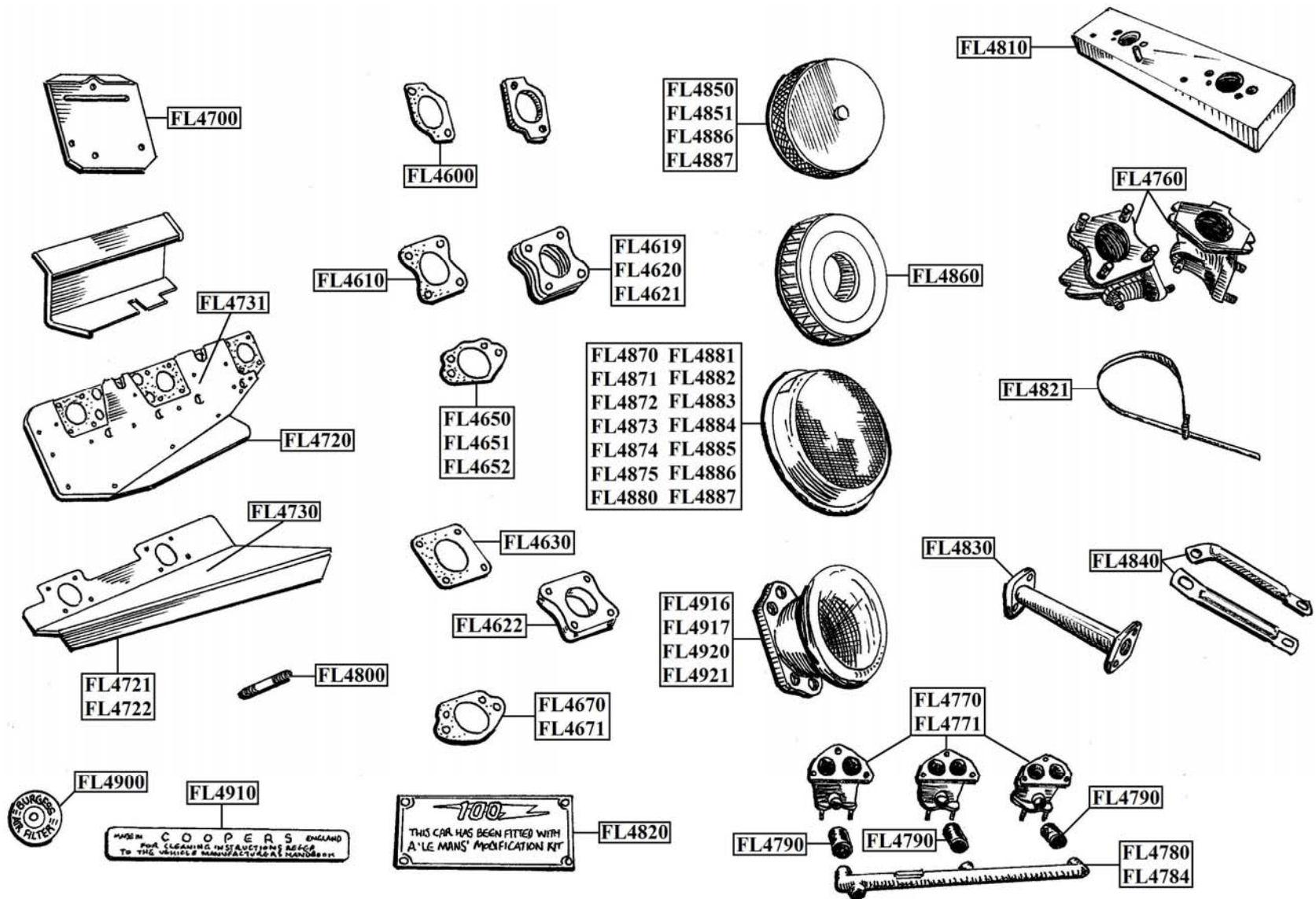




PART	DESCRIPTION	APP	AF	ALT	QPV
FL4690	FULCRUM PIN - BELLCRANK LEVER	BN1-BN2	FUL227	.	1
FL4700	HEATSHIELD	BN1-BN2	FUL228	021-907	1
FL4720	HEATSHIELD ASSY - 1.1/2"X3	BN7-BT7(TRI-CARB)	FUL230	372-125	1
FL4721	HEATSHIELD ASSY - 1.3/4" CARBS	AR	FUL232	372-105	1
FL4722	HEATSHIELD ASSY - 2" CARBS	BJ8	FUL233	372-115	1
FL4730	INSULATION PIECE - HEATSHIELD	BN6-BJ8(TWIN CARB)	FUL235	.	1
FL4731	INSULATION - HEATSHIELD (PR)	BN7-BT7(TRI-CARB)	FUL236	.	1
FL4750	BRACKET - SHROUD SUPPORT (USE WITH FL4810)	100M	FUL238	805-375	1
FL4760	INLET MANIFOLDS - LE MANS (PR) 1.3/4"	BN1-BN2	FUL240	366-760	1
FL4770	INLET MANIFOLDS - CAR SET COMP. (SET OF 3-2" S.U.)	BN4-BJ8	FUL241	.	1
FL4771	INLET MANIFOLDS - TRIPLE S.U. (SET OF 3)	BN4-BJ8	CFUL241	.	1
FL4780	BALANCE PIPE - TRI. CARB (2ND HAND)	BN7-BT7(TRI-CARB)	.	.	1
FL4784	FUEL RAIL - TRIPLE WEBER	BN1-BJ8	CFUL400P	.	1
FL4790	PIPE - TAKE OFF (1.3/4" & 2")	BN7-BT7(TRI-CARB)	FUL244	.	3
FL4800	STUD - MANIFOLD TO CARBS	BN4(E)40500-BJ8	FUL245	021-434	8
FL4810	COLD AIR BOX	100M	FUL246	724-090	1
FL4820	PLAQUE - COLD AIR BOX	100M	FUL247	366-775	1
FL4821	STRIP & BUCKLE CLIP - TRUNKING	100M	FUL247A	326-360	1
FL4823	ADAPTER - COLD AIR BOX PIPE	BN1-BN2	FUL246P	366-770	1
FL4825	FILTER CONE	100M	CFUL250A	.	1
FL4830	BALANCE PIPE - WITH FLANGE	BN1-BN2	FUL248	366-765	1
FL4840	SUPPORT STRUTS - CARBURETTER (PR)	BN1-BN2	FUL249	376-098	1
FL4850	AIR FILTER - FRONT (EARLY)	BN1-BN4	FUL250	372-095	1
FL4851	AIR FILTER - REAR (EARLY)	BN1-BN4	FUL251	372-085	1
FL4860	ELEMENT - AIR CLEANER (NON-STD)	BN1-BN4	FUL254	.	2
FL4870	AIR FILTER - FRONT & CENTRE (PAINTED)	BN7-BT7(TRI-CARB)	FUL257	372-090	2
FL4871	AIR FILTER - FRONT & CENTRE (STAINLESS STEEL)	BN7-BT7(TRI-CARB)	FUL257S	372-090	2
FL4872	AIR FILTER - FRONT (PAINTED)	BN4-BJ7	FUL259	806-016	1
FL4873	AIR FILTER - FRONT (STAINLESS STEEL)	BN4-BJ7	FUL259S	806-016	1
FL4874	AIR FILTER - FRONT (PAINTED)	BJ8	FUL261	806-017	1
FL4875	AIR FILTER - FRONT (STAINLESS STEEL)	BJ8	FUL261S	806-017	1

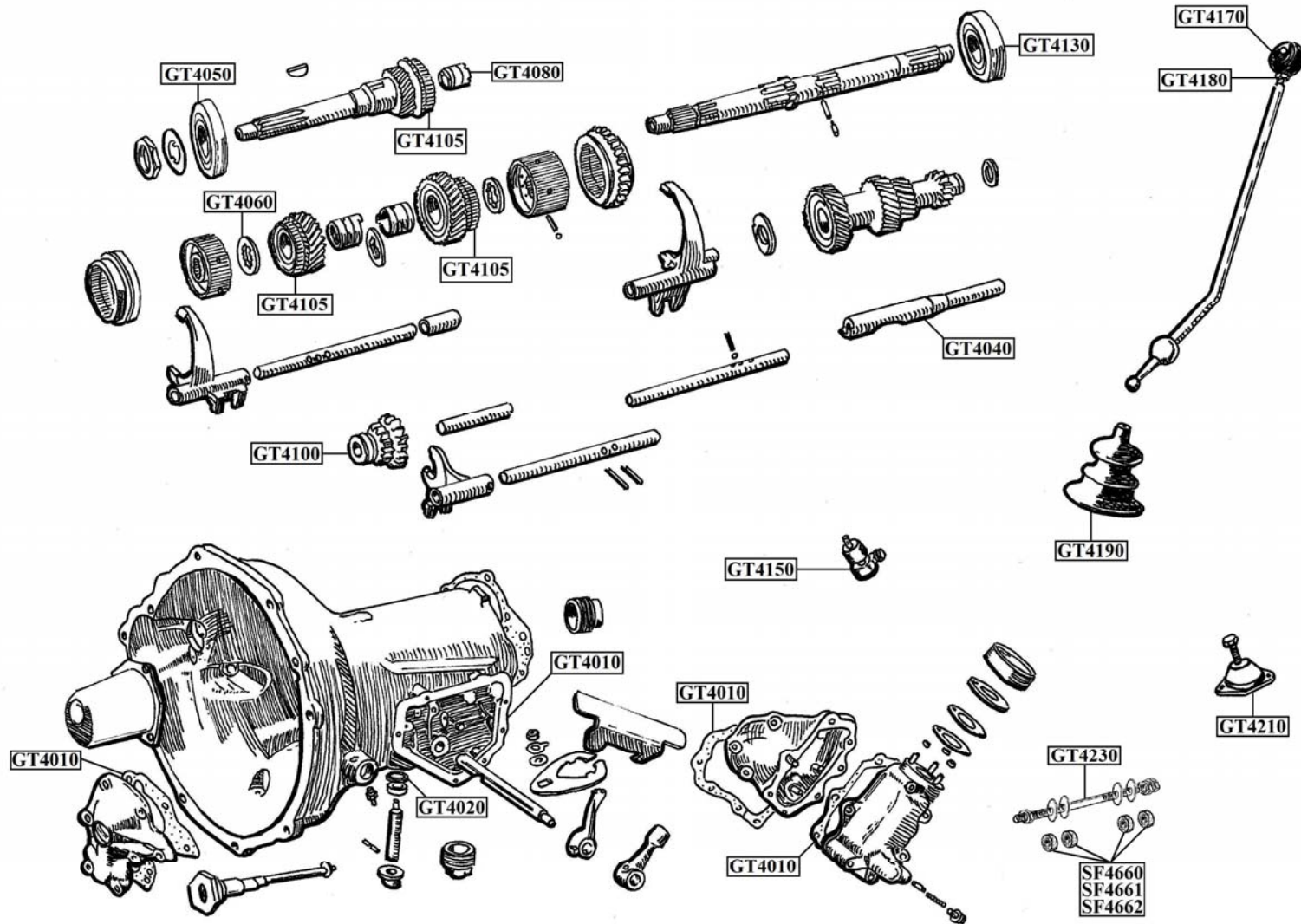
PART	DESCRIPTION	APP	AF	ALT	QPV
FL4880	AIR FILTER - REAR (PAINTED)	BN7-BT7(TRI-CARB)	FUL258	372-080	1
FL4881	AIR FILTER - REAR (STAINLESS STEEL)	BN7-BT7(TRI-CARB)	FUL258S	372-080	1
FL4882	AIR FILTER - REAR (PAINTED)	BN4-BJ7	FUL260	806-002	1
FL4883	AIR FILTER - REAR (STAINLESS STEEL)	BN4-BJ7	FUL260S	806-002	1
FL4884	AIR FILTER - REAR (PAINTED)	BJ8	FUL262	806-005	1
FL4885	AIR FILTER - REAR (STAINLESS STEEL)	BJ8	FUL262S	806-005	1
FL4886	AIR FILTER - RAMFLOW (FRONT OR REAR)	1.3/4"(H,HD,HS6 CARBS)	.	.	2
FL4887	AIR FILTER - RAMFLOW (FRONT OR REAR)	2"(HD8 CARBS)	.	.	2
FL4900	DECAL - AIR FILTER	BN1-BN2	FUL266	372-195	2
FL4910	DECAL - AIR FILTER	BN4-BJ8	FUL267	215-690	2 OR 3
FL4912	AIR FILTER KIT - HIGH FLOW (1.3/4" SU) ITG	BN2&BN4(LATE),BN6-BJ7	CFUL259A	.	1
FL4914	AIR FILTER KIT-TRIPLE WEBER (RHD)	AR	CFUL400F	.	1
FL4915	AIR FILTER KIT - TRIPLE WEBBER (ITG) LHD	TRIPLE WEBBER	CFUL400FL	.	1
FL4916	BELL MOUTH - POLISHED ALUM. (1 3/4" SU)	H6, HD6 & HS6	.	.	2 OR 3
FL4917	BELL MOUTH - POLISHED ALUM. (2" SU)	BJ8	.	.	2 OR 3
FL4918	FILTER SOCK - BELL MOUTH (ITG)	ALL	.	.	2 OR 3
FL4920	TRUMPET - CARB - (POLISHED ALLOY)	1.3/4" CARBS	FUL268	222-975	2
FL4921	TRUMPER - CARB - (POLISHED ALLOY)	2" CARBS	FUL269	.	2
FL4922	BALL JOINT - THROTTLE LINKAGE (U.N.F.)	BN1-BN2	FUL269A	372-015	4 OR 6
FL4930	BALL JOINT - THROTTLE LINKAGE (PLASTIC)	BN4.50759-BJ8	FUL270	.	As Req
FL4940	BALL JOINT - THROTTLE LINKAGE (ORIG)	BN4.50759-BJ8	FUL271	372-015	As Req
FL4950	HOUSING - BULKHEAD BUSH	BN4-BJ8	FUL273	021-926	1
FL4960	BUSH, BULKHEAD - THROTTLE SHAFT	BN4-BJ8	FUL274	680-980	1
FL4970	BRACKET, NYLON - THROTTLE SHAFT	BN4-BJ8	FUL275	371-610	1
FL4980	FELT BUSH - THROTTLE LINKAGE	BN4-BJ8	FUL276	021-922	2 OR 3
FL4981	NYLON BUSH - THROTTLE LINKAGE (NON-STD)	BN4-BJ8	FUL277	.	2 OR 3
FL4990	BRACKET - CHOKE CABLE REINFORCEMENT	BJ7-BJ8	FUL277A	.	1
FL5000	THROTTLE SPRING	AR	FUL278	370-335	As Req
FL5010	BRACKET - THROTTLE PEDAL	BN1-BN2	FUL279	021-888	2
FL5011	CHOKE BRACKET ABUTMENT	BN1-BN2	FUL279A	378-025	1
FL5012	STIRRUP KIT - CHOKE CONNECTOR	BN1-BN4.48862	FUL279B	378-010	1



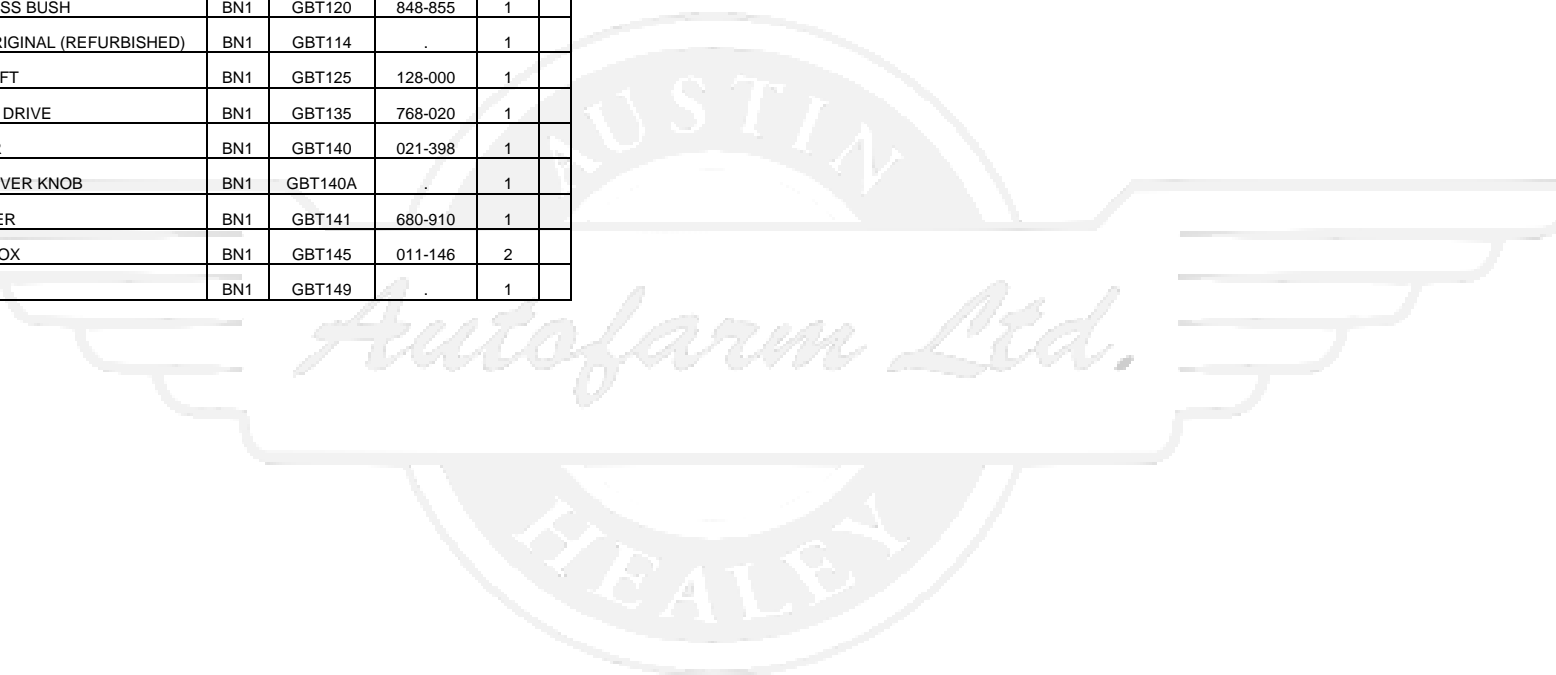


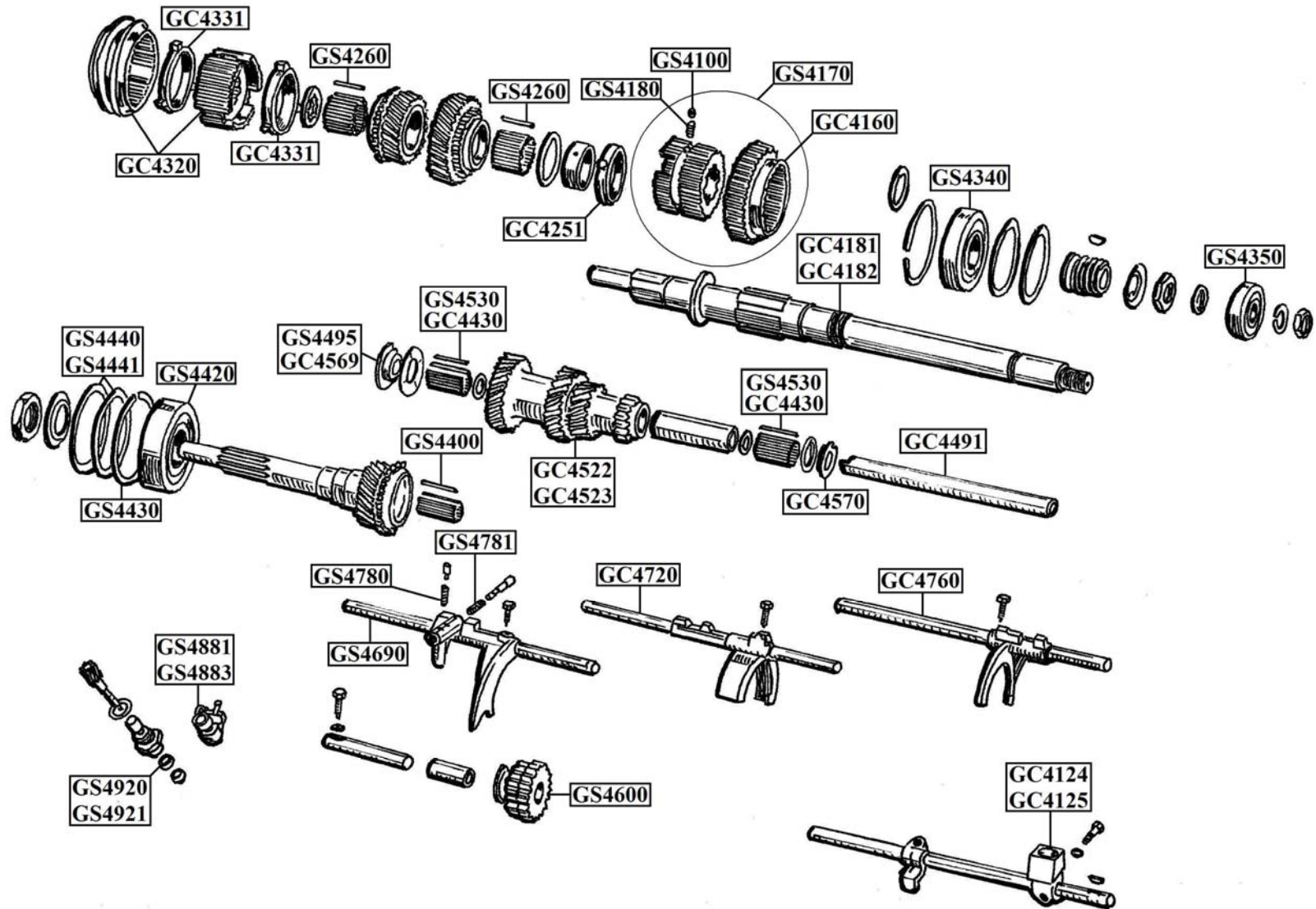
PART	DESCRIPTION	APP	AF	ALT	QPV	
FL5020	CHOKE BRACKET	BN4-BT7(HD6 CARBS)	FUL280	372-075	1	
FL5030	CHOKE BRACKET ABUTMENT	BJ8(HD8 CARBS)	FUL281	372-135	2	
FL5040	SHAFT ASSY - CARB.COUPLING	BJ8	FUL282	021-925	1	
FL5050	CARBURETTER LINK RODS & NUTS (CUT TO LENGTH)	AR	FUL283	.	As Req	
FL5060	MOUNTING BRACKET - THROTTLE BRACKET	BJ7-BJ8	FUL285	372-215	1	
FL5070	BRACKET - THROTTLE RETURN SPRING	BJ7-BJ8	FUL286	372-245	1	
FL5080	THROTTLE PEDAL - RHD	BN1-BN2	FUL290	.	1	
FL5081	THROTTLE PEDAL - LHD	BN1-BN2	FUL291	372-365	1	
FL5082	THROTTLE PEDAL - RHD	BN4-BJ7	FUL292	.	1	
FL5083	THROTTLE PEDAL - LHD	BN4-BJ8	FUL293	.	1	
FL5084	THROTTLE PEDAL - RHD	BJ8	FUL294	.	1	
FL5088	WIDE ACCELERATOR PEDAL	BN4-BJ8	CFUL292	.	1	
FL5090	THROTTLE LINKAGE ASSY - LHD	BJ7-BJ8	FUL295	.	1	
FL5100	BRACKET - THROTTLE SHAFT	BJ7-BJ8	FUL296	.	1	
FL5105	THROTTLE CABLE CONVERSION	BN4-BJ8	.	.	1	
FL5110	SPRING - PEDAL RETURN (RHD)	BN4-BJ8	FUL297	.	1	
FL5111	SPRING - PEDAL RETURN (LHD)	BN4-BJ8	FUL298	021-924	1	
FL5120	CUP - THROTTLE BUSH (FIT WITH FL4980)	BN4-BJ8	FUL299	021-951	1	
FL5140	NUT - FLOAT CHAMBER LID	H4.H6.HD6.HD8	FUL301	370-150	2	
FL5150	RETAINER - CHOKE CABLE	BN4-BT7(HD6 CARBS)	FUL302	378- 600/610	1	
FL5160	WASHER - ALUMINIUM	H4.H6.HD6.HD8	FUL303	370-130	2	
FL5170	WASHER - FIBRE	H4.H6.HD6.HD8	FUL304	370-160	2	
FL5180	BANJO - FLOAT CHAMBER LID	BJ8	FUL305	370-185	1	
FL5190	BANJO - DOUBLE - FLOAT CHAMBER	BJ8	FUL306	370-175	1	
FL5200	CARBURETTERS - H6 (REBUILT-OUTRIGHT)	100M(PAIR)	FUL310	370-798	1	
FL5201	CARBURETTERS (PR) - HD8	BJ8	FUL315	370-898	1	
FL5220	OIL - CARBURETTERS (150ML)	BN1-BJ8	.	.	1	
FL5230	LEVER ASSY	BT7-BJ8	FUL316	.	1	
FL5232	LEVER - LOST MOTION - RH - HD8	BJ8(HD8 CARBS)	.	.	1	
FL5233	LEVER - LOST MOTION - LH - HD8	BJ8(HD8 CARBS)	.	.	1	
FL5235	TRUNNION ASSY. - CHOKE LEVER	BN1-BN2(H4-H6.CARBS)	.	.	2	
FL5300	LEVER - NEEDLE VALVE	BJ8(HD8)	FUL320	371-030	2	





PART	DESCRIPTION	APP	AF	ALT	QPV	
GT4010	GASKET SET	BN1	GBT101	021-054	1	
GT4020	OIL SEAL - INTERLOCK SHAFT	BN1	GBT103	848-800	1	
GT4040	LAYSHAFT	BN1	GBT106	031-331	1	
GT4060	THRUST WASHER - MAINSHAFT (0.157")	BN1	GBT110	461-310	1	
GT4080	BUSH - MAIN/1ST MOTION SHAFT	BN1	GBT112	031-231	1	
GT4100	REVERSE GEAR - LESS BUSH	BN1	GBT120	848-855	1	
GT4105	SYNCHRO RING - ORIGINAL (REFURBISHED)	BN1	GBT114	.	1	
GT4130	BEARING - MAINSHAFT	BN1	GBT125	128-000	1	
GT4150	ADAPTOR - SPEEDO DRIVE	BN1	GBT135	768-020	1	
GT4170	KNOB - GEAR LEVER	BN1	GBT140	021-398	1	
GT4180	LOCKNUT - GEAR LEVER KNOB	BN1	GBT140A	.	1	
GT4190	GAITER - GEAR LEVER	BN1	GBT141	680-910	1	
GT4210	MOUNTING - GEARBOX	BN1	GBT145	011-146	2	
GT4230	TIE BAR ASSEMBLY	BN1	GBT149	.	1	

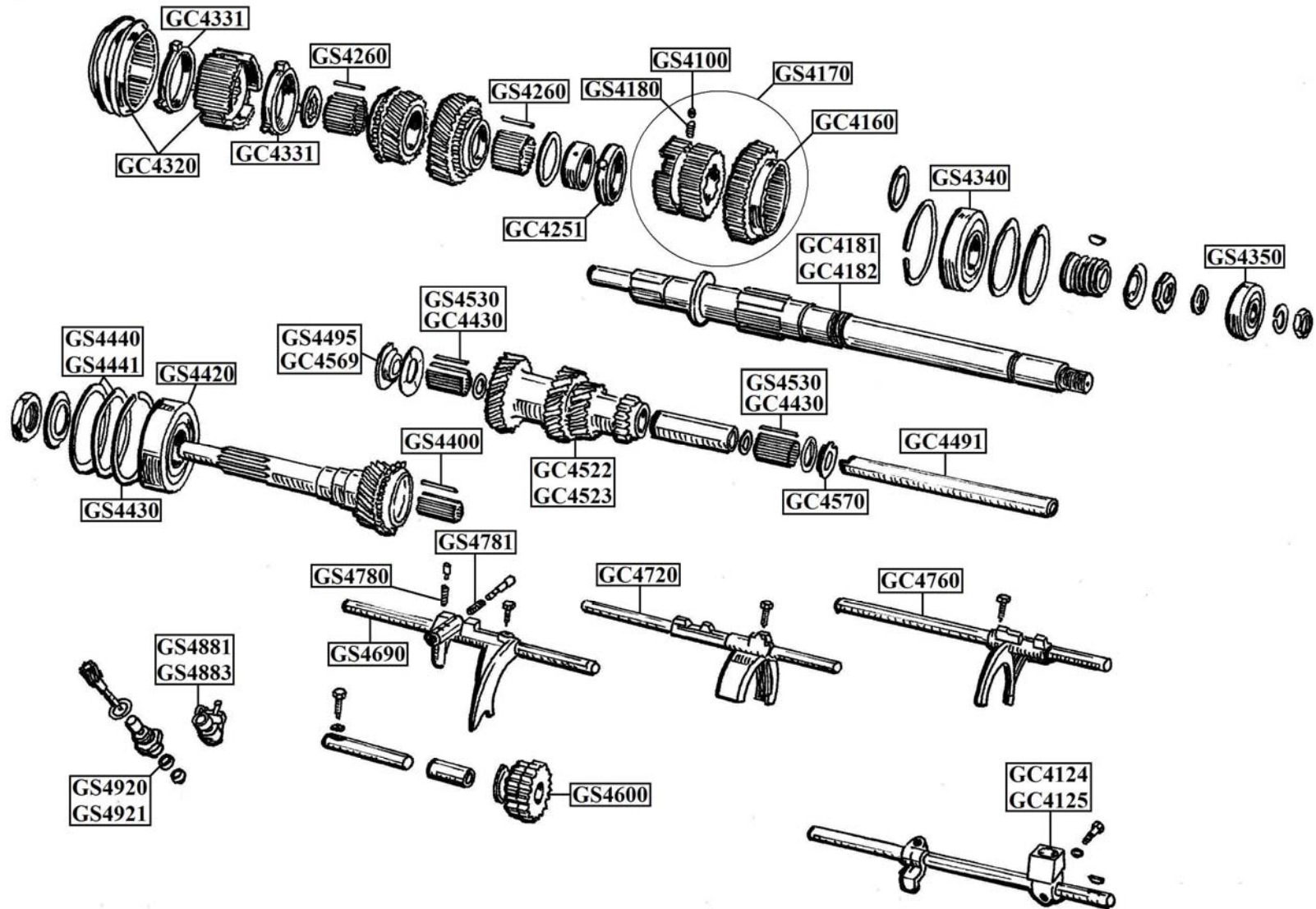




PART	DESCRIPTION	APP	AF	ALT	QPV	
GS4010	GASKET SET	BN2-BT7	GBS101	021-053	1	
GS4020	GAITER - GEAR LEVER	BN2-BT7	GBS102	021-337	1	
GS4030	KNOB - GEAR LEVER	BN2-BT7	GBS103	021-399	1	
GS4031	GEAR LEVER KNOB - WORKS TYPE (INC. O/D SWITCH)	BN4-BJ8	COM160	.	1	
GS4032	SWITCH & HARNESS - COMP. GEAR KNOB	BN4-BJ8	COM170	.	1	
GS4040	LOCKNUT - G/L KNOB	BN2-BJ8	GBS103A	462-510	1	
GS4050	BUSH - GEAR LEVER	BN2-BJ7	GBS104	461-115	1	
GS4060	SCREW - GEAR LEVER LOCATING	BN1-BT7	GBS105	.	1	
GS4070	RUBBER SEAL - COLLAR	BN2-BT7	GBS106	848-765	1	
GS4071	RETAINING PLATE - GEAR LEVER	BN1-BT7	.	.	1	
GS4075	WASHER - RETAINING (GEAR LEVER)	BN2-BT7	.	.	1	
GS4080	RUBBER WASHER - PACKING	BN2-BT7	GBS107	848-770	1	
GS4081	GEAR LEVER	BN2	GBS109	848-985	1	
GS4082	GEAR LEVER - USED (RE-CHROMED)	BN4-BT7	.	.	1	
GS4083	GEAR LEVER - NEW (CHROMED)	BN4-BT7	.	.	1	
GS4090	SPRING - SELECTOR	BN2-BT7	GBS114	329-040	3	
GS4100	BALL - SELECTOR	BN2-BT7	GBS115	329-520	3	
GS4110	DISTANCE PIECE	BN4-BT7	GBS116	.	3	
GS4111	STUD - GEAR LEVER COVER	BN4-BT7	.	.	3	
GS4124	SOCKET - GEAR LEVER	BN2-BT7	.	.	1	
GS4147	MAINSHAFT - OVERDRIVE	BN2-BN4	CGBS120	.	1	
GS4149	MAINSHAFT - OVERDRIVE (2ND HAND)	BT7-BJ7	GBS121	031-345	1	
GS4150	MAINSHAFT - OVERDRIVE	BT7-BJ7	GBS121	.	1	
GS4160	FIRST GEAR - OUTER ONLY	BN2-BT7	GBS124	021-258	1	
GS4170	FIRST GEAR ASSEMBLY	BN2-BT7	GBS125	021-256	1	
GS4180	SPRING - SYNCHRO HUB	BN2-BT7	GBS126	329-125	6	
GS4210	SPRING - GEAR PLUNGER	BN2-BT7	GBS129	442-110	2	
GS4220	BAULK RING - 2ND GEAR	BN2-BJ7	GBS130	021-325	1	
GS4240	THRUST PLATE - 2ND GEAR	BN2-BT7	GBS132	848-850	1	
GS4250	THRUST WASHER - 2ND GEAR	BN2-BT7	GBS133	848-960	2	
GS4260	NEEDLE ROLLER - 2ND & 3RD GEAR	BN2-BT7	GBS134	021-271	65	

PART	DESCRIPTION	APP	AF	ALT	QPV	
GS4261	OIL SEAL - REAR (NON O/D)	BN2-BT7	GBS192	120-800	1	
GS4270	GEAR - 2ND SPEED	BN7-BT7	GBS135	.	1	
GS4300	BAULK RING - 3RD & 4TH GEAR	BN2-BT7	GBS140	021-327	2	
GS4320	SYNCHRO HUB - 3RD & 4TH GEAR	BN2-BT7	GBS142	031-251	1	
GS4340	BEARING - REAR MAINSHAFT	BN2-BT7	GBS144	128-200	1	
GS4350	BEARING REAR EXTENSION (NON O/D)	BN4-BJ8	GBS145	127-800	1	
GS4390	OIL SEAL - 1ST MOTION SHAFT	BN2-BT7	GBS149	021-192	1	
GS4400	NEEDLE ROLLER - 1ST MOTION SHAFT	BN2-BT7	GBS150	021-270	18	
GS4420	BEARING - 1ST MOTION SHAFT	BN2-BT7	GBS152	620-586	1	
GS4430	CIRCLIP - BEARING	BN2-BT7	GBS153	326-740	1	
GS4440	SHIM - FRONT BEARING (0.002")	BN2-BT7	GBS154	848-930	1OR3	
GS4441	SHIM - FRONT BEARING (0.005")	BN2-BT7	GBS155	848-940	1OR3	
GS4470	LAYSHAFT	BN2-BJ7	GBS159	021-331	1	
GS4495	THRUST PLATE - FRONT (LAYGEAR) 2ND HAND	BN2-BJ7	.	.	1	
GS4500	LAYGEAR - RECONDITIONED (EXCH. ONLY)	BN2-BN6	GBS162	021-250	1	
GS4501	LAYGEAR - RECONDITIONED (EXCH. ONLY)	BN7-BT7	GBS163A	843-080	1	
GS4502	LAYGEAR - RECONDITIONED (EXCH. ONLY)	BN7-BT7	GBS164	021-252	1	
GS4503	LAYGEAR - NEW (OUTRIGHT SALE)	BN7-BT7	GBS164N	.	1	
GS4504	LAYGEAR - RECONDITIONED (EXCH. ONLY)	BN7-BT7	GBS166	021-251	1	
GS4505	LAYGEAR - NEW (OUTRIGHT SALE)	BN7-BT7	GBS166N	.	1	
GS4510	STRAIGHT CUT GEAR SET - SEBRING (MOLYBDENUM COATED)	ENQUIRE	COM220	.	1	
GS4515	STRAIGHT CUT GEAR SET - TULIP (MOLYBDENUM COATED)	ENQUIRE	COM221	.	1	
GS4520	LAYGEAR - STRAIGHT CUT (SEBRING)	BN2-BJ8	XCGBS301S/L	.	1	
GS4530	NEEDLE ROLLER - LAYGEAR	BN2-BT7	GBS169	031-237	46	
GS4550	THRUST WASHER - FRONT (LAYGEAR)	BN4-BT7	GBS171	031-239	1	
GS4570	THRUST WASHER - REAR (0.080")	BN2-BT7	GBS179	.	1	
GS4571	THRUST WASHER - REAR (0.082")	BN2-BT7	GBS180	.	1	
GS4572	THRUST WASHER - REAR (0.085")	BN2-BT7	GBS181	.	1	
GS4573	THRUST WASHER - REAR (0.087")	BN2-BT7	GBS182	.	1	
GS4574	THRUST WASHER - REAR (0.090")	BN2-BT7	GBS183	.	1	
GS4600	REVERSE GEAR	BN2-BT7	GBS189	845-800	1	

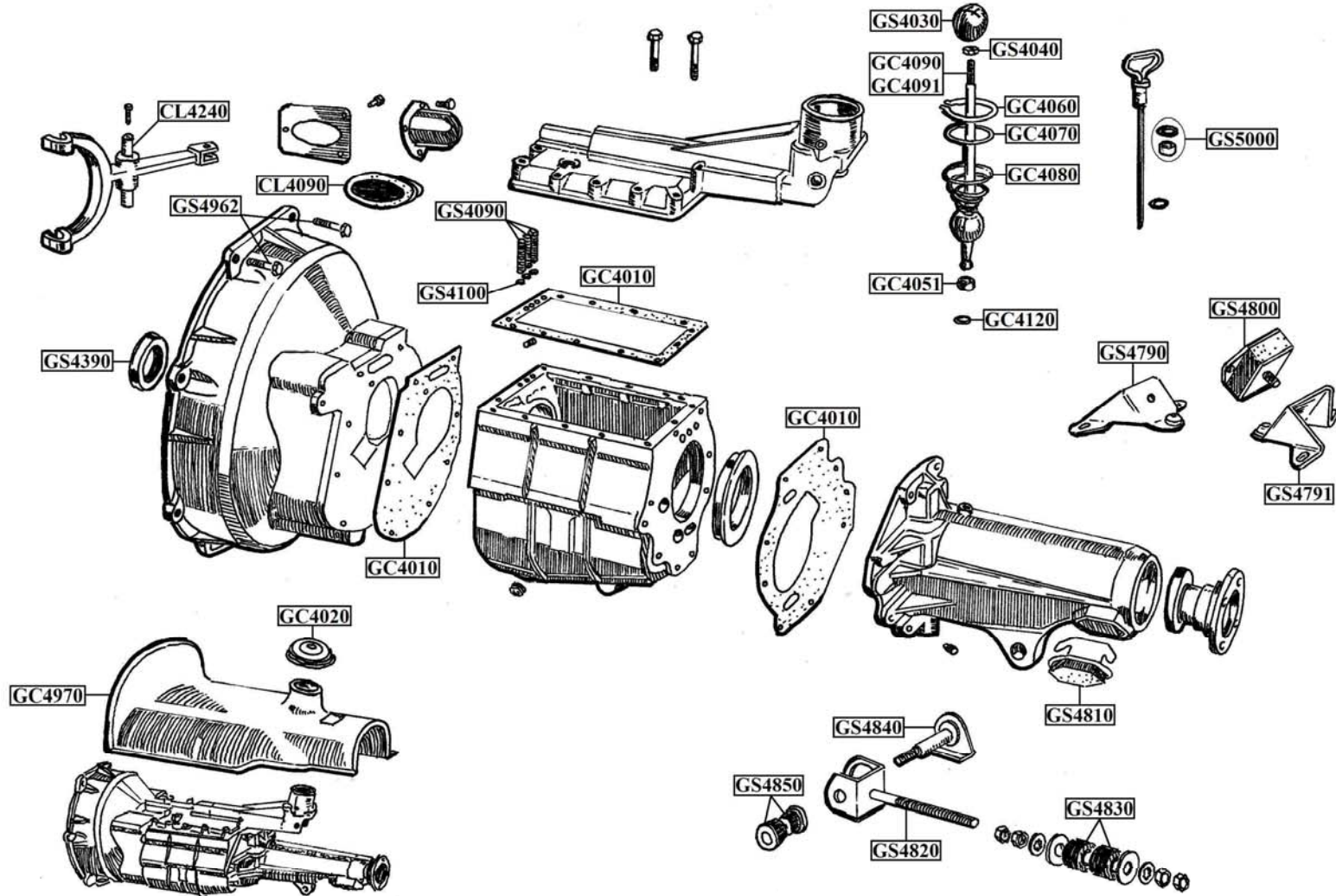




PART	DESCRIPTION	APP	AF	ALT	QPV	
GS4620	OIL SEAL - REAR (O/D)	BN2-BT7	GBS191	121-125	1	
GS4690	SELECTOR SHAFT - REVERSE	BN2-BT7	GBS230	.	1	
GS4720	SELECTOR SHAFT - 1ST & 2ND (S/CHANGE)	BN2-BT7	GBS234	031-340	1	
GS4750	SELECTOR SHAFT - 3RD & 4TH (S/CHANGE)	BN2-BT7	GBS238	.	1	
GS4760	FORK SELECTOR - 3RD & 4TH (S/CHANGE)	BN2-BT7	GBS240	031-257	1	
GS4780	SPRING - PLUNGER (REVERSE FORK)	BN2-BT7	GBS246	329-105	1	
GS4781	SPRING-DETENT PLUNGER (REVERSE FORK)	BN2-BT7	.	.	1	
GS4790	MOUNTING - REAR GEARBOX (RH)	BN2-BJ8	GBS248	031-385	1	
GS4791	MOUNTING - REAR GEARBOX (LH)	BN2-BJ8	GBS249	031-384	1	
GS4800	MOUNTING - GEARBOX	BN2-BT7	GBS250	413-050	2	
GS4810	BUFFER - GEARBOX CENTRE	BN2-BT7	GBS251	021-345	1	
GS4820	TIE BAR	BN2-BT7	GBS252	807-100	1	
GS4830	RUBBER BUSH - TIE BAR (USE SF4660)	BN2-BT7	GBS253	021-769	2	
GS4840	PIN - TIE BAR	BN2-BT7	GBS254	413-140	1	
GS4850	RUBBER BUSH - TIE PIN BAR	BN2-BT7	GBS255	280-050	2	
GS4881	ADAPTOR - SPEEDOMETER	BN2-BT7	GBS261	021-511	1	
GS4883	ADAPTOR - SPEEDOMETER - HEAVY DUTY	BN2-BJ8	.	.	1	
GS4920	OIL SEAL - SPEEDO PINION (O/D)	BN4-BT7	GBS264	120-710	1	
GS4921	OIL SEAL - SPEEDO PINION (NON O/D)	BN4-BT7	GBS265	461-445	1	
GS4940	DOWEL BOLT - BELL HOUSING	BN2-BJ8	.	.	2	
GS4960	BELL HOUSING	BN2	GBS272	.	1	
GS4962	FITTING KIT - BELL HOUSING	BN2-BJ8	.	.	1	
GS4970	TRANSMISSION TUNNEL - FIBREGLASS	BN4-BT7	GBS274	856-430	1	
GS4980	RUBBER PLUG - TRANSMISSION COVER	BN2-BT7	GBS275	680-940	1	
GS5000	DIPSTICK CONVERSION	BN2-BT7	GBS278	.	1	

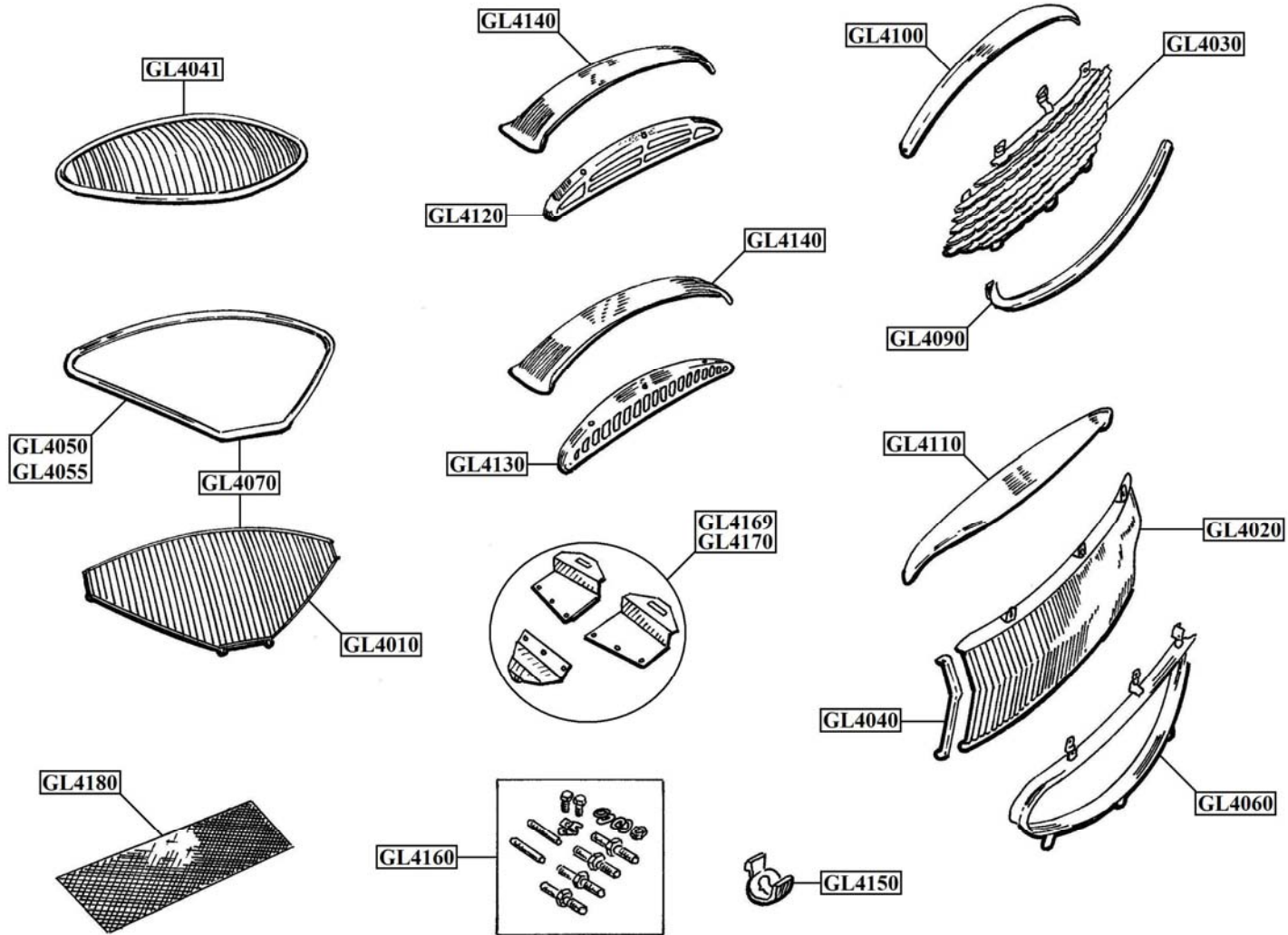


Gearbox - 4 Speed - Centre Change



PART	DESCRIPTION	APP	AF	ALT	QPV	
GC4010	GASKET SET	BT7-BJ8	GBC101	021-053	1	
GC4020	GAITER - GEAR LEVER	BT7-BJ8	GBC102	021-338	1	
GC4051	BUSH - GEAR LEVER	BJ8	GBC105	031-259	1	
GC4060	CIRCLIP - GEAR LEVER RETAINING	BT7-BJ8	GBC106	443-090	1	
GC4070	RETAINING WASHER - G/L SPRING	BT7-BJ8	GBC107	.	1	
GC4080	SPRING - G/L RETAINING	BT7-BJ8	GBC108	031-330	1	
GC4090	GEAR LEVER (CHROMED)	BT7-BJ7	GBC109EC	.	1	
GC4091	GEAR LEVER (CHROMED)	BJ8	GBC109C	.	1	
GC4120	OIL SEAL - SELECTOR SHAFT	BT7-BJ8	GBC112	520-290	1	
GC4124	SOCKET - GEAR LEVER	BT7-BJ7	.	.	1	
GC4125	SOCKET - GEAR LEVER	BJ8	.	.	1	
GC4160	1ST GEAR - OUTER ONLY	BJ8	.	.	1	
GC4181	MAINSHAFT - OVERDRIVE	BJ8	GBC122	031-346	1	
GC4182	MAINSHAFT - OVERDRIVE - (USED)	BJ8	GBC122	.	1	
GC4251	BAULK RING - 2ND GEAR	BJ8	GBC131	021-326	1	
GC4320	SYNCHRO HUB - 3RD & 4TH GEAR	BJ8	.	.	1	
GC4331	BAULK RING - 3RD & 4TH GEAR	BJ8	GBC141	021-328	2	
GC4340	SYNCHRO HUB - 3RD & 4TH GEAR	BT7(MK2)- BJ8	GBC142	.	1	
GC4430	CAGED NEEDLE ROLLER - 1ST MOTION SHAFT	BJ8	GBC151	031-328	1	
GC4491	LAYSHAFT	BJ8	GBC160	021-332	1	
GC4522	LAYGEAR - RECONDITIONED (EXCH. ONLY)	BJ8	GBC168	021-253	1	
GC4523	LAYGEAR - NEW (OUTRIGHT SALE)	BJ8	GBC168N	.	1	
GC4569	THRUST PLATE - FRONT	BJ8	.	.	1	
GC4570	THRUST PLATE - REAR	BJ8	GBC176	031-244	1	
GC4720	SELECTOR SHAFT - 1ST & 2ND (C/CHANGE)	BT7-BJ8	GBC234	031-255	1	
GC4760	SELECTOR FORK - 3RD & 4TH (C/CHANGE)	BT7-BJ8	GBC240	.	1	
GC4860	SEAL - DIPSTICK	BT7-BJ8	GBC257	682-180	2	
GC4970	TRANSMISSION TUNNEL - FIBREGLASS (C/CHANGE)	BT7-BJ8	GBC274	856-440	1	
GC4990	FERRULE - SPEEDO CABLE HOLE	BJ7-BJ8	GBC276	.	1	





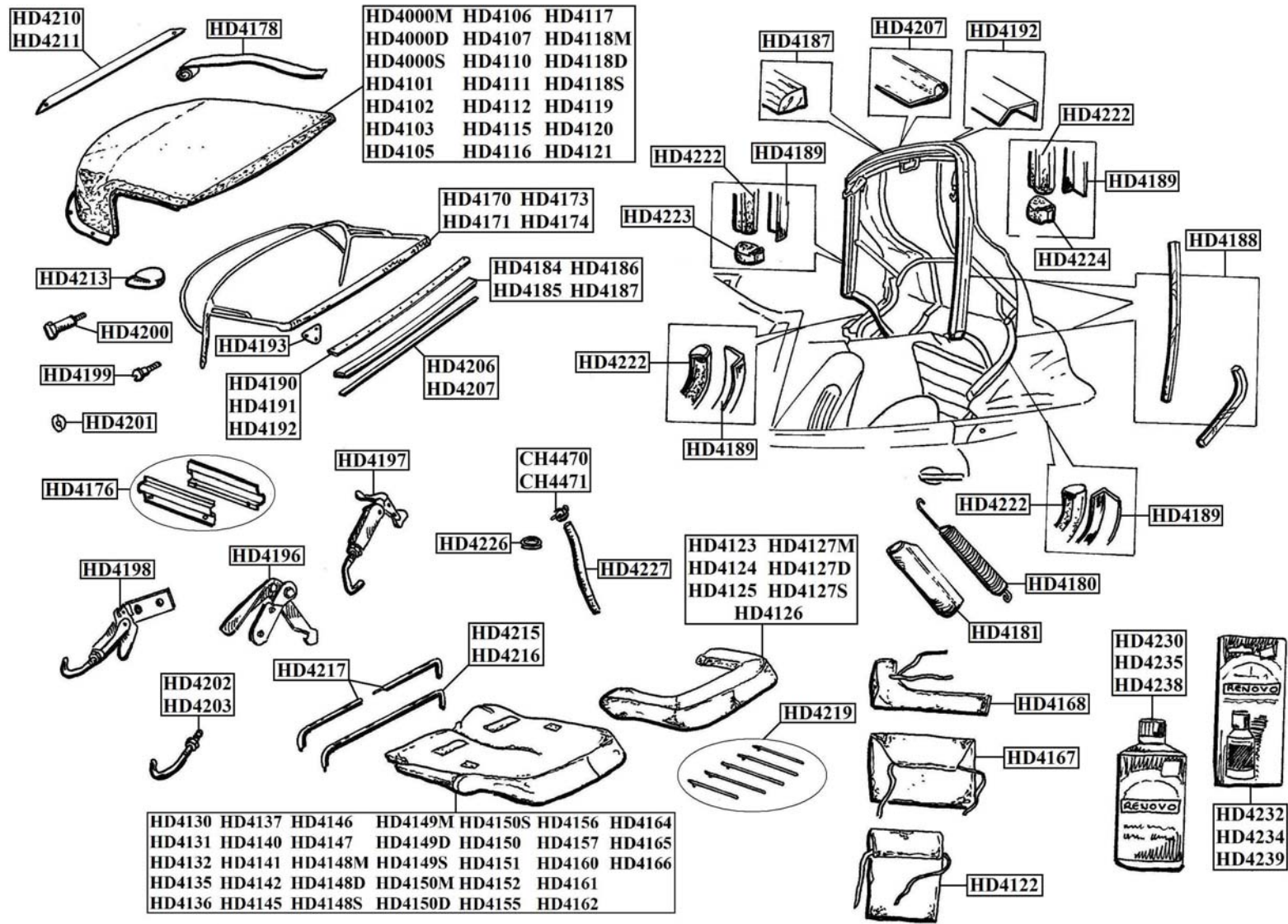
PART	DESCRIPTION	APP	AF	ALT	QPV	
GL4010	GRILLE SLAT ASSEMBLY	BN1-BN2	GRL101	870-050	1	
GL4020	GRILLE SLAT ASSEMBLY - HORIZ. SLAT	BN4-BT7(MK1)	GRL102	870-060	1	
GL4030	GRILLE SLAT ASSEMBLY - VERT. SLAT	BT7(MK2)-BJ8	GRL103	031-360	1	
GL4040	INDIVIDUAL SLAT	BT7(MK2)-BJ8	GRL104	870-070	39	
GL4041	GRILLE & SURROUND - UNPLATED	100S	GRL108	.	1	
GL4050	SURROUND - GRILLE SLAT	BN1-BN2	GRL110	870-080	1	
GL4060	SURROUND - GRILLE SLAT	BT7(MK2)-BJ8	GRL111	031-361	1	
GL4070	GRILLE & SURROUND - ASSEMBLED	BN1-BN2	GRL112	.	1	
GL4090	BOTTOM FINISHER	BN4-BT7(MK1)	GRL115	870-100	1	
GL4100	TOP COWL	BN4-BT7(MK1)	GRL116	870-090	1	
GL4110	TOP COWL	BT7(MK2)-BJ8	GRL117	870-110	1	
GL4120	BONNET GRILLE	BN4-BT7(MK1)	GRL120	870-120	1	
GL4130	BONNET GRILLE	BT7(MK2)-BJ8	GRL121	031-349	1	
GL4140	TOP COWL - BONNET GRILLE	BN4-BJ8	GRL125	031-351	1	
GL4150	CLAW WASHER - GRILLE FIXING	BN1-BN2	GRL127	325-760	5	
GL4160	FIXING KIT - RADIATOR GRILLE	BT7 (MK2)-BJ8			1	
GL4169	SHROUD BRACKETS - SET OF 3 (HORIZ. SLAT GRILLE)	BN4-BT7(MK1)			1	
GL4170	SHROUD BRACKETS - SET OF 3 (VERT. SLAT GRILLE)	BT7(MK2)-BJ8	GRL129	.	1	
GL4180	GRILLE MESH - STAINLESS STEEL (24" X 12")	AR	GRL131	.	1	

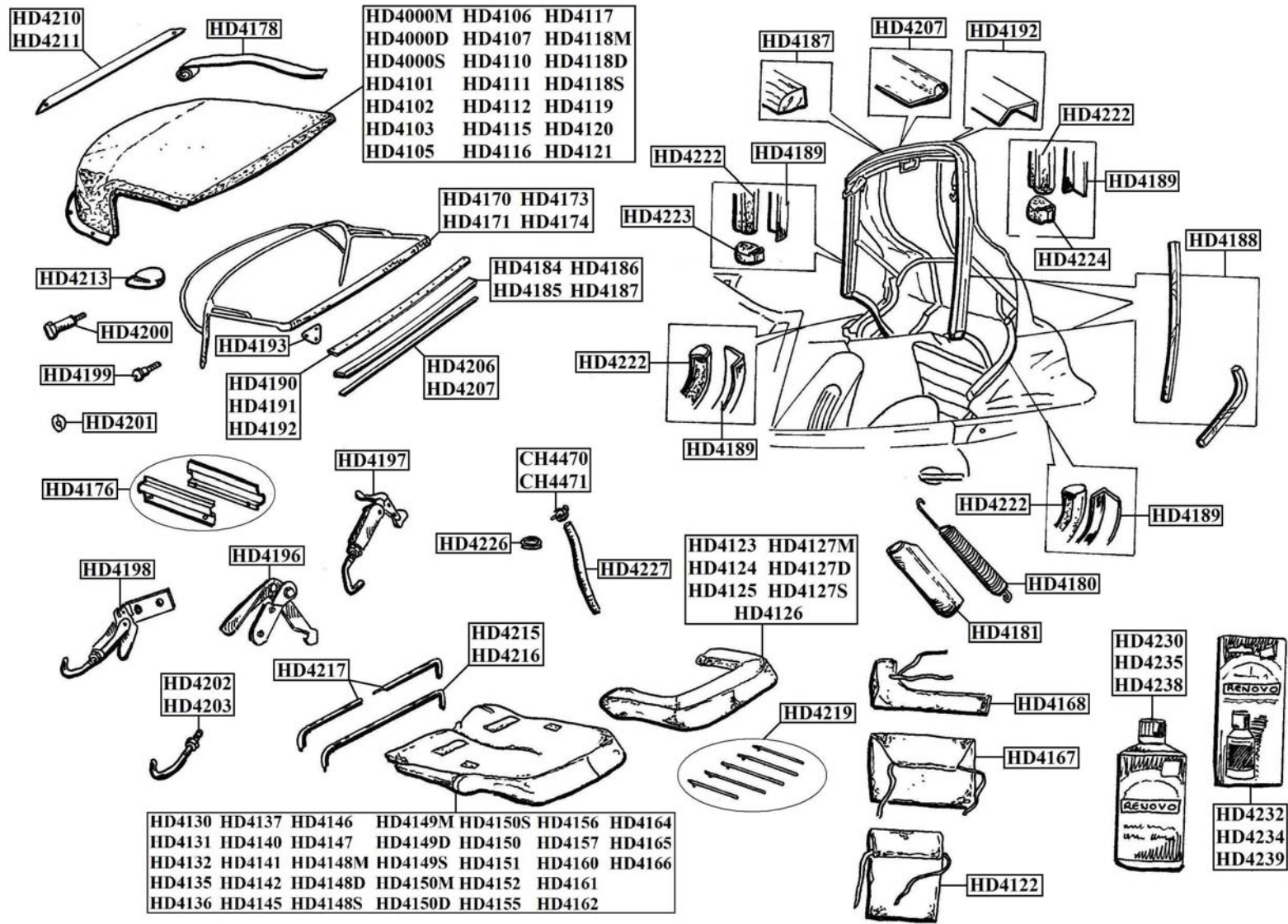


PART	DESCRIPTION	APP	AF	ALT	QPV
HD4000D	HOOD - DUCK	BN1-BT7	ALL COLOURS	.	1
HD4000M	HOOD - MOHAIR	BN1-BT7	ALL COLOURS	.	1
HD4000S	HOOD - SPECIAL	BN1-BT7	EVERFLEX (NON STD. COLOUR)	.	1
HD4101	HOOD - BLACK	BN1-BN2	HOD101	021-525	1
HD4102	HOOD - BLUE	BN1-BN2	HOD102	641-000	1
HD4103	HOOD - RED	BN1-BN2	HOD103	941-995	1
HD4105	HOOD - BLACK	BN4-BN4.68959	HOD105	021-527	1
HD4106	HOOD - BLUE	BN4-BN4.68959	HOD106	641-020	1
HD4107	HOOD - RED	BN4-BN4.68959	HOD107	641-015	1
HD4110	HOOD - BLACK	BN4.68960 ON & BT7	HOD110	641-030	1
HD4111	HOOD - BLUE	BN4.68960 ON & BT7	HOD111	641-050	1
HD4112	HOOD - RED	BN4.68960 ON & BT7	HOD112	641-045	1
HD4115	HOOD - BLACK	BN6&BN7	HOD115	021-529	1
HD4116	HOOD - BLUE	BN6&BN7	HOD116	641-010	1
HD4117	HOOD - RED	BN6&BN7	HOD117	641-005	1
HD4118D	HOOD - DUCK (ZIP WINDOW)	BJ7&BJ8	ALL COLOURS	.	1
HD4118M	HOOD - MOHAIR (ZIP WINDOW)	BJ7&BJ8	ALL COLOURS	.	1
HD4118S	HOOD - SPECIAL (ZIP WINDOW)	BJ7&BJ8	EVERFLEX (NON STD. COLOUR)	.	1
HD4119	HOOD - RED (ZIP WINDOW)	BJ7&BJ8	HOD121R	.	1
HD4120	HOOD - BLACK (ZIP WINDOW)	BJ7&BJ8	HOD120	021-533	1
HD4121	HOOD - BLUE (ZIP WINDOW)	BJ7&BJ8	HOD121	641-080	1
HD4122	STOWAGE BAG - HOOD COVER (BLK)	BJ7&BJ8	HOD122	641-055	1
HD4123	HOOD COVER - BLACK	BJ7	HOD123	643-080	1
HD4124	HOOD COVER - BLUE	BJ7	HOD124	643-110	1
HD4125	HOOD COVER - BLACK	BJ8	HOD125	643-090	1
HD4126	HOOD COVER - BLUE	BJ8	HOD126	643-130	1
HD4127D	HOOD COVER - DUCK	BJ7&BJ8	ALL COLOURS	.	1
HD4127M	HOOD COVER - MOHAIR	BJ7&BJ8	ALL COLOURS	.	1
HD4127S	HOOD COVER - SPECIAL	BJ7&BJ8	EVERFLEX (NON STD. COLOUR)	.	1
HD4130	TONNEAU COVER - RHD (BLACK)	BN1-BN2	HOD130	.	1
HD4131	TONNEAU COVER - RHD (BLUE)	BN1-BN2	HOD131	.	1

PART	DESCRIPTION	APP	AF	ALT	QPV
HD4132	TONNEAU COVER - RHD (RED)	BN1-BN2	HOD132	.	1
HD4135	TONNEAU COVER - RHD (BLACK)	BN4&BT7	HOD135	.	1
HD4136	TONNEAU COVER - RHD (BLUE)	BN4&BT7	HOD136	.	1
HD4137	TONNEAU COVER - RHD (RED)	BN4&BT7	HOD137	.	1
HD4140	TONNEAU COVER - RHD (BLACK)	BN6-BN7	HOD140	.	1
HD4141	TONNEAU COVER - RHD (BLUE)	BN6-BN7	HOD141	.	1
HD4142	TONNEAU COVER - RHD (RED)	BN6-BN7	HOD142	.	1
HD4145	TONNEAU COVER - RHD (BLACK)	BJ7&BJ8	HOD145	.	1
HD4146	TONNEAU COVER - RHD (BLUE)	BJ7&BJ8	HOD146	.	1
HD4147	TONNEAU COVER - RHD (RED)	BJ7&BJ8	HOD147	.	1
HD4148D	TONNEAU COVER - DUCK (RHD & LHD)	BN1,BN2,BN6&BN7	ALL COLOURS	.	1
HD4148M	TONNEAU COVER - MOHAIR (RHD & LHD)	BN1,BN2,BN6&BN7	ALL COLOURS	.	1
HD4148S	TONNEAU COVER - SPECIAL (RHD & LHD)	BN1,BN2,BN6&BN7	EVERFLEX (NON STD. COLOUR)	.	1
HD4149D	TONNEAU COVER - DUCK (RHD & LHD)	BN4&BT7	ALL COLOURS	.	1
HD4149M	TONNEAU COVER - MOHAIR (RHD & LHD)	BN4&BT7	ALL COLOURS	.	1
HD4149S	TONNEAU COVER - SPECIAL (RHD & LHD)	BN4&BT7	EVERFLEX (NON STD. COLOUR)	.	1
HD4150	TONNEAU COVER - LHD (BLACK)	BN1-BN2	HOD150	021-535	1
HD4150D	TONNEAU COVER - DUCK (RHD & LHD)	BJ7&BJ8	ALL COLOURS	.	1
HD4150M	TONNEAU COVER - MOHAIR (RHD & LHD)	BJ7&BJ8	ALL COLOURS	.	1
HD4150S	TONNEAU COVER - SPECIAL (RHD & LHD)	BJ7&BJ8	EVERFLEX (NON STD. COLOUR)	.	1
HD4151	TONNEAU COVER - LHD (BLUE)	BN1-BN2	HOD151	643-010	1
HD4152	TONNEAU COVER - LHD (RED)	BN1-BN2	HOD152	643-005	1
HD4155	TONNEAU COVER - LHD (BLACK)	BN4&BT7	HOD155	021-537	1
HD4156	TONNEAU COVER - LHD (BLUE)	BN4&BT7	HOD156	643-050	1
HD4157	TONNEAU COVER - LHD (RED)	BN4&BT7	HOD157	643-045	1
HD4160	TONNEAU COVER - LHD (BLACK)	BN6&BN7	HOD160	021-536	1
HD4161	TONNEAU COVER - LHD (BLUE)	BN6&BN7	HOD161	643-030	1
HD4162	TONNEAU COVER - LHD (RED)	BN6&BN7	HOD162	643-035	1
HD4164	TONNEAU COVER - LHD (RED)	BJ7&BJ8	HOD166R	643-065	1
HD4165	TONNEAU COVER - LHD (BLACK)	BJ7&BJ8	HOD165	021-539	1
HD4166	TONNEAU COVER - LHD (BLUE)	BJ7&BJ8	HOD166	643-070	1



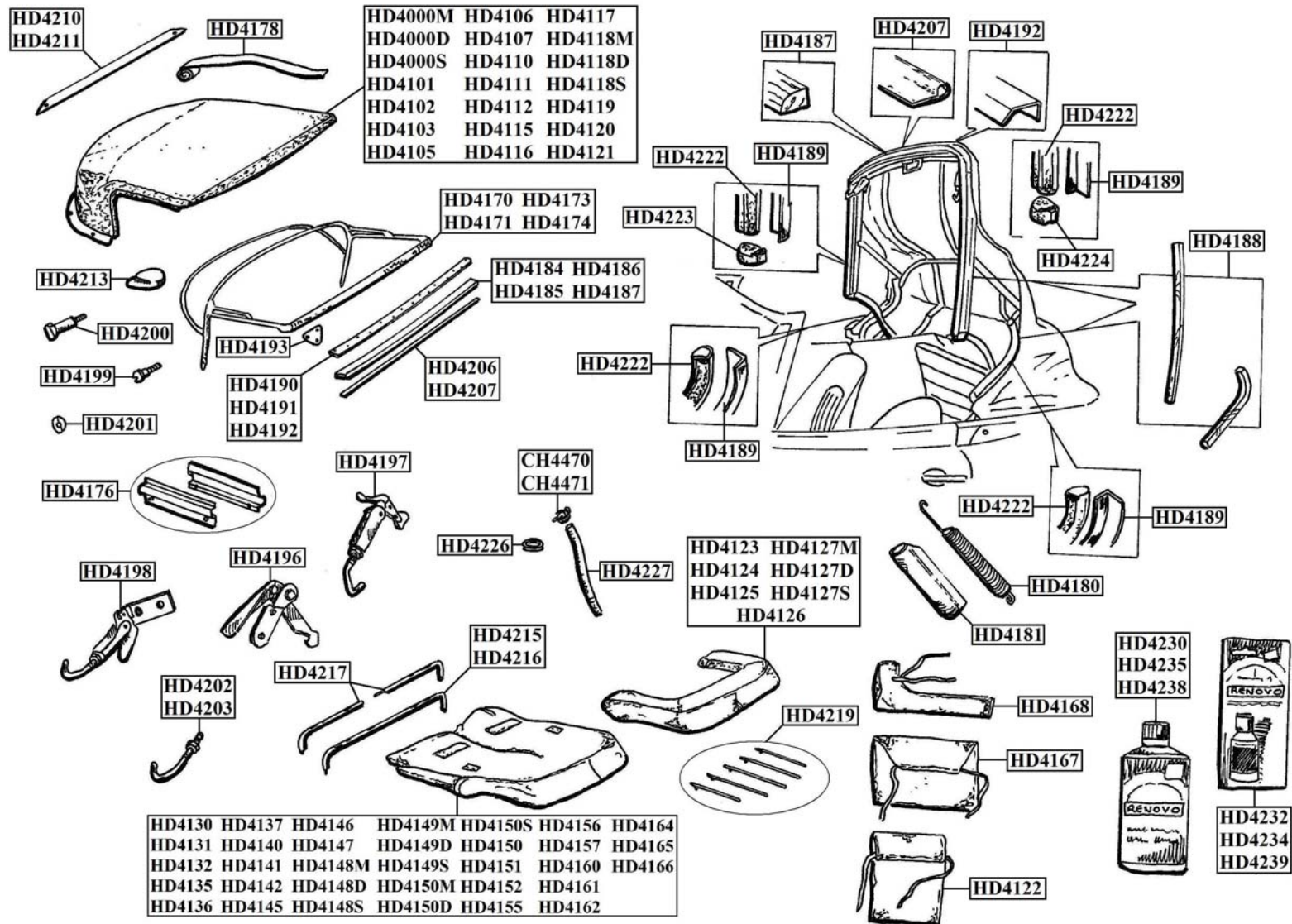




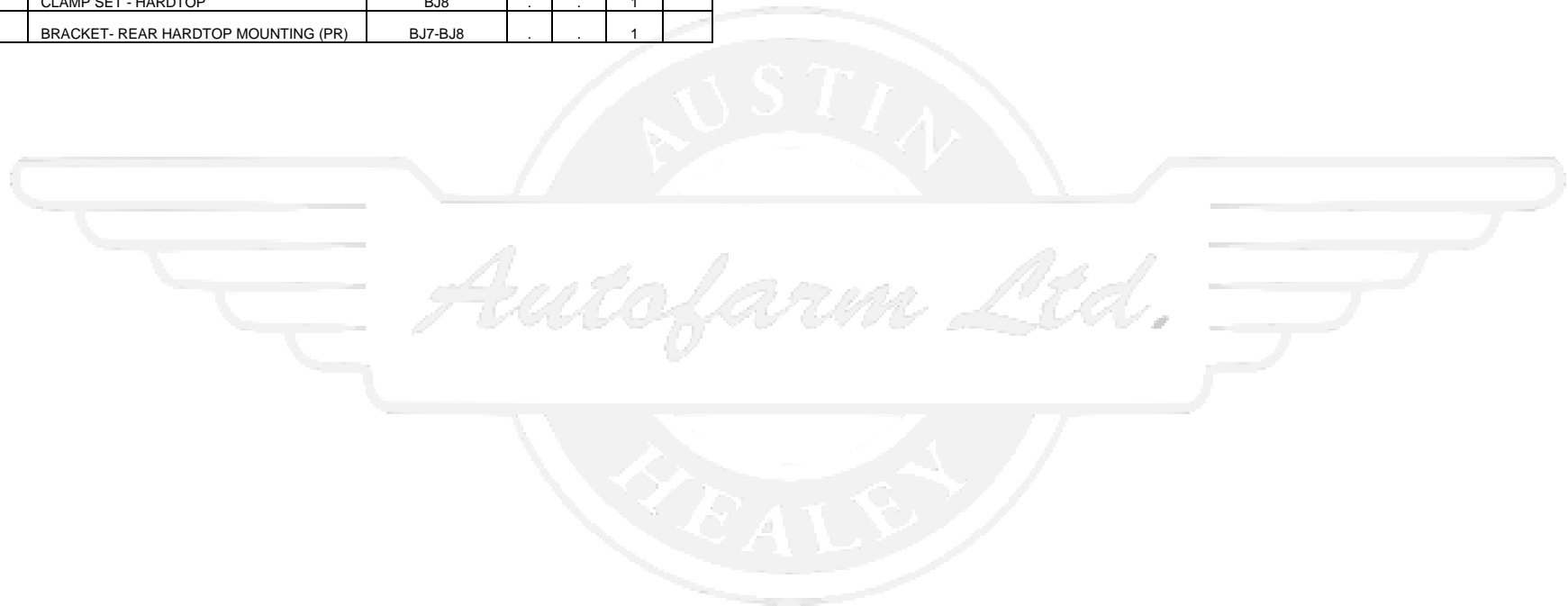
PART	DESCRIPTION	APP	AF	ALT	QPV
HD4167	STOWAGE BAG - TONNEAU (BLACK)	BJ7-BJ8	HOD167	641-075	1
HD4168	STOWAGE BAG - TONNEAU RAILS (BLK)	BJ7-BJ8	HOD168	641-085	1
HD4170	FRAME - HOOD	BN1-BN2	HOD170	453-670	1
HD4171	FRAME - HOOD	BN4-BN4.68959	HOD171	453-675	1
HD4173	FRAME - HOOD	BN6&BN7	HOD173	453-695	1
HD4174	FRAME - HOOD	BN4.68960-BT7	HOD174	453-665	1
HD4176	HOOD SLIDE ASSY. - PAIR	BN4-BN4.68959	HOD176	641-008	1
HD4178	WEBBING - HOOD FRAME (PER CAR)	AR	HOD178	805-015	1
HD4179	CLIP - RETAINING (WEBBING)	BN4,BT7,BJ7&BJ8	.	.	2
HD4180	SPRING - HOOD FRAME	BJ7-BJ8	HOD180	021-580	2
HD4181	COVER - HOOD SPRING	BJ7-BJ8	HOD181	.	2
HD4184	WOOD BOW - HOOD	BN6-BN7	HOD186A	.	1
HD4185	WOOD BOW - HOOD	BN1-BN2	HOD185	.	1
HD4186	WOOD BOW - HOOD	BN4&BT7	HOD186	806-080	1
HD4187	WOOD BOW - HOOD	BJ7&BJ8	HOD187	806-090	1
HD4188	WOOD FRAMEWORK - HOOD FRAME	BJ7-BJ8	HOD188	806-098	1
HD4189	RETAINER - SIDE & REAR CANTRAIL	BJ7-BJ8	HOD189	806-198	1
HD4190	FINISHER STRIP - ALUMINIUM	BN4&BT7	HOD190	806-110	1
HD4191	FINISHER STRIP - ALUMINIUM	BN6&BN7	HOD191	806-100	1
HD4192	FINISHER STRIP - ALUMINIUM	BJ7&BJ8	HOD192	806-115	1
HD4193	RETAINER - HOOD BOW	BN1-BN2	HOD193	644-205	3
HD4196	TOGGLE CLAMP ASSY. - PAIR	BN1,BN2,BN4 & BT7	HOD196	805-555/565	1
HD4197	TOGGLE CLAMP ASSY. - PAIR	BN6,BN7&BT7,H/TOP	HOD197	805-028	1
HD4198	TOGGLE CLAMP ASSY. - PAIR	BJ7&BJ8	HOD198	805-068	1
HD4199	STUD - HOOD CLAMP FOR W/SCREEN	BN1&BN2	HOD199	021-953	2
HD4200	STUD - HOOD CLAMP FOR W/SCREEN	BN4-BT7	HOD200	805-125	2
HD4201	CURVED WASHER - CLAMP STUD	BN1-BN2	HOD201	806-700	2
HD4202	TOGGLE CLAMP HOOKS - PAIR (S.S.)	BN6-BN7	.	.	2
HD4203	TOGGLE CLAMP HOOKS - PAIR (S.S.)	BJ7-BJ8 & ALL H/TOPS	HOD203	805-308	1
HD4204	PACKER-TOGGLE CLAMP	BN6-BN7	.	.	2
HD4205	FIXING PLATE - HOOD CLAMPS	BN6-BN7	.	.	2

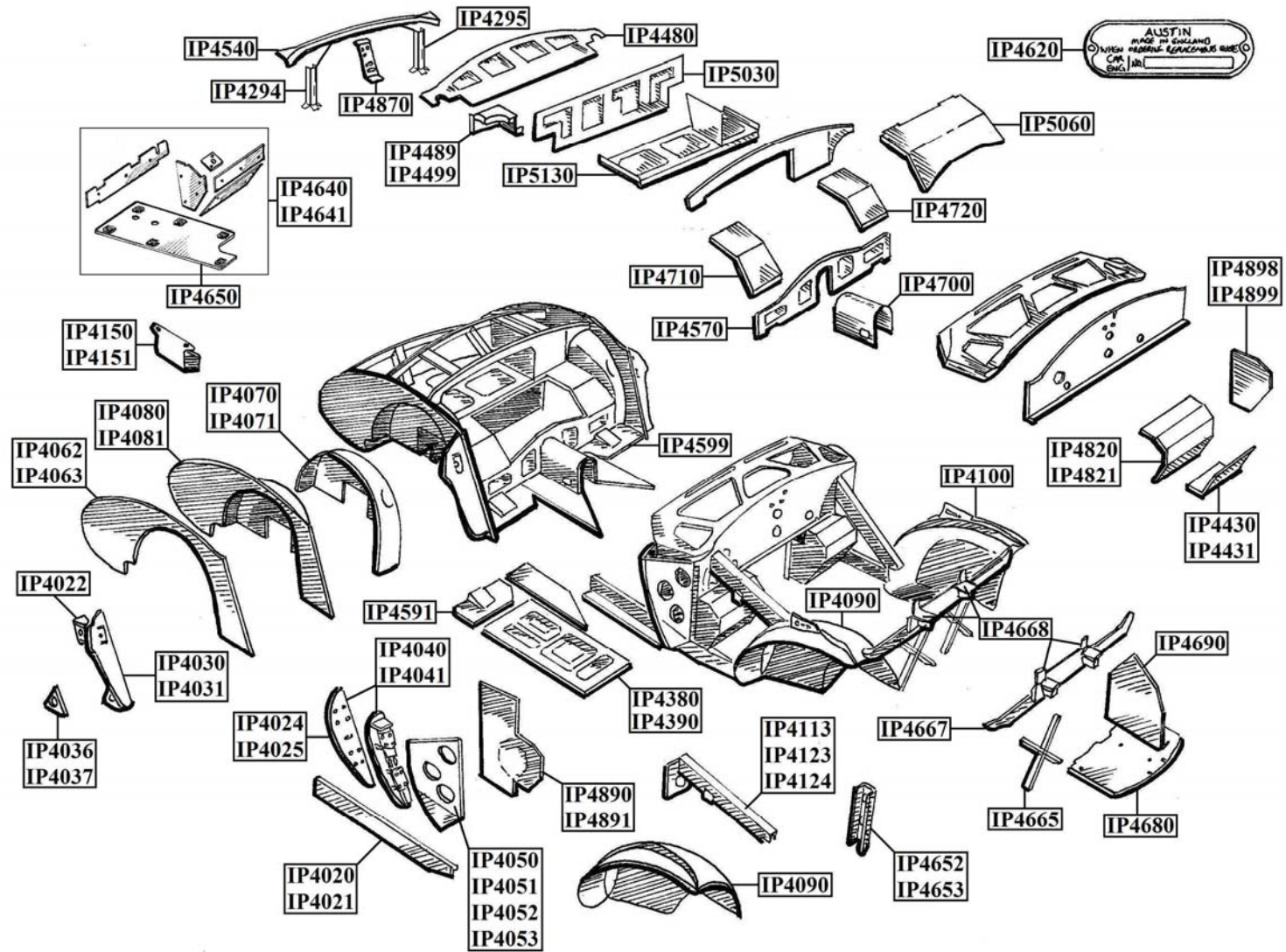
PART	DESCRIPTION	APP	AF	ALT	QPV
HD4206	SEAL STRIP - HOOD RAIL (SCREENTOP)	BN4-BN7&BT7	HOD206	682-350	1
HD4207	SEAL STRIP - HOOD RAIL (SCREENTOP)	BJ7&BJ8	HOD207	682-360	1
HD4210	REAR BAR - HOOD RETAINING	BN1&BN2	HOD210	644-200	1
HD4211	REAR BAR - HOOD RETAINING	BN6&BN7	HOD211	644-210	1
HD4213	CHROME RETAINER - REAR BAR	BN1,BN2,BN6&BN7	HOD213	470-747	2
HD4215	TONNEAU RAIL	BN4 LONGBRIDGE CARS	.	.	1
HD4216	TONNEAU RAIL ASSY.	BN4.68960.ON&BT7	HOD216	453-660	1
HD4217	TONNEAU RAIL ASSY.	BJ7&BJ8	HOD217	021-541	1
HD4219	STIFFENER SET - TONNEAU	BN4&BT7	HOD219	453-658	1
HD4222	SEAL SET - HOOD & SCREEN PILLARS	BJ7&BJ8	HOD222	249-607	1
HD4223	END CAPPINGS - HOOD SEAL (RH)	BJ7&BJ8	HOD223	021-778	4
HD4224	END CAPPINGS - HOOD SEAL (LH)	BJ7&BJ8	HOD224	021-779	4
HD4226	GROMMET - DRAIN TUBE	BJ7&BJ8	HOD226	681-045	5
HD4227	DRAIN TUBE - COCKPIT CHANNEL	BJ7&BJ8	HOD227	807-045	5
HD4230	RENOVO VINYL HOOD CLEANER	ALL	HOD230	.	1OR3
HD4232	RENOVO VINYL ULTRA PROOFER	ALL	HOD232	.	1OR3
HD4234	RENOVO PLASTIC WINDOW POLISH - 50ml	ALL	HOD234	.	1OR3
HD4235	RENOVO MOHAIR HOOD CLEANER - 500ml (BLACK)	ALL	.	.	1OR3
HD4238	RENOVO MOHAIR HOOD CLEANER - 1 LTR (BLUE)	ALL	.	.	1OR3
HD4239	RENOVO MOHAIR HOOD ULTRA PROOFER - 1 LTR	ALL	.	.	1OR3
HD4240	HARDTOP - INCL. ALL SEALS & VENT (BLK OR WHT)	BJ7-BJ8	HOD240	021-795	1
HD4243	REAR SCREEN - HARDTOP	BN7	HOD243	021-863	1
HD4244	REAR SCREEN - HARDTOP	BN4&BT7	HOD244	021-862	1
HD4245	REAR SCREEN - HARDTOP	BJ7-BJ8	HOD245	021-864	1
HD4246	HARDTOP VENT KIT - COMPLETE	BJ7-BJ8	HOD246	.	1
HD4247	LINING MATERIAL - HARDTOP	ALL HARDTOPS	.	.	1OR3
HD4248	HEADLINING KIT - HARDTOP	BN4-BJ8	.	.	1
HD4249	SEAL SET - REAR SCREEN	BN4-BT7	HOD249	.	1
HD4252	PERIMETER SEAL KIT - HARDTOP	BN6&BN7	HOD252	.	1
HD4253	PERIMETER SEAL KIT - HARDTOP	BN4&BT7	HOD253	.	1
HD4254	LOCATING PIN SET	BN4&BT7	.	.	1





PART	DESCRIPTION	APP	AF	ALT	QPV	
HD4256	SECURING PLATE - HARDTOP	BN4&BT7	.	.	2	
HD4257	WING NUT - HARD TOP	BN4&BT7	.	.	2	
HD4258	SECURING HOOK - HARDTOP	BN4&BT7	.	.	2	
HD4259	CORNER BRACKET SET - HARDTOP	BN6,BN7&BT7	.	.	1	
HD4260	SEAL SET - HARD TOP	BJ8	.	.	1	
HD4261	CLAMP SET - HARDTOP	BJ8	.	.	1	
HD4264	BRACKET- REAR HARDTOP MOUNTING (PR)	BJ7-BJ8	.	.	1	

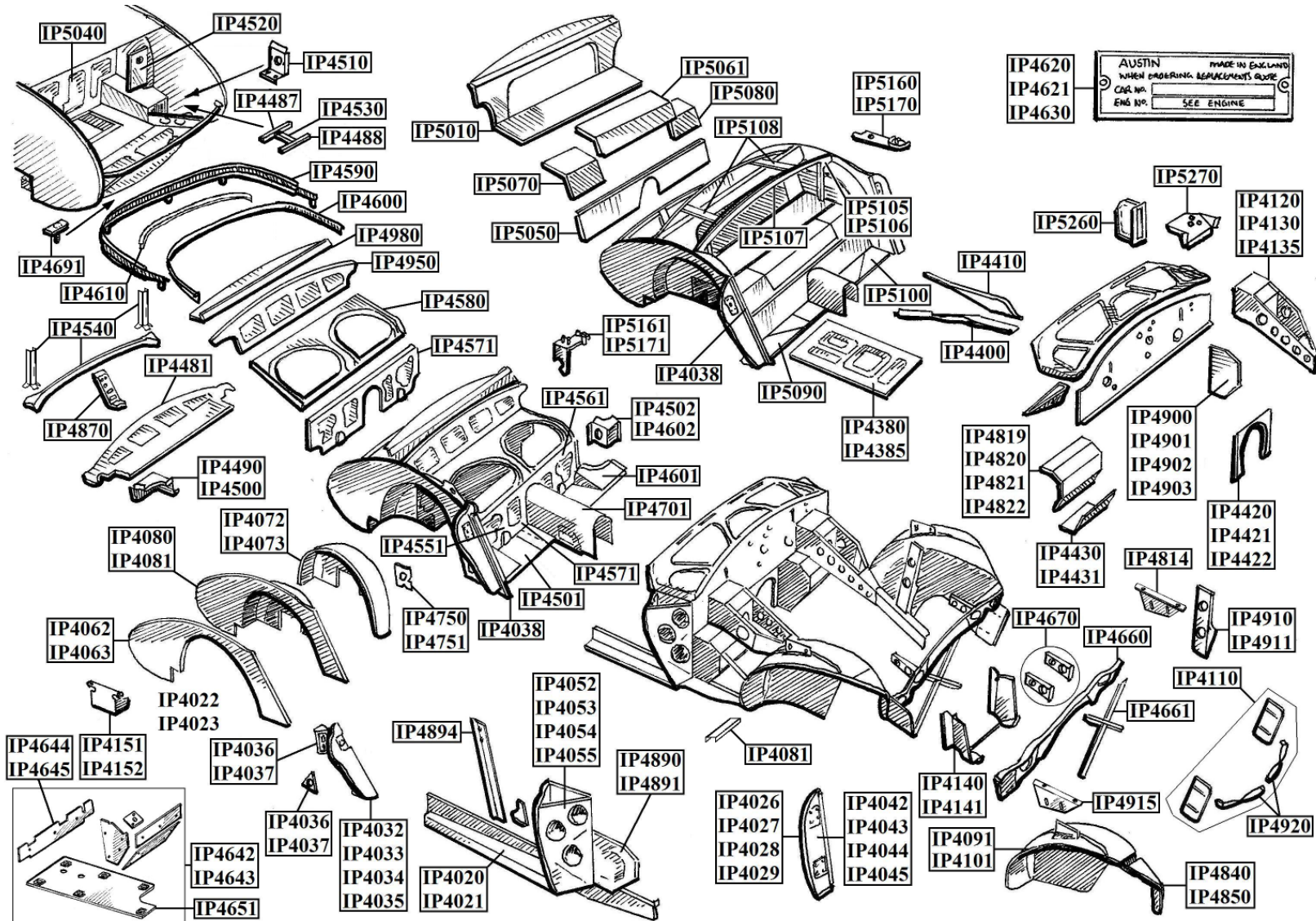




PART	DESCRIPTION	APP	AF	ALT	QPV	
IP4010	INNER SILL PANEL - RH	BN1-BJ8	IBP101	856-060	1	
IP4011	INNER SILL PANEL - LH	BN1-BJ8	IBP102	856-050	1	
IP4020	INTERMEDIATE SILL PANEL - RH	BN1-BJ8	IBP103	856-060	1	
IP4021	INTERMEDIATE SILL PANEL - LH	BN1-BJ8	IBP104	056-050	1	
IP4022	TRIANGLE BOX SHUT PILLAR	BN1-BT7	.	.	2	
IP4023	TRAIANGLE BOX SHUT PILLAR	BJ7-BJ8	.	.	2	
IP4024	HINGE PANEL COVER - RH	BN1(B.5001 ON)-BN2	IBP114C	.	1	
IP4025	HINGE PANEL COVER - LH	BN1(B.5001 ON)-BN2	IBP115C	.	1	
IP4026	HINGE PANEL COVER - RH	BN4-BT7	IBP116C	.	1	
IP4027	HINGE PANEL COVER - LH	BN4-BT7	IBP117C	.	1	
IP4028	HINGE PANEL COVER - RH	BJ7-BJ8	IBP118C	.	1	
IP4029	HINGE PANEL COVER - LH	BJ7-BJ8	IBP119C	.	1	
IP4030	DOOR SHUT PANEL - RH	BN1-BN2	IBP105	806-045	1	
IP4031	DOOR SHUT PANEL - LH	BN1-BN2	IBP106	806-055	1	
IP4032	DOOR SHUT PANEL - RH	BN4-BT7	IBP107	806-065	1	
IP4033	DOOR SHUT PANEL - LH	BN4-BT7	IBP108	806-075	1	
IP4034	DOOR SHUT PANEL - RH	BJ7-BJ8	IBP109	806-085	1	
IP4035	DOOR SHUT PANEL - LH	BJ7-BJ8	IBP110	806-095	1	
IP4036	GUSSET - PILLAR TO SILL (RH)	BN1-BJ8	IBP111	806-615	1	
IP4037	GUSSET - PILLAR TO SILL (LH)	BN1-BJ8	IBP112	806-625	1	
IP4038	EXTENSION PLATE-DOOR SHUT PANEL	BN4-BT7	.	.	2	
IP4040	HINGE PANEL - RH	BN1(B.5001 ON)-BN2	IBP114	806-130	1	
IP4041	HINGE PANEL - LH	BN1(B.5001 ON)-BN2	IBP115	806-160	1	
IP4042	HINGE PANEL - RH	BN4-BT7	IBP116	806-140	1	
IP4043	HINGE PANEL - LH	BN4-BT7	IBP117	806-170	1	
IP4044	HINGE PANEL - RH	BJ7-BJ8	IBP118	806-120	1	
IP4045	HINGE PANEL - LH	BJ7-BJ8	IBP119	806-150	1	
IP4050	REINF'G PANEL - HINGE PILLAR (RH)	BN1-BN1(B.5000)	IBP119A	.	1	
IP4051	REINF'G PANEL - HINGE PILLAR (LH)	BN1-BN1(B.5000)	IBP119B	.	1	
IP4052	REINF'G PANEL - HINGE PILLAR (RH)	BN1(B.5001)-BT7	IBP120	806-375	1	
IP4053	REINF'G PANEL - HINGE PILLAR (LH)	BN1(B.5001)-BT7	IBP121	806-385	1	

PART	DESCRIPTION	APP	AF	ALT	QPV	
IP4054	REINF'G PANEL - HINGE PILLAR (RH)	BJ7-BJ8	IBP122	805-635	1	
IP4055	REINF'G PANEL - HINGE PILLAR (LH)	BJ7-BJ8	IBP123	805-645	1	
IP4062	REAR INNER WING - RH	BN1-BJ8	IBP132	806-035	1	
IP4063	REAR INNER WING - LH	BN1-BJ8	IBP133	806-025	1	
IP4070	REAR WHEEL ARCH - RH	BN1-BN2	IBP134	806-610	1	
IP4071	REAR WHEEL ARCH - LH	BN1-BN2	IBP135	806-620	1	
IP4072	REAR WHEEL ARCH - RH	BN4-BJ8	IBP136	806-305	1	
IP4073	REAR WHEEL ARCH - LH	BN4-BJ8	IBP137	806-315	1	
IP4080	REAR INNER WING WITH ARCH - RH	BN1-BJ8	IBP138	.	1	
IP4081	REAR INNER WING WITH ARCH - LH	BN1-BJ8	IBP139	.	1	
IP4086	SUPPORT BRACKET - WHEEL ARCH	BN4-BJ8	.	.	2	
IP4090	FRONT WHEEL ARCH - RH	BN1-BN2	IBP144	806-300	1	
IP4091	FRONT WHEEL ARCH - RH	BN4-BJ8	IBP146	806-300	1	
IP4100	FRONT WHEEL ARCH - LH	BN1-BN2	IBP145	806-310	1	
IP4101	FRONT WHEEL ARCH - LH	BN4-BJ8	IBP147	806-310	1	
IP4110	SPLASH SHIELDS - FRONT W/ARCH (PR)	BN4-BJ8	IBP150	806-320	1	
IP4113	STRUT - BAULKHEAD TO SUSPENSION TOWER (RH)	BN1-BN2	.	.	1	
IP4120	BOX - PEDAL ACCOMMODATION - RH (UNASSEM.)	BN4-BJ7	IBP151	805-800	1	
IP4123	STRUT - BAULKHEAD TO SUSPENSION TOWER (LH)	BN1-BN2	.	.	1	
IP4124	STRUT - BAULKHEAD TO SUSPENSION TOWER (LH)	100S	.	.	1	
IP4130	BOX - PEDAL ACCOMMODATION - LH (UNASSEM.)	BN4-BJ7	IBP152	.	1	
IP4135	BOX - PEDAL ACCOMMODATION - LH (UNASSEM.)	BJ8	IBP152	805-810	1	
IP4140	AIR INTAKE DEFLECTOR ASSY - RAD. (HORIZ. GRILLE)	BN4-BT7	IBP154	806-330	1	
IP4141	AIR INTAKE DEFLECTOR ASSY - RAD. (VERT. GRILLE)	BT7-BJ8	IBP155	806-340	1	
IP4150	BUMP STOP BOX	BN1-BN1.221535	IBP160	806-190	2	
IP4151	BUMP STOP BOX	BN1.221536-BJ8.26704	IBP161	806-180	2	
IP4152	BUMP STOP BOX	BJ8.26705 ON	IBP162	806-200	2	
IP4160	MAIN CHASSIS RAIL - FRONT HALF (RH)	BN1-BJ8	IBP163	857-885	1	
IP4161	MAIN CHASSIS RAIL - FRONT HALF (LH)	BN1-BJ8	IBP164	857-895	1	
IP4168	MAIN CHASSIS RAIL - REAR HALF (RH)	BN4-BJ8.26704	.	.	1	
IP4169	MAIN CHASSIS RAIL - REAR HALF (LH)	BN4-BJ8.26704	.	.	1	





PART	DESCRIPTION	APP	AF	ALT	QPV	
IP4170	MAIN CHASSIS RAIL - REAR HALF (RH)	BJ8.26705 ON	IBP164C	856-805	1	
IP4171	MAIN CHASSIS RAIL - REAR HALF (LH)	BJ8.26705 ON	IBP164D	856-815	1	
IP4180	MAIN CHASSIS RAIL - FULL LENGTH (RH)	BN1-BN2	IBP165	857-805	1	
IP4181	MAIN CHASSIS RAIL - FULL LENGTH (LH)	BN1-BN2	IBP165A	857-815	1	
IP4190	MAIN CHASSIS RAIL - FULL LENGTH (RH)	BJ8.26705 ON	IBP165D	857-845	1	
IP4191	MAIN CHASSIS RAIL - FULL LENGTH (LH)	BJ8.26705 ON	IBP165E	857-855	1	
IP4200	CHASSIS FRAME - C/W OUTRIGGERS & ENG. MTGS.	BN1-BN2	IBP166	.	1	
IP4201	CHASSIS FRAME - C/W OUTRIGGERS & ENG. MTGS.	BN4-BJ8.26704	IBP410	.	1	
IP4202	CHASSIS FRAME - C/W OUTRIGGERS & ENG. MTGS.	BJ8.26705 ON	IBP415	.	1	
IP4210	FRONT CROSS MEMBER	BN1-BJ8	IBP167	806-400/515	1	
IP4211	FRONT YOKE	BN4-BJ8	IBP167A	857-490	1	
IP4220	FRONT S/ABS MOUNTING PLATE - RH	BN1-BJ8	IBP168	856-110	1	
IP4230	FRONT S/ABS MOUNTING PLATE - LH	BN1-BJ8	IBP169	856-120	1	
IP4240	CROSS MEMBER ASSY. - CHASSIS CENTRE	BN1-BN2	IBP169A	806-525	1	
IP4250	REAR CROSS MEMBER - INCL. SPRING HANGERS	BN1-BN2	IBP170	806-440	1	
IP4251	REAR CROSS MEMBER - INCL. SPRING HANGERS	BN4-BJ8.26704	IBP171	806-450	1	
IP4252	REAR CROSS MEMBER - INCL. SPRING HANGERS	BJ8.26705 ON	IBP172	806-470	1	
IP4260	SPRING HANGER (INC. BUSHES)	BN1-BJ7	IBP173	806-465	2	
IP4261	SPRING HANGER	BJ8	IBP174	806-475	2	
IP4270	GREASE NIPPLE - SPRING HANGER	BN1-BJ8.26704	IBP174A	725-145	2	
IP4275	BRACKET - PANARD ROD	BN1-BJ8.26704	IBP175P	.	1	
IP4280	GUSSET - REAR CROSSMEMBER (RH)	BN1-BJ8	IBP175	806-415	1	
IP4290	GUSSET - REAR CROSSMEMBER (LH)	BN1-BJ7	IBP176	806-425	1	
IP4291	GUSSET - REAR CROSSMEMBER (LH)	BJ8	IBP177	806-435	1	
IP4294	SUPPORT - BUMPER BRKT TO RR SKIRT (RH)	BN1-BN2	.	.	1	
IP4295	SUPPORT - BUMPER BRKT TO RR SKIRT (LH)	BN1-BN2	.	.	1	
IP4300	REAR CHASSIS EXTENSION - R/H & L/H	BN1-BN2	IBP177A/B	806-445	2	
IP4302	REAR CHASSIS EXTENSION - R/H & L/H	BN4-BJ8	IBP178/9	.	2	
IP4320	OUTRIGGER - FRONT (RH)	BN1-BJ8	IBP180	857-600	1	
IP4330	OUTRIGGER - FRONT (LH)	BN1-BJ7	IBP181	857-610	1	
IP4340	OUTRIGGER - FRONT (LH)	BJ8	IBP182	857-645	1	

PART	DESCRIPTION	APP	AF	ALT	QPV	
IP4350	OUTRIGGER - REAR (RH)	BN1-BJ8	IBP183	857-620	1	
IP4360	OUTRIGGER - REAR (LH)	BN1-BJ7	IBP184	857-630	1	
IP4370	OUTRIGGER - REAR (LH)	BJ8	IBP185	857-650	1	
IP4375	MAIN FLOOR - RH (USE IP4380)	BN1-BN2	.	.	1	
IP4380	MAIN FLOOR - RH	BN4-BJ8	IBP186	856-030	1	
IP4385	MAIN FLOOR - LH (USE IP4390)	BN1-BN2	.	.	1	
IP4390	MAIN FLOOR - LH	BN4-BJ8	IBP187	856-020	1	
IP4400	PANEL - FLANGE TO GEARBOX (RH)	BJ7-BJ8	IBP187A	.	1	
IP4410	PANEL - FLANGE TO GEARBOX (LH)	BJ7-BJ8	IBP187B	.	1	
IP4420	EXTENSION ASSY - GEARBOX COVER (SIDE CHG)	BN4-BT7	IBP187E	807-115	1	
IP4421	SCUTTLE REINFORCEMENT PANEL - (CNTR CHG)	BT7-BJ7	IBP187F	.	1	
IP4422	SCUTTLE REINFORCEMENT PANEL (USE IP4421)	BJ8	IBP187G	.	1	
IP4428	FRONT FLOOR SECTION - RH (USE IP4430)	BN1-BN2	.	.	1	
IP4429	FRONT FLOOR SECTION - LH (USE IP4431)	BN1-BN2	.	.	1	
IP4430	FRONT FLOOR SECTION - RH	BN4-BJ8	IBP188	856-035	1	
IP4431	FRONT FLOOR SECTION - LH	BN4-BJ8	IBP189	856-025	1	
IP4480	BOOT FLOOR	BN1-BN2	IBP195	856-140	1	
IP4481	BOOT FLOOR	BN4-BJ8	IBP196	856-150	1	
IP4487	BRACKET - BATTERY MOUNT (FRONT)	ALL 4 SEATERS	.	.	1	
IP4488	BRACKET - BATTERY MOUNT (REAR)	ALL 4 SEATERS	.	.	1 OR 2	
IP4489	BOX - BOOT FLOOR (RH)	BN1-BN2	.	.	1	
IP4490	BOX - BOOT FLOOR (RH)	BN4-BJ8	IBP198	856-320	1	
IP4499	BOX - BOOT FLOOR (LH)	BN1-BN2	.	.	1	
IP4500	BOX - BOOT FLOOR (LH)	BN4-BJ8	IBP199	856-325	1	
IP4501	REAR FLOOR - RH	BN4-BJ8	IBP190/2	856-350	1	
IP4502	RADIUS ARM BOX (RH)	BJ8.26705 ON	.	.	1	
IP4510	BATTERY SWITCH BRACKET	BN1-BJ8	IBP201	031-412	1	
IP4520	BATTERY CABLE PANEL	BN1-BJ8	IBP202	856-330	1	
IP4530	BATTERY BASE SUPPORT BRACKET	BN4,BT7,BJ7&BJ8	IBP204	805-830	1	
IP4540	REAR SKIRT RAIL ASSY	BN4-BJ8	IBP205	805-725	1	
IP4551	REAR HEEL BOARD - END PLATE - RH	BJ8.26705 ON	IBP212	856-310	1	



PART	DESCRIPTION	APP	AF	ALT	QPV	
IP4561	REAR HEEL BOARD - END PLATE - LH	BJ8.26705 ON	IBP213	856-315	1	
IP4570	REAR HEEL BOARD BOARD - FULL WIDTH	BN1-BN2	IBP213A	806-660	1	
IP4571	REAR HEEL BOARD BOARD - FULL WIDTH	BN4,BT7,BJ7,BJ8	IBP214	.	1	
IP4580	REAR SEAT SURROUND PANEL	BN4,BT7,BJ7&BJ8	IBP220	805-820	1	
IP4590	HOOD DRAIN CHANNEL	BJ7-BJ8	IBP225	806-215	1	
IP4591	REAR FLOOR - LH	BN1-BN2	IBP189B	806-645	1	
IP4599	REAR FLOOR - RH	BN1-BN2	IBP189A	806-635	1	
IP4600	HOOD RAIL TRIM - REAR	BJ7-BJ8	IBP226	806-735	1	
IP4601	REAR FLOOR - LH	BN4-BJ8	IBP191/3	856-355	1	
IP4602	RADIUS ARM BOX (LH)	BJ8.26705 ON	.	.	1	
IP4610	RAIL TRIM - UPPER	BJ7(B)59372-BJ8	IBP227	806-195	1	
IP4620	CHASSIS ID PLATE - LONGBRIDGE	BN1-BN4.50758	IBP230	408-930	1	
IP4621	CHASSIS ID PLATE - ABINGDON	BN4.50759-BT7	IBP231	408-920	1	
IP4630	CHASSIS ID PLATE - ABINGDON	BN7-BJ8	IBP232	.	1	
IP4640	HEAT SHIELD KIT - RHD	BN1-BN2	IBP234	.	1	
IP4641	HEAT SHIELD KIT - LHD	BN1-BN2	IBP235	.	1	
IP4642	HEAT SHIELD KIT	BN4-BJ7	IBP236	.	1	
IP4643	HEAT SHIELD KIT	BJ8	IBP237	.	1	
IP4644	HEAT SHIELD - BAULKHEAD	BN4-BJ7	.	.	1	
IP4645	HEAT SHIELD - BAULKHEAD	BJ8	.	.	1	
IP4650	HEAT SHIELD KIT - UNDER FLOOR	BN1-BN2	IBP239	.	1	
IP4651	HEAT SHIELD KIT - UNDER FLOOR	BN4-BJ8	IBP240	.	1	
IP4652	BRACKET - CHASSIS TO SHROUD (RH)	BN1-BN2	IBP242	858-585	1	
IP4653	BRACKET - CHASSIS TO SHROUD (LH)	BN1-BN2	IBP243	858-595	1	
IP4654	BRACKET - CHASSIS TO SHROUD (RH)	BN4-BJ8	IBP244	805-285	1	
IP4655	BRACKET - CHASSIS TO SHROUD (LH)	BN4-BJ8	IBP245	805-295	1	
IP4660	CROSS BRACE PANEL	BN4-BJ8	IBP250	856-485	1	
IP4661	CROSS BRACE ASSY	BN4-BJ8	IBP250A	856-950	1	
IP4665	CROSS BRACE ASSY	BN1-BN2	.	.	2	
IP4667	HINGE PANEL - BONNET	BN1-BN2	.	.	1	
IP4668	HINGE BRACKET - BONNET	BN1-BN2	.	.	2	

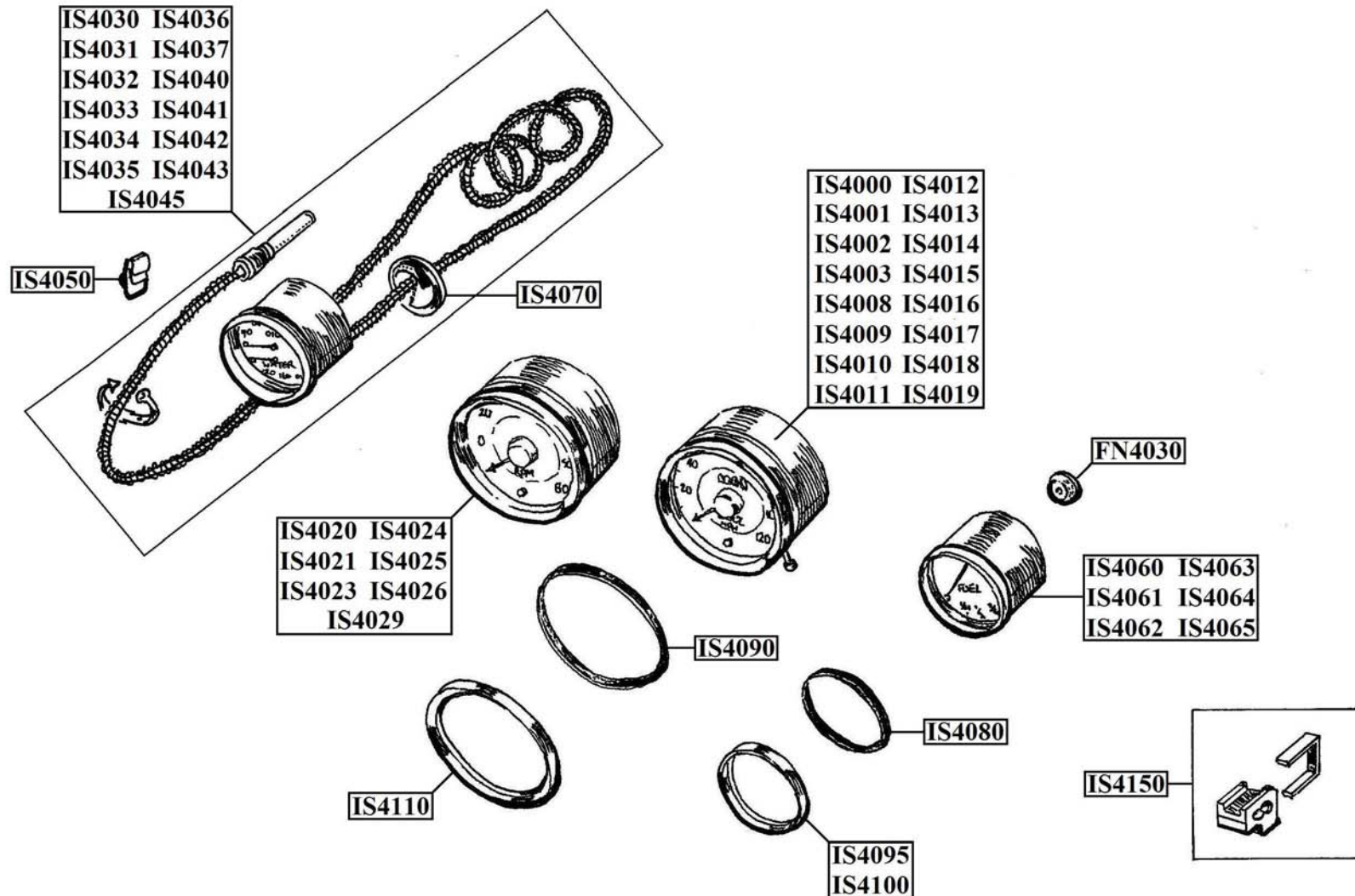
PART	DESCRIPTION	APP	AF	ALT	QPV	
IP4670	RADIATOR SUPPORT BRACKETS - PR	BN4-BJ8	IBP251	856-695	1	
IP4680	APRON PANEL - BEHIND GRILLE	BN1-BN2	IBP252	806-350	1	
IP4690	DIVISION PANEL - RAD TO GRILLE	BN1-BN2	IBP253	806-350	1	
IP4691	EXHAUST MTG. STUD - BOOT FLOOR	BJ8	IBP255	.	2	
IP4700	TRANSMISSION TUNNEL - REAR	BN1-BN2	IBP193A	806-630	1	
IP4701	TRANSMISSION TUNNEL - REAR	BN4-BJ8	IBP194	805-775	1	
IP4710	REAR DECK PANEL - R/H	BN1-BN2	IBP258	806-675	1	
IP4720	REAR DECK PANEL - L/H	BN1-BN2	IBP259	806-685	1	
IP4730	MOUNTING - STEERING BOX	BN4-BJ8	IBP260	806-265	1	
IP4750	RADIUS ARM STIFFENER - RH	BJ8.26705 ON	IBP262	856-745	1	
IP4751	RADIUS ARM STIFFENER - LH	BJ8.26705 ON	IBP263	856-855	1	
IP4780	FRONT WISHBONE MTG. - RH	BN1-BN2	IBP264	806-325	1	
IP4781	FRONT WISHBONE MTG. - LH	BN1-BN2	IBP265	806-335	1	
IP4782	FRONT WISHBONE MTG. - RH	BN4-BJ8	IBP266	806-485	1	
IP4783	FRONT WISHBONE MTG. - LH	BN4-BJ8	IBP267	806-495	1	
IP4790	REAR WISHBONE MTG. - RH	BN1-BJ8	IBP268	857-485	1	
IP4791	REAR WISHBONE MTG. - LH	BN1-BJ8	IBP269	857-495	1	
IP4800	ENGINE BEARER STRUT - RH	BN4-BJ8	IBP270	856-480	1	
IP4801	ENGINE BEARER STRUT - LH	BN4-BJ8	IBP271	856-490	1	
IP4810	HOUSING - FRONT SUSPENSION	BN4-BJ8	IBP272	856-475	1	
IP4819	FULL FOOTWELL FLOOR - RH (WITH CAPTIVE NUTS FITTED)	BJ8	.	.	1	
IP4820	FULL FOOTWELL FLOOR - RH (WITH CAPTIVE NUTS FITTED)	BN1-BJ8	IBP273	.	1	
IP4821	FULL FOOTWELL FLOOR - LH (WITH CAPTIVE NUTS FITTED)	BN1-BJ7	IBP274	.	1	
IP4822	FULL FOOTWELL FLOOR - LH (WITH CAPTIVE NUTS FITTED)	BJ8	.	.	1	
IP4840	FRONT WHEEL ARCH EXTENSION - RH	BN4-BJ8	IBP275	856-555	1	
IP4850	FRONT WHEEL ARCH EXTENSION - LH	BN4-BJ8	IBP276	856-565	1	
IP4860	ENGINE MOUNTING PLATFORM	BN4-BJ8	IBP277	856-445	1	
IP4870	BOOT CATCH STRUT	BN1-BJ8	IBP278	806-680	1	
IP4880	STEERING BRACKET GUSSET	BN4-BJ8	IBP279	.	1	
IP4890	OUTER FOOTWELL SIDE PANEL - RH	BN1-BJ8	IBP280	805-685	1	
IP4891	OUTER FOOTWELL SIDE PANEL - LH	BN1-BJ8	IBP281	805-695	1	



PART	DESCRIPTION	APP	AF	ALT	QPV	
IP4894	EXTENSION PLATE - SCUTTLE SIDE PANEL	BN4-BJ8	.	.	2	
IP4898	INNER FOOTWELL SIDE PANEL - RH	BN1-BN2	.	.	1	
IP4899	INNER FOOTWELL SIDE PANEL - LH	BN1-BN2	.	.	1	
IP4900	INNER FOOTWELL SIDE PANEL - RH	BN4-BJ8	IBP281A	.	1	
IP4901	INNER FOOTWELL SIDE PANEL - LH	BN4-BJ8	IBP281B	.	1	
IP4902	INNER FOOTWELL SIDE PANEL - RH	BJ8	.	.	1	
IP4903	INNER FOOTWELL SIDE PANEL - LH	BJ8	.	.	1	
IP4910	SHROUD SUPPORT - RH	BN4-BJ8	IBP282	856-675	1	
IP4911	SHROUD SUPPORT - LH	BN4-BJ8	IBP283	856-685	1	
IP4915	PLATE-SHROUD SUPPORT BRACKET - LH	BN4-BJ8	.	.	1	
IP4930	REAR SHOCK MTG. PLATE - RH	BT7-BJ8.26704	IBP285	856-415	1	
IP4931	REAR SHOCK MTG. PLATE - LH	BT7-BJ8.26704	IBP285A	856-415	1	
IP4932	REAR SHOCK MTG. PLATE - RH	BJ8.26705 ON	IBP286	856-425	1	
IP4933	REAR SHOCK MTG. PLATE - LH	BJ8.26705 ON	IBP286A	856-435	1	
IP4950	BACK PANEL - REAR SEATS (4 SEATERS)	BT7-BJ8	IBP290	.	1	
IP4980	TOP RAIL - SEAT BACK PANEL (4 SEATERS)	BT7-BJ8	IBP292	.	1	
IP5010	REAR DECK PANEL	BN6&BN7	IBP295	.	1	
IP5030	BOOT REAR BULKHEAD	BN1-BN2	.	.	1	
IP5040	BOOT REAR BULKHEAD	BN4-BJ8	IBP298	.	1	
IP5050	REAR HEEL BOARD	BN6&BN7	IBP299	805-790	1	
IP5060	BATTERY COVER PANEL	BN1-BN2	IBP299A	.	1	
IP5061	BATTERY COVER PANEL	BN6&BN7	IBP300	.	1	
IP5070	REAR DECK PANEL-R/H	BN6&BN7	IBP301	.	1	
IP5080	REAR DECK PANEL-L/H	BN6&BN7	IBP302	.	1	
IP5090	REAR FLOOR - R/H	BN6&BN7	IBP303	.	1	
IP5100	REAR FLOOR - L/H	BN6&BN7	IBP304	.	1	
IP5105	END SUPPORT REAR SHROUD - R/H	BN6&BN7	.	.	1	
IP5106	END SUPPORT REAR SHROUD - L/H	BN6&BN7	.	.	1	
IP5107	SUPPORT CHANNEL - REAR SHROUD	BN6&BN7	.	.	1	
IP5108	SUPPORT BRACE - REAR SHROUD	BN6&BN7	.	.	2	
IP5130	REAR DECK - BOOT FLOOR ASSY	BN1-BN2	IBP307	.	1	

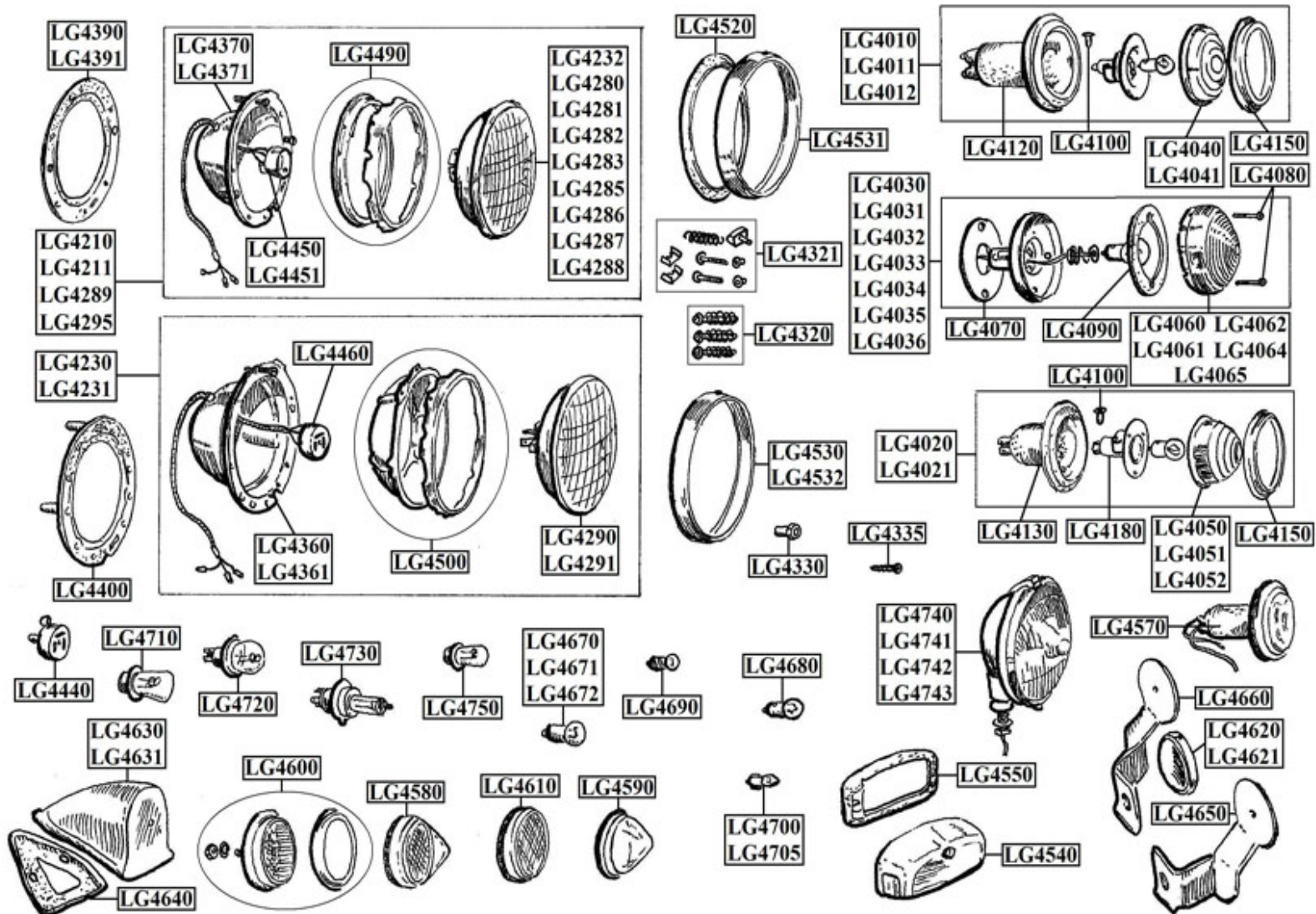
PART	DESCRIPTION	APP	AF	ALT	QPV	
IP5160	HOOD MOUNT PANEL - RH	BN4(LATE)-BT7	IBP310	.	1	
IP5161	HOOD MOUNT PANEL - LH	BN4(LATE)-BT7	IBP311	.	1	
IP5170	HOOD MOUNT PANEL - RH	BJ7-BJ8	IBP312	.	1	
IP5171	HOOD MOUNT PANEL - LH	BJ7-BJ8	IBP313	.	1	





PART	DESCRIPTION	APP	AF	ALT	QPV	
IS4001	SPEEDOMETER - MPH (OUTRIGHT)	BN1-BN2	INS101N	.	1	
IS4002	SPEEDOMETER - KPH (OUTRIGHT)	BN1-BN2	INS102N	.	1	
IS4013	SPEEDOMETER - MPH (OUTRIGHT) O/D	BT7-BJ7	INS110N	.	1	
IS4016	SPEEDOMETER - MPH (OUTRIGHT) O/D	BJ8	INS114N	.	1	
IS4021	TACHOMETER - OUTRIGHT	BN1-BN2	INS120N	.	1	
IS4024	TACHOMETER - OUTRIGHT	BN4-BJ7	INS121N	.	1	
IS4026	TACHOMETER - OUTRIGHT	BJ8	INS122N	.	1	
IS4031	OIL/WATER GAUGE - lbs/DEGREE F. (OUTRIGHT)	BN1-BN2	INS130N	.	1	
IS4035	OIL/WATER GAUGE - lbs/DEGREE F. (OUTRIGHT)	BN4.68960-BJ7	INS133N	.	1	
IS4037	OIL/WATER GAUGE - WHITE FACE (NON-ORIGINAL)	AR	INS138A	.	1	
IS4041	OIL/WATER GAUGE - lbs/DEGREE F. (OUTRIGHT)	BJ8	INS135N	.	1	
IS4043	OIL/WATER GAUGE - BLACK FACE (NON-ORIGINAL)	AR	INS138	.	1	
IS4050	CLIP - CAPILLARY SUPPORT	BT7-BJ8	INS139	326-965	2	
IS4061	FUEL GAUGE - OUTRIGHT	BN1-BN2	INS140N	.	1	
IS4063	FUEL GAUGE - OUTRIGHT	BN4-BJ7	INS141N	.	1	
IS4065	FUEL GAUGE - OUTRIGHT	BJ8	INS142N	.	1	
IS4070	GROMMET - BAULKHEAD (OIL/WATER GAUGE)	BN1-BJ8	INS145	680-630	1	
IS4080	RUBBER RING - SMALL INSTRUMENT	BN1-BJ8	INS150	280-870	2	
IS4090	RUBBER RING - LARGE INSTRUMENT	BN1-BJ8	INS151	280-890	2	
IS4095	CHROME RING - SMALL INSTUMENT	BN1-BN2	.	.	2	
IS4100	CHROME RING - SMALL INSTUMENT	BN4-BJ8	INS155	360-075	2	
IS4110	CHROME RING - LARGE INSTUMENT	BN4-BJ8	INS157	360-085	2	
IS4140	INSTRUMENT FACES - CAR SET	BN1-BN2	INS160	.	1	
IS4141	INSTRUMENT FACES - CAR SET	BN4-BJ7	INS161	.	1	
IS4142	INSTRUMENT FACES - CAR SET	BJ8	INS162	.	1	
IS4150	NYLON SHOE & RETAINING STRIP - TACHOMETER	BJ8	INS163	.	1	

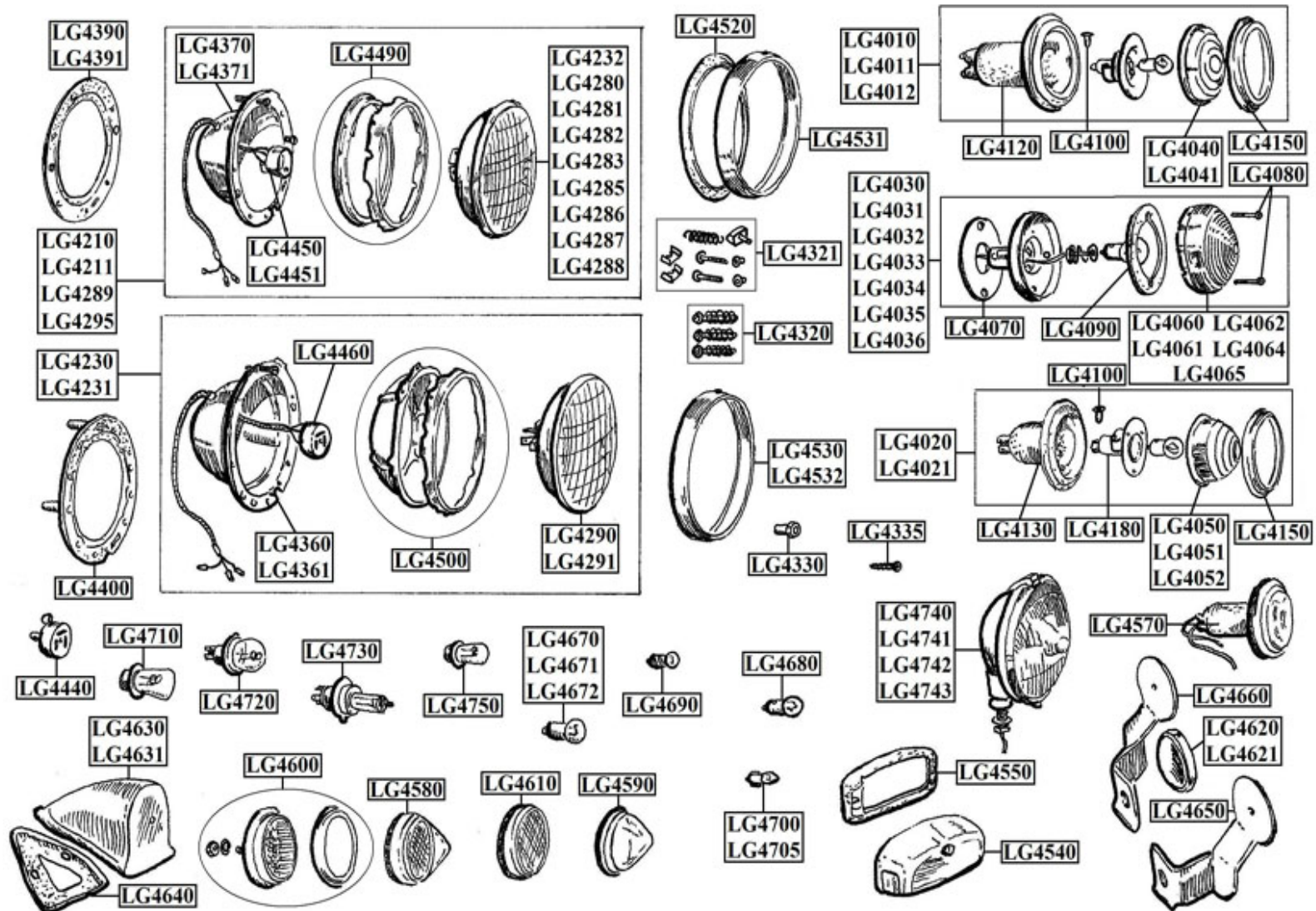




PART	DESCRIPTION	APP	AF	ALT	QPV	
LG4010	SIDE/FLASHER LIGHT - FRONT	BN1-BN2	LTG101	143-450	2	
LG4011	TAIL/FLASHER LIGHT	BN1-BN2	LTG110	143-700	2	
LG4012	SIDE/FLASHER LIGHT - FRONT	100S	.	.	2	
LG4020	SIDE/FLASHER LIGHT - FRONT	BN4-BJ8.26704	LTG102	544-050	2	
LG4021	TAIL/FLASHER LIGHT	BN4-BJ8.26704	LTG111	143-950	2	
LG4030	SIDE/FLASHER LIGHT - FRONT	BJ8.26705-(B)76137	LTG103	143-630	2	
LG4031	SIDE LIGHT - FRONT	BJ8(B)76138 ON	LTG104	544-070	2	
LG4032	TAIL/FLASHER LIGHT	BJ8.26705-(B)76137	LTG112	144-430	2	
LG4033	TAIL/FLASHER LIGHT (LUCAS)	BJ8.26705-(B)76137	.	.	2	
LG4034	FLASHER LIGHT - FRONT & REAR	BJ8(B)76138 ON	LTG116	143-660	4	
LG4035	FLASHER LIGHT - FRONT & REAR (LUCAS)	BJ8(B)76138 ON	.	.	4	
LG4036	SIDE LIGHT - FRONT (LUCAS)	BJ8(B)76138 ON	.	.	2	
LG4040	LENS - CLEAR	BN1-BN2	LTG120	552-060	2	
LG4041	LENS - RED	BN1-BN2	LTG130	164-300	2	
LG4050	LENS - CLEAR	BN4-BJ8.26704	LTG121	560-270	2	
LG4051	LENS - RED	BN4-BJ8.26704	LTG131	164-900	2	
LG4052	LENS - AMBER (NOT STANDARD)	BN4-BJ8.26704	LTG140	560-275	2	
LG4060	LENS - CLEAR	BJ8.26705 ON	LTG122	560-280	2	
LG4061	LENS - RED	BJ8.26705 ON	LTG132	874-495	2	
LG4062	LENS - AMBER	BJ8(B)76138 ON	LTG141	164-850	4	
LG4064	LENS - RED (LUCAS)	BJ8.26705 ON	LTG132	874-495	2	
LG4065	LENS - CLEAR (LUCAS)	BJ8.26705 ON	LTG122	.	2	
LG4070	GASKET - LAMP TO BODY	BJ8.26705 ON	LTG143	282-790	8	
LG4080	SCREW - LENS RETAINING	BJ8.26705 ON	LTG145	560-540	16	
LG4090	GASKET - LENS SEATING	BJ8.26705 ON	LTG146	164-760	8	
LG4100	SLEEVE - CONNECTING	BN1-BJ8	LTG147	157-107	As Req	
LG4120	LIGHT BODY - RUBBER	BN1-BN2	LTG150	280-520	4	
LG4130	LIGHT BODY - RUBBER	BN4-BJ8.26704	LTG151	159-600	4	
LG4150	CHROME RIM - LIGHT BODY	BN1-BJ8.26704	LTG154	158-400	4	
LG4180	BULB HOLDER	BN4-BJ8.26704	LTG157	552-120	4	
LG4210	HEADLAMP - RHD (BULB TYPE)	BN1-BJ8	LTG160	.	2	

PART	DESCRIPTION	APP	AF	ALT	QPV	
LG4211	HEADLAMP - LHD (BULB TYPE)	BN1-BJ8	LTG161	144-790	2	
LG4230	HEADLAMP - RHD (SEALED BEAM)	BJ8	LTG163	.	2	
LG4231	HEADLAMP - LHD (SEALED BEAM)	BJ8	LTG164	144-800	2	
LG4232	LIGHT UNIT - LHD (LUCAS-H4)	BN1-BJ8	LTG167B	.	2	
LG4280	LIGHT UNIT - HALOGEN (RHD) PR (W/O PILOT)	BN1-BJ8	LTG166	.	1	
LG4281	LIGHT UNIT - HALOGEN (RHD) PR (WITH PILOT)	BN1-BJ8	LTG166A	.	1	
LG4282	LIGHT UNIT - HALOGEN (LHD) PR (W/O PILOT)	BN1-BJ8	LTG167	.	1	
LG4283	LIGHT UNIT - HALOGEN (LHD) PR (WITH PILOT)	BN1-BJ8	LTG167A	.	1	
LG4285	LIGHT UNIT - RHD (PL BULB TYPE)	BN1-BJ8	LTG168	.	2	
LG4286	LIGHT UNIT - LHD (PL BULB TYPE)	BN1-BJ8	LTG169	.	2	
LG4287	LIGHT UNIT - RHD (BULB TYPE)	BN1-BJ8	LTG170	.	2	
LG4288	LIGHT UNIT - LHD (BULB TYPE)	BN1-BJ8	LTG171	.	2	
LG4289	HEADLAMP UNIT - LE MANS	BN1-BN2	.	.	2	
LG4290	LIGHT UNIT - RHD (SEALED BEAM)	BJ8	LTG172	.	2	
LG4291	LIGHT UNIT - LHD (SEALED BEAM)	BJ8	LTG173	171-100	2	
LG4295	LIGHT UNIT COMPL. - 5.3/4" HAL. MAIN BEAM (LUCAS)	BN4-BJ8	.	.	2	
LG4320	ADJUSTING SCREW SET - BULB TYPE	AR	LTG175	147-015	2	
LG4321	ADJUSTING SCREW SET - SEALED BEAM	AR	LTG176	552-115	2	
LG4330	BRASS NUT - H/L (BUCKET TO BODY)	BN1-BJ8	LTG177	310-155	8	
LG4335	SCREW - BRASS NUT (H/L) BUCKET TYPE	BN1-BJ8	.	.	8	
LG4360	HEADLAMP BOWL - BULB TYPE	BN1-BJ8	LTG181	144-797	2	
LG4361	HEADLAMP BOWL - BULB TYPE (LUCAS) INCL. ADJ.	BN1-BJ8	.	.	2	
LG4370	HEADLAMP BOWL - METAL (SEALED BEAM)	BN1-BJ8	LTG182	144-807	2	
LG4371	HEADLAMP BOWL - METAL (SEALED BEAM) LUCAS	BN1-BJ8	LTG182	144-807	2	
LG4390	GASKET - BOWL TO BODY (3 ADJ.)	BN1-BJ8	LTG184	560-190	2	
LG4391	GASKET - BOWL TO BODY (3 ADJ.) GENUINE LUCAS	BN1-BJ8	LTG184	560-190	2	
LG4400	GASKET - BOWL TO BODY (2 ADJ.)	BJ8	LTG185	164-050	2	
LG4440	BULB ADAPTOR - LESS WIRES (SEALED BEAM)	BJ8	LTG189	.	2	
LG4450	HEADLAMP PIGTAIL - C/W ADAPTOR	BN1-BJ8	LTG190	.	2	
LG4451	HEADLAMP PIGTAIL - C/W ADAPTOR (LUCAS)	BN1-BJ8	LTG190	.	2	
LG4460	HEADLAMP PIGTAIL - C/W ADAPTOR (SEALED BEAM)	BJ8	LTG191	171-400	2	

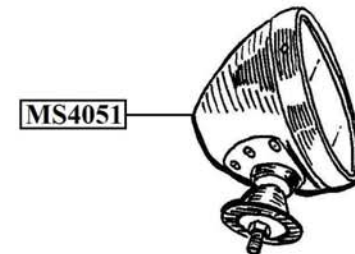
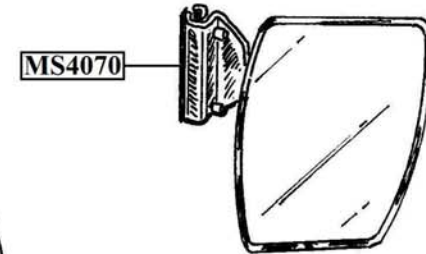
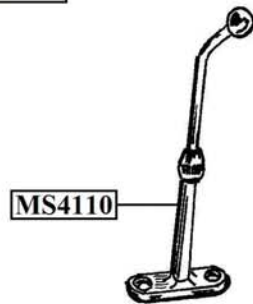
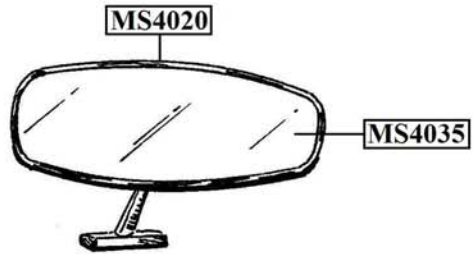
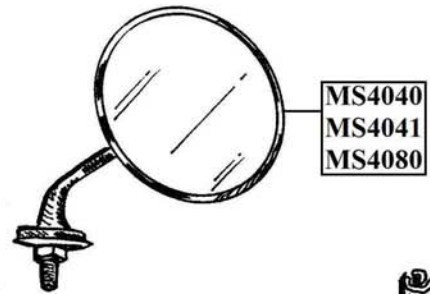
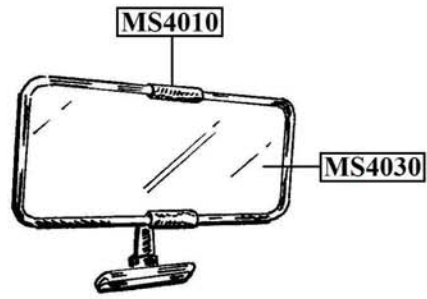




PART	DESCRIPTION	APP	AF	ALT	QPV
LG4490	INNER RIM ASSY. - 3 ADJ.	BN1-BJ8	LTG194	157-300	2
LG4500	INNER RIM ASSY. - 2 ADJ.	BJ8	LTG195	560-215/700	2
LG4520	DUST EXCLUDER - RUBBER	BN4-BT7	LTG197	280-120	2
LG4530	HEADLAMP RIM - CHROME	BN1-BN2	LTG198	560-180	2
LG4531	HEADLAMP RIM - CHROME	BN4-BJ8	LTG199	164-080	2
LG4532	HEADLAMP RIM - 5.3/4" CHROME (LUCAS) W/ LG4295	BN4-BJ8	.	.	2
LG4540	NUMBER PLATE LIGHT	BN1-BJ8	LTG201	144-200	1
LG4550	RUBBER PAD - NUMBER PLATE LAMP	BN1-BJ8	LTG202	280-540	1
LG4570	INDICATOR LAMP - NON STD. (RR. SHROUD REFLECTOR)	BN4-BJ7	LTG207	.	2
LG4580	REFLECTOR & CONE ASSY.	BN4 (EARLY CARS)	LTG208	544-670	2
LG4590	AMBER COVER - REFLECTOR	BN4	LTG209	.	2
LG4600	REFLECTOR	BN1-BN2	LTG210	144-700	2
LG4610	REFLECTOR	BN4-BJ8(B)76137	LTG211	544-700	2
LG4620	REFLECTOR	BJ8(B)76138 ON	LTG212	544-710	2
LG4621	REFLECTOR - LUCAS	BJ8(B)76138 ON	LTG212	544-710	2
LG4630	REFLECTOR MTG. POD - RH	BN1-BN2	LTG213	544-690	1
LG4631	REFLECTOR MTG. POD - LH	BN1-BN2	LTG214	544-680	1
LG4640	RUBBER PAD - POD TO BODY (RH & LH)	BN1-BN2	LTG215	021-772	2
LG4650	REFLECTOR MOUNTING BRACKET - RH	BJ8(B)76138 ON	LTG218	544-720	1
LG4660	REFLECTOR MOUNTING BRACKET - LH	BJ8(B)76138 ON	LTG219	544-730	1
LG4670	BULB - SIDE/STOP/TAIL	BN1-BJ8	LTG220	170-700	As Req
LG4671	BULB - SIDELIGHT	BJ8	LTG221	170-300	As Req
LG4672	BULB - FLASHER	BJ8(B)76138 ON	LTG222	170-800	As Req
LG4680	BULB - NUMBER PLATE LIGHT	BN1-BJ8	LTG223	170-250	As Req
LG4690	BULB - INSTRUMENT LIGHTING (SCREW FIT)	BN1-BJ8	LTG224	171-000	As Req
LG4700	BULB - WARNING LIGHT (BAYONET TYPE)	BN1-BJ8	LTG224A	.	As Req
LG4705	BULB - INSTRUMENT LIGHTS (CAPLESS)	BN1-BJ8	.	.	As Req
LG4710	BULB - HEADLAMP (BAYONET FITTING) TYPE 414	BN1-BJ8	LTG225	170-460	As Req
LG4720	BULB - HEADLAMP (SPADE FITTING) TYPE 410	BN1-BJ8	LTG226	170-650	As Req
LG4730	BULB - HEADLAMP (QUARTZ HALOGEN) TYPE 414	BN1-BJ8	LTG228	.	As Req
LG4740	FOG LAMP - SFT576 (REPRO)	BN1-BJ8	LTG230	162-800	1 OR 2

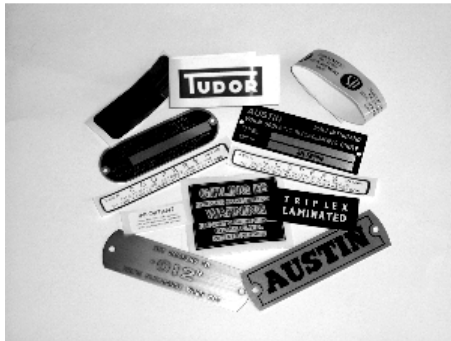
PART	DESCRIPTION	APP	AF	ALT	QPV
LG4741	SPOT LAMP - SLR576 (REPRO)	BN1-BJ8	LTG231	162-700	1 OR 2
LG4742	SPOT LAMP - SLR700	BN1-BJ8	LTG233	.	1 OR 2
LG4743	FOG LAMP - SFT700	BN1-BJ8	LTG234	.	1 OR 2
LG4746	FOG LIGHT - REAR (S.S.)	BN1-BJ8	.	.	1
LG4747	REVERSING LIGHT - CHROME (NON ORIG.)	BN1-BJ8	.	.	1
LG4750	BULB - FOG & SPOT LAMPS	BN1-BJ8	LTG235	.	As Req





PART	DESCRIPTION	APP	AF	ALT	QPV	
MS4010	INTERIOR MIRROR	BN1-BJ7	MRS101	165-150	1	
MS4012	REAR VIEW MIRROR - PILLAR MOUNTED	BN1-BN2	.	.	2	
MS4014	REAR VIEW MIRROR - PILLAR MOUNTED	BN4-BT7	.	.	2	
MS4020	INTERIOR MIRROR	BJ8	MRS102	165-160	1	
MS4030	GLASS - INTERIOR MIRROR	BN1-BJ7	.	.	1	
MS4035	GLASS - INTERIOR MIRROR	BJ8	.	.	1	
MS4040	WING MIRROR - RH (FLAT TYPE)	BN1-BJ8	MRS105	165-400	1	
MS4041	WING MIRROR - LH (FLAT TYPE)	BN1-BJ8	MRS106	165-500	1	
MS4050	WING MIRROR - SPEED TYPE	BN1-BJ8	MRS108	222-350	2	
MS4051	BULLET MIRROR - ALUMINIUM POLISHED (TEX)	BN1-BJ8	MRS109	.	2	
MS4060	INTERIOR MIRROR - SUCTION TYPE	BN1-BJ8	.	.	As Req	
MS4070	QUARTER LIGHT MIRROR - CLAMP ON	BJ7-BJ8	MRS112	.	2	
MS4080	WING MIRROR - SPRING BACK	BN1-BJ8	MRS114	165-270	2	
MS4100	MIRROR STEM - LENGTHENED	BN1-BJ8	MRS116	.	1	
MS4110	MIRROR STEM - ADJUSTABLE	BN1-BJ8	MRS118	.	1	





MC4370



MC4371



MC4050



MC4010



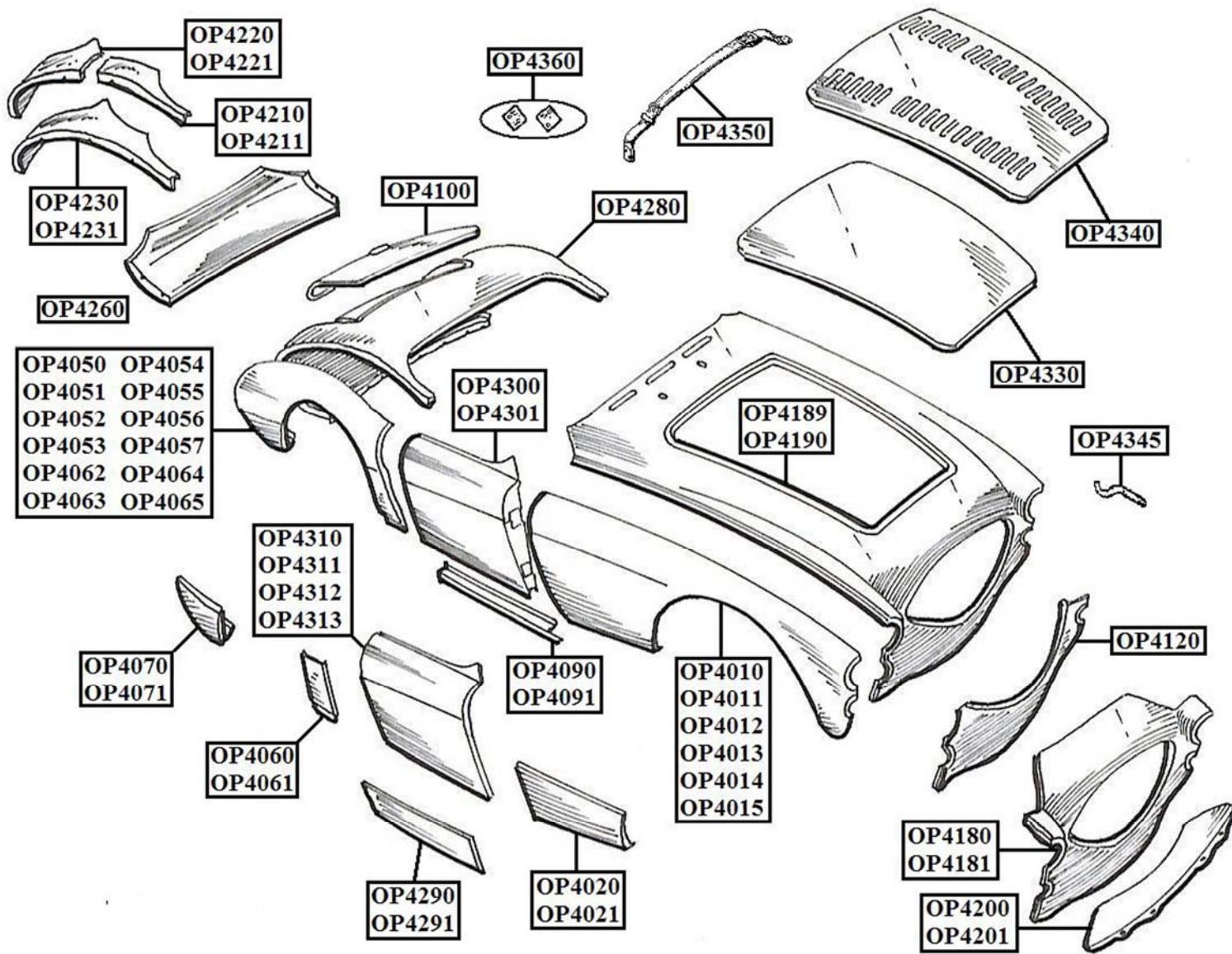
MC4069



PART	DESCRIPTION	APP	AF	ALT	QPV	
MC4005	CUFFLINKS - PAIR (HEALEY 100 LTD. EDITION)	NA	.	.	As Req	
MC4010	ASH TRAY - CHROME	BN1-BJ8	MSC101	031-322	1	
MC4020	NO. PLATE BRACKET - FRONT	BN1-BN2	MSC104	.	1	
MC4021	NO. PLATE BRACKET - FRONT	BN4-BJ8	MSC105	806-390	1	
MC4030	NO. PLATE BRACKET - REAR	BN1-BJ8	MSC106	451-720	1	
MC4040	MTG. BRACKET ONLY (REAR BRACKET)	BN1-BJ8	MSC107	806-360	1	
MC4041	FINISHER PLATES - PR	BN4-BN4.68959	MSC109	806-370/380	1	
MC4050	HARD TOP & DUST EXCLUDER FINISHER - PR	BN4-BT7	MSC110	021-784/5	1	
MC4054	WOOD BLOCK SET - ALUM. TRIM PLATES	BN4.68960-BT7	.	.	1	
MC4060	HOOD SOCKET TRIM PLATE - PR	BN6-BT7	MSC112	021-786	1	
MC4069	SEAT BELT KIT FRONT - PER SEAT (CLASSIC TYPE) 2 POINT FIXING	BN1-BJ8	.	.	2	
MC4070	SEAT BELT KIT FRONT - PER SEAT (CLASSIC TYPE) 3 POINT FIXING	BN1-BJ8	MSC114	.	2	
MC4071	SEAT BELT KIT FRONT - PER SEAT (STATIC TYPE)	BN1-BJ8	MSC115	.	2	
MC4072	SEAT BELT KIT FRONT - PER SEAT (AUTOMATIC TYPE)	BN1-BJ8	MSC116	.	2	
MC4073	SEAT BELT KIT REAR - PER SEAT (STATIC TYPE)	BN4&BT7-BJ8	MSC118	.	2	
MC4075	COMPETITION SEAT BELT - BLACK (FIA APPROVED)	BN1-BJ8	COM290	.	2	
MC4076	COMPETITION SEAT BELT - BLUE (FIA APPROVED)	BN1-BJ8	COM291	.	2	
MC4077	COMPETITION SEAT BELT - RED (FIA APPROVED)	BN1-BJ8	COM292	.	2	
MC4078	HARNESS SEAT BELT - 4 POINT FIXING (BLACK)	BN1-BJ8	.	.	2	
MC4080	SELECTION OF GROMMETS	BN1-BJ8	MSC120	.	1	
MC4090	BULKHEAD GROMMET SET	BN1-BJ8	MSC121	681-018	1	
MC4095	SEALING KIT - GEARBOX TUNNEL	BN1-BJ8	.	.	1	
MC4100	TOOL ROLL	BN1-BN2	MSC124	221-220	1	
MC4110	TOOL BAG	BN4-BT7	MSC124A	221-240	1	
MC4111	TOOL BAG	BJ7-BJ8	MSC125	221-250	1	
MC4120	JACK BAG - ORIGINAL STYLE	BN4-BJ8	MSC126	221-230	1	
MC4130	JACK BAG	BN1-BN2	MSC127	221-210	1	
MC4140	JACK HANDLE BAG - SHORT	BN1-BN2	MSC128	221-225	1	
MC4150	JACK HANDLE BAG - LONG	BN2-BN2.LATE	MSC129	221-235	1	
MC4180	HYLOMAR BLUE GASKET - 100gm TUBE	BN1-BJ8	MSC170	.	As Req	
MC4190	STRAP - JACK RETAINING	BN1-BJ8	MSC172	221-205	1	

PART	DESCRIPTION	APP	AF	ALT	QPV	
MC4220	BMC ROSETTE - SELF ADHESIVE	BN1-BJ8	MSC175	.	As Req	
MC4221	BMC ROSETTE - WINSCREEN	BN1-BJ8	.	.	As Req	
MC4240	OIL DRIP TRAY - GALVANIZED STEEL	BN1-BJ8	.	.	1	
MC4300	SCREEN DEMISTER - CHROME (LUCAS)	BN1-BJ8	.	.	1 OR 2	
MC4320	BRACKET - SEAT BELT (QUICK RELEASE)	BN1-BJ8	MSC190	.	1 OR 2	
MC4321	CHROME PLATE - SEAT BELT MOUNTING	BJ7-BJ8	.	.	2	
MC4325	EYE BOLTS - SEAT BELT FITTING	BN1-BJ8	.	.	4	
MC4326	THREADED PLATE - SEAT BELT EYE BOLT	BN1-BJ8	.	.	4	
MC4340	UNF FASTENER KIT - 160 ITEMS	BN1-BJ8	MSC192	.	As Req	
MC4370	DECAL SET	BN4-BT7	MSC196	.	1	
MC4371	DECAL SET	BJ7-BJ8	MSC197	.	1	
MC4374	LABEL - WARNING (NEGATIVE EARTH)	BN1-BJ8	.	.	1	
MC4375	ROLL OVER BAR KIT - FRONT (FLAT SCREEN)	BN4-BT7.MK2	.	.	1	
MC4376	ROLL OVER BAR - REAR (2+2 ONLY)	BN4&BT7.MK2	.	.	1	
MC4400	TILT LIFT ENGINE SLING	BN1-BJ8	.	.	1	
MC4496	CRIMPING TOOL - SOLDERLESS NIPPLE	BN1-BJ8	.	.	1	
MC4600	COMPRESSOR - COIL SPRING	BN1-BJ8	.	.	1	

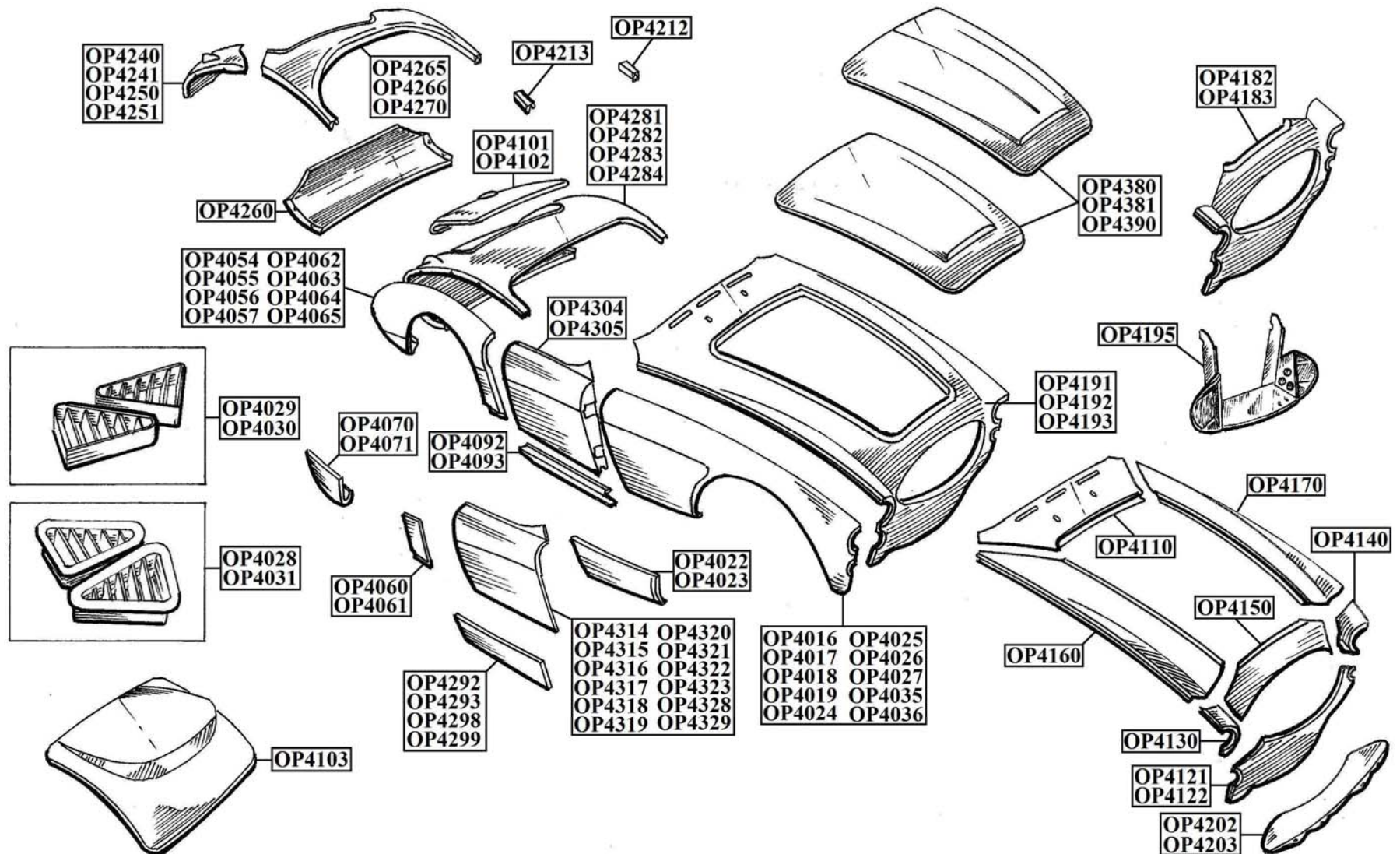




PART	DESCRIPTION	APP	AF	ALT	QPV	
OP4010	FRONT WING - ALUMINIUM (RH)	BN1	OBP103	806-865	1	
OP4011	FRONT WING - ALUMINIUM (LH)	BN1	OBP104	806-875	1	
OP4012	FRONT WING - STEEL (RH)	BN2	OBP105	857-570	1	
OP4013	FRONT WING - STEEL (LH)	BN2	OBP106	806-820	1	
OP4014	FRONT WING - ALUMINIUM (RH)	BN2	OBP107	806-830	1	
OP4015	FRONT WING - ALUMINIUM (LH)	BN2	OBP108	806-840	1	
OP4016	FRONT WING - STEEL (RH)	BN4-BJ8	OBP109	806-850	1	
OP4017	FRONT WING - STEEL (LH)	BN4-BJ8	OBP110		1	
OP4018	FRONT WING - ALUMINIUM (RH)	BN4-BJ8	OBP111		1	
OP4019	FRONT WING - ALUMINIUM (LH)	BN4-BJ8	OBP112	858-045	1	
OP4020	WING REPAIR - REAR LOWER (RH) FRONT WING	BN1-BN2	OBP114	858-035	1	
OP4021	WING REPAIR - REAR LOWER (LH) FRONT WING	BN1-BN2	OBP115	858-405	1	
OP4022	WING REPAIR - REAR LOWER (RH) FRONT WING	BN4-BJ8	OBP118	858-415	1	
OP4023	WING REPAIR - REAR LOWER (LH) FRONT WING	BN4-BJ8	OBP119	858-025	1	
OP4024	FRONT WING - ALUMINIUM (RH) FLARED ARCHES	BN4-BJ8	COM105	858-110	1	
OP4025	FRONT WING - ALUMINIUM (LH) FLARED ARCHES	BN4-BJ8	COM106	858-100	1	
OP4026	FRONT WING - ALUMINIUM (RH) VENTS & FLARES	BN4-BJ8	COM110	858-125	1	
OP4027	FRONT WING - ALUMINIUM (LH) VENTS & FLARES	BN4-BJ8	COM111	858-135	1	
OP4028	VENTS - FRONT WING (ALUM.) FLANGED (PR)	BN1-BJ8	COM113	858-010	1	
OP4029	VENTS - FRONT WING (ALUM.) NO FLANGE (PR)	BN1-BJ8	COM114	858-000	1	
OP4030	VENTS - FRONT WING (STEEL) NO FLANGE (PR)	BN1-BJ8			1	
OP4031	VENTS - FRONT WING (STEEL) FLANGED (PR)	BN1-BJ8			1	
OP4035	FRONT WING - ALUMINIUM (RH) WITH VENTS	BN4-BJ8	COM101	858-105	1	
OP4036	FRONT WING - ALUMINIUM (LH) WITH VENTS	BN4-BJ8	COM102	858-115	1	
OP4050	REAR WING - STEEL (RH)	BN1	OBP120	858-015	1	
OP4051	REAR WING - STEEL (LH)	BN1	OBP121	806-760	1	
OP4052	REAR WING - ALUMINIUM (RH)	BN1	OBP122	806-770	1	
OP4053	REAR WING - ALUMINIUM (LH)	BN1	OBP123	857-510	1	
OP4054	REAR WING - STEEL (RH)	BN2-BJ8	OBP124	857-500	1	
OP4055	REAR WING - STEEL (LH)	BN2-BJ8	OBP125	806-860	1	
OP4056	REAR WING - ALUMINIUM (RH)	BN2-BJ8	OBP126	806-870	1	

PART	DESCRIPTION	APP	AF	ALT	QPV	
OP4057	REAR WING - ALUMINIUM (LH)	BN2-BJ8	OBP127	806-880	1	
OP4060	WING REPAIR - FRONT LOWER (REAR WING) RH	BN1-BJ8	OBP130	806-890	1	
OP4061	WING REPAIR - FRONT LOWER (REAR WING) LH	BN1-BJ8	OBP131	857-515	1	
OP4062	REAR WING - ALUMINIUM (RH) SMALL FLARES	BN2-BJ8	COM115	858-055	1	
OP4063	REAR WING - ALUMINIUM (LH) SMALL FLARES	BN2-BJ8	COM116	858-065	1	
OP4064	REAR WING - ALUMINIUM (RH) LARGE FLARES	BN2-BJ8	COM120	857-540	1	
OP4065	REAR WING - ALUMINIUM (LH) LARGE FLARES	BN2-BJ8	COM121	857-550	1	
OP4070	WING REPAIR - REAR LOWER (REAR WING) RH	BN1-BJ8	OBP132	857-525	1	
OP4071	WING REPAIR - REAR LOWER (REAR WING) LH	BN1-BJ8	OBP133	855-960	1	
OP4090	OUTER SILL - RH	BN1-BN2	OBP140	855-950	1	
OP4091	OUTER SILL - LH	BN1-BN2	OBP141	021-881	1	
OP4092	OUTER SILL - RH	BN4-BJ8	OBP144	021-880	1	
OP4093	OUTER SILL - LH	BN4-BJ8	OBP145	858-120	1	
OP4100	BOOT LID - ALUMINIUM	BN1-BN2	OBP151	858-020	1	
OP4101	BOOT LID - STEEL	BN4-BJ8	OBP155	858-005	1	
OP4102	BOOT LID - ALUMINIUM	BN4-BJ8	OBP156	806-895	1	
OP4103	BOOT LID - ALUMINIUM (WORKS TYPE)	BN4-BJ8	COM140	857-560	1	
OP4110	SCUTTLE TOP - FRONT SHROUD	BJ7-BJ8	OBP158		1	
OP4120	LOWER FRONT SECTION - FRONT SHROUD	BN1-BN2	OBP159		1	
OP4121	LOWER FRONT SECTION - FRONT SHROUD	BN4-BJ8(B)76137	OBP160	857-535	1	
OP4122	LOWER FRONT SECTION - FRONT SHROUD	BJ8(B)76138 ON	OBP161	857-545	1	
OP4130	HEADLAMP SECTION - RH (FRONT SHROUD)	BN4-BJ8	OBP164	857-555	1	
OP4140	HEADLAMP SECTION - LH (FRONT SHROUD)	BN4-BJ8	OBP165	857-565	1	
OP4150	TOP FRONT SECTION - FRONT SHROUD	BN4-BJ8	OBP168	857-575	1	
OP4160	SIDE PANEL - RH (FRONT SHROUD)	BN4-BJ8	OBP170	857-585	1	
OP4170	SIDE PANEL - LH (FRONT SHROUD)	BN4-BJ8	OBP171	857-595	1	
OP4180	NOSE ASSY. ONLY - FRONT SHROUD	BN1-BN2	OBP171A	858-435	1	
OP4181	NOSE ASSY. ONLY - FRONT SHROUD	100S	OBP171B		1	
OP4182	NOSE ASSY. ONLY - FRONT SHROUD	BN4-BJ8(B)76137	OBP172	858-935	1	
OP4183	NOSE ASSY. ONLY - FRONT SHROUD	BJ8(B)76138 ON	OBP173	858-945	1	
OP4189	FRONT SHROUD - COMPLETE	100S			1	

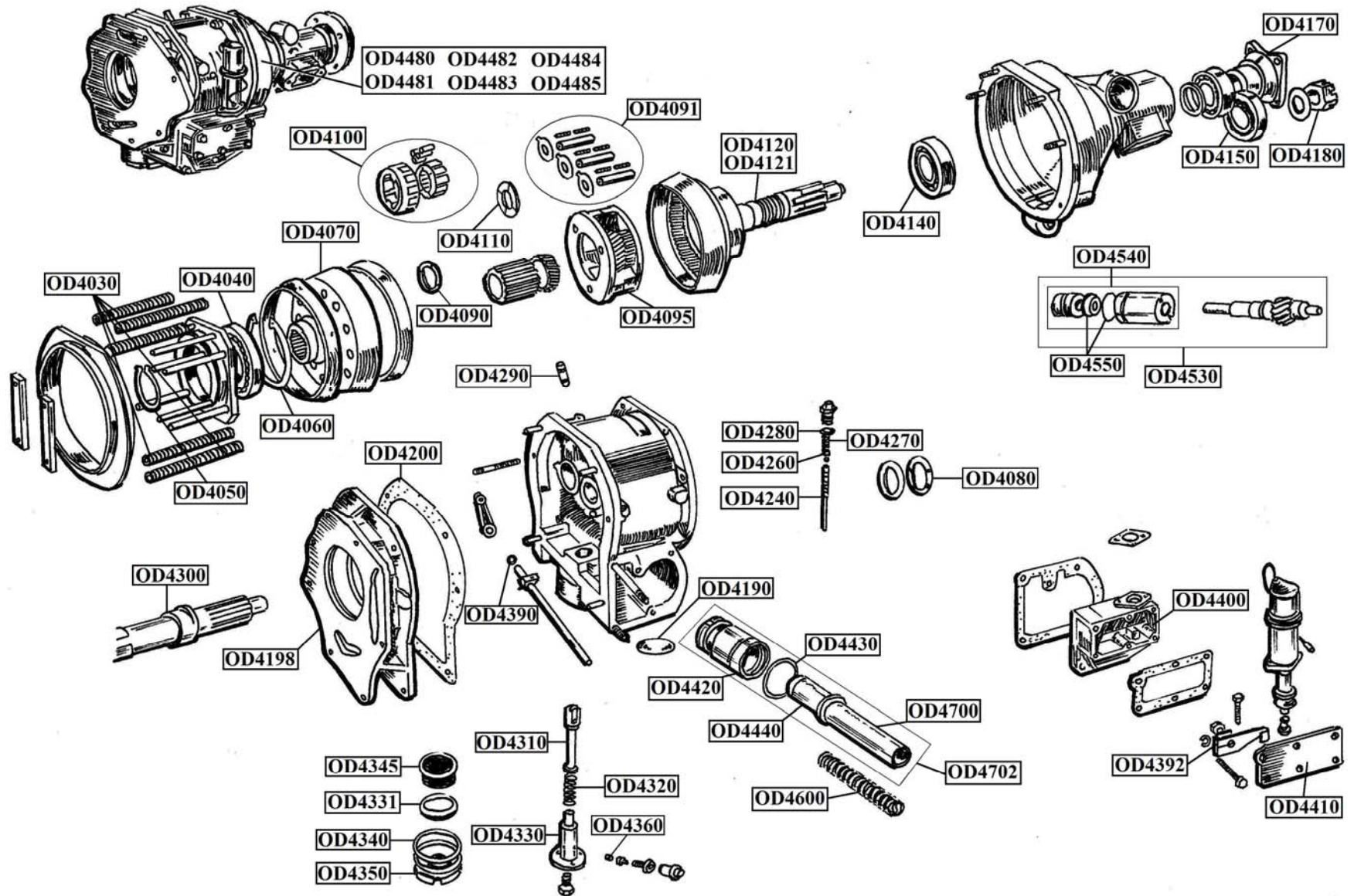




PART	DESCRIPTION	APP	AF	ALT	QPV
OP4190	FRONT SHROUD - COMPLETE	BN1-BN2	OBP174	858-425	1
OP4191	FRONT SHROUD - COMPLETE	BN4-BT7	OBP175	858-905	1
OP4192	FRONT SHROUD - COMPLETE	BJ7- BJ8(B)76137	OBP176	858-915	1
OP4193	FRONT SHROUD - COMPLETE	BJ8(B)76138 ON	OBP177	805-000	1
OP4195	AIR DUCTING - RADIATOR (RALLY CAR)	BN4-BJ8			1
OP4200	FRONT VALANCE - STEEL	BN1-BN2	OBP180	858-130	1
OP4201	FRONT VALANCE - ALUMINIUM	BN1-BN2	OBP181	031-350	1
OP4202	FRONT VALANCE - STEEL	BN4-BJ8	OBP182	021-749	1
OP4203	FRONT VALANCE - ALUMINIUM	BN4-BJ8	OBP183	858-235	1
OP4210	SIDE REPAIR PANEL - REAR SHROUD (RH UPPER)	BN1-BN2	OBP184	858-245	1
OP4211	SIDE REPAIR PANEL - REAR SHROUD (LH UPPER)	BN1-BN2	OBP185	858-185	1
OP4212	FRONT CORNER REPAIR - RH (REAR SHROUD)	BN4-BT7			1
OP4213	FRONT CORNER REPAIR - LH (REAR SHROUD)	BN4-BT7			1
OP4220	SIDE REPAIR PANEL - REAR SHROUD (RH LOWER)	BN1-BN2	OBP184A	858-315	1
OP4221	SIDE REPAIR PANEL - REAR SHROUD (LH LOWER)	BN1-BN2	OBP185A	858-195	1
OP4230	SIDE REPAIR PANEL - REAR SHROUD (RH COMPLETE)	BN1-BN2	OBP184B	858-325	1
OP4231	SIDE REPAIR PANEL - REAR SHROUD (LH COMPLETE)	BN1-BN2	OBP185B	858-195	1
OP4240	SIDE REPAIR PANEL - REAR SHROUD (RH)	BN4- BJ8(B)76137	OBP186	858-565	1
OP4241	SIDE REPAIR PANEL - REAR SHROUD (RH)	BJ8(B)76138 ON	OBP188	858-575	1
OP4250	SIDE REPAIR PANEL - REAR SHROUD (LH)	BN4- BJ8(B)76137	OBP187	858-555	1
OP4251	SIDE REPAIR PANEL - REAR SHROUD (LH)	BJ8(B)76138 ON	OBP189	857-710	1
OP4260	REAR SHROUD - REAR SECTION (LOWER)	BN1-BJ8	OBP190		1
OP4265	REAR SHROUD - UPPER SECTION (FRONT)	BN6&BN7			1
OP4266	REAR SHROUD - UPPER SECTION (FRONT)	BN4&BT7	OBP190C	858-170	1
OP4270	REAR SHROUD - UPPER SECTION (FRONT)	BJ7&BJ8	OBP190D	858-445	1
OP4280	REAR SHROUD - COMPLETE	BN1-BN2	OBP191	858-455	1
OP4281	REAR SHROUD - COMPLETE	BN4&BT7	OBP191A	858-475	1
OP4282	REAR SHROUD - COMPLETE	BJ7- BJ8(B)76137	OBP192	857-690	1
OP4283	REAR SHROUD - COMPLETE	BJ8(B)76138 ON	OBP193	857-680	1
OP4284	REAR SHROUD - COMPLETE	BN6&BN7			1
OP4290	DOOR REPAIR PANEL - LOWER (RH)	BN1-BN2	OBP198	857-580	1
OP4291	DOOR REPAIR PANEL - LOWER (LH)	BN1-BN2	OBP199	857-590	1

PART	DESCRIPTION	APP	AF	ALT	QPV
OP4292	DOOR REPAIR PANEL - LOWER (RH)	BN4-BJ8	OBP200		1
OP4293	DOOR REPAIR PANEL - LOWER (LH)	BN4-BJ8	OBP201		1
OP4298	DOOR REPAIR PANEL - BOTTOM FRAME (RH)	BN4-BJ8			1
OP4299	DOOR REPAIR PANEL - BOTTOM FRAME (LH)	BN4-BJ8			1
OP4300	DOOR - COMPLETE (ALUMINIUM) RH	BN1-BN2	OBP202	858-075	1
OP4301	DOOR - COMPLETE (ALUMINIUM) LH	BN1-BN2	OBP203	858-085	1
OP4304	DOOR - COMPLETE (ALUMINIUM) RH	BN4-BT7	OBP206	858-145	1
OP4305	DOOR - COMPLETE (ALUMINIUM) LH	BN4-BT7	OBP207	858-155	1
OP4310	DOOR SKIN - STEEL (RH)	BN1-BN2	OBP220	858-165	1
OP4311	DOOR SKIN - STEEL (LH)	BN1-BN2	OBP221	858-175	1
OP4312	DOOR SKIN - ALUMINIUM (RH)	BN1-BN2	OBP222	856-225	1
OP4313	DOOR SKIN - ALUMINIUM (LH)	BN1-BN2	OBP223	856-235	1
OP4314	DOOR SKIN - STEEL (RH)	BN4-BT7	OBP224	856-640	1
OP4315	DOOR SKIN - STEEL (LH)	BN4-BT7	OBP225	856-650	1
OP4316	DOOR SKIN - ALUMINIUM (RH)	BN4-BT7	OBP226	856-660	1
OP4317	DOOR SKIN - ALUMINIUM (LH)	BN4-BT7	OBP227	856-670	1
OP4318	DOOR SKIN - STEEL (RH)	BJ7	OBP228	856-615	1
OP4319	DOOR SKIN - STEEL (LH)	BJ7	OBP229	856-625	1
OP4320	DOOR SKIN - STEEL (RH)	BJ8	OBP232	858-080	1
OP4321	DOOR SKIN - STEEL (LH)	BJ8	OBP233	858-070	1
OP4322	DOOR SKIN - ALUMINIUM (RH)	BJ8	OBP234	221-608	1
OP4323	DOOR SKIN - ALUMINIUM (LH)	BJ8	OBP235	221-598	1
OP4328	DOOR SKIN - ALUMINIUM (RH)	BJ7	OBP230		1
OP4329	DOOR SKIN - ALUMINIUM (LH)	BJ7	OBP231		1
OP4330	BONNET - ALUMINIUM	BN1-BN2	OBP241	856-145	1
OP4340	BONNET - ALUMINIUM (LOUVRED)	BN1-BN2	OBP243	858-140	1
OP4345	HINGE - BONNET	BN1-BN2			2
OP4350	STRAP ASSY - BONNET SECURING	BN1-BN2	OBP244	021-751	1
OP4360	CHROME FIXING PLATES - PR	BN1-BN2	OBP245		1
OP4380	BONNET - ALUMINIUM (RIBBED)	BN4	OBP250		1
OP4381	BONNET - ALUMINIUM (PLAIN)	BN6-BJ8	OBP253		1
OP4390	BONNET - ALUMINIUM (LOUVRED)	BN6-BJ8	OBP255		1

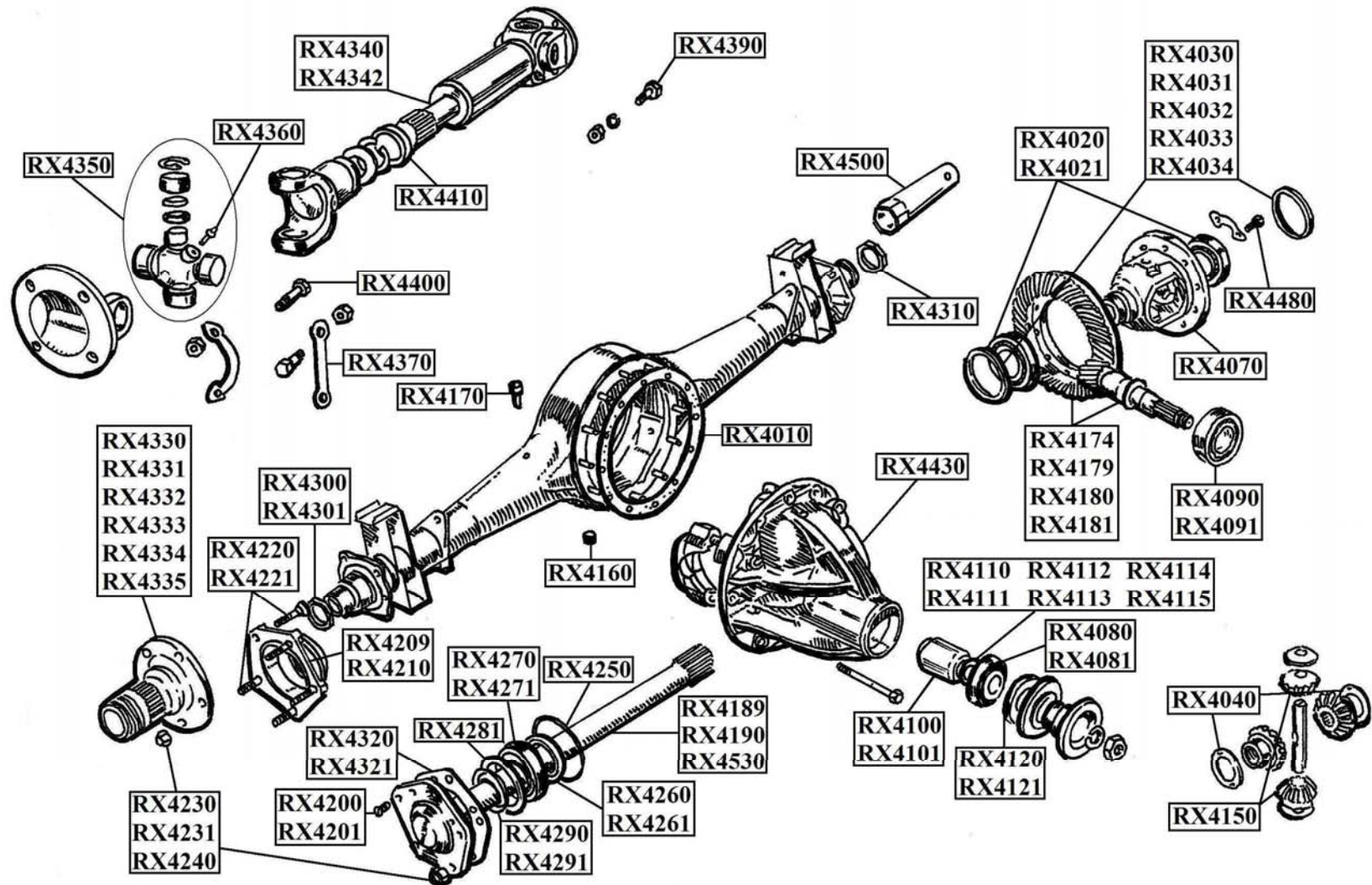




PART	DESCRIPTION	APP	AF	ALT	QPV
OD4020	LOCK NUT - BRIDGE BAR	BN1-BJ8	.	.	4
OD4030	CLUTCH RETURN SPRING SET	BN1-BJ8	OVD103	866-445	1
OD4040	BEARING - CLUTCH THRUST	BN1-BJ8	OVD104	866-470	1
OD4050	CIRCLIP - EXTERNAL (SMALL)	BN1-BJ8	OVD105	326-700	1
OD4060	CIRCLIP - EXTERNAL (LARGE)	BN1-BJ8	OVD106	326-710	1
OD4080	THRUST WASHER - SUN WHEEL (FRONT)	BN1-BJ8	OVD115	866-780	1
OD4090	THRUST WASHER - SUN WHEEL (REAR)	BN1-BJ8	OVD116	866-560	1
OD4091	REPAIR KIT - PLANET CARRIER	BN1-BJ8	OVD118	.	1
OD4100	UNI-DIRECTIONAL CLUTCH - COMPLETE	BN1-BJ8	OVD123	466-055	1
OD4110	THRUST WASHER - UNI-DIRECTIONAL CLUTCH	BN1-BJ8	OVD128	866-620	1
OD4130	CENTRE BUSH - O/D MAIN BODY (PR)	BN1-BJ8	OVD133	.	1
OD4140	BEARING - ANNULUS (FRONT)	BN1-BJ8	OVD134	866-630	1
OD4150	BEARING - ANNULUS (REAR)	BN1-BJ8	OVD135	525-150	1
OD4170	FLANGE - COUPLING	BN2-BJ8	.	.	1
OD4180	NUT - COUPLING FLANGE	BN1-BJ8	OVD139	.	1
OD4190	CORE PLUG	BN1-BJ8	OVD145	.	1
OD4198	ADAPTER PLATE - O/D TO G/BOX (USED)	BT7(MK2)-BJ8	.	.	1
OD4200	GASKET - ADAPTER PLATE	BN1-BJ8	OVD148	697-260	1
OD4210	PISTON - OPERATING	BN1-BJ8	OVD150	866-400	2
OD4220	RING SET - OPERATING PISTON (TO 22/3009/607)	BN1-BT7	OVD151	866-410	2
OD4230	O RING - OPERATING PISTON (22/3009/608 ON)	BT7-BJ8	OVD152	866-420	2
OD4240	OPERATING VALVE	BN1-BJ8	OVD155	866-060	1
OD4260	PLUNGER - BALL VALVE	BN1-BJ8	OVD157	866-070	2
OD4270	SPRING PLUNGER	BN1-BJ8	OVD158	866-080	2
OD4280	WASHER PLUG	BN1-BJ8	OVD159	435-567	1
OD4290	BREATHER	BN1-BJ8	OVD162	.	1
OD4300	OPERATING CAM - OIL PUMP	BN1-BJ8	OVD164	866-100	1
OD4310	PLUNGER - ROLLER ASSY (OIL PUMP)	BN1-BJ8	OVD165	866-120	1
OD4320	SPRING - OIL PUMP	BN1-BJ8	OVD166	866-130	1
OD4330	BODY - OIL PUMP	BN1-BJ8	OVD167	866-140	1
OD4331	MAGNETIC WASHER - DRAIN PLUG	BT7-BJ8	OVD172	866-220	1

PART	DESCRIPTION	APP	AF	ALT	QPV
OD4340	WASHER - DRAIN PLUG	BT7-BJ8	OVD173	866-270	1
OD4345	BRASS FILTER - OIL PUMP	BN4-BJ8	.	.	1
OD4350	DRAIN PLUG (22/3009/8745 ON)	BT7-BJ8	OVD174	866-250	1
OD4355	C SPANNER - O/D DRAIN PLUG	BN1-BJ8	.	.	1
OD4360	BALL - NON RETURN VALVE	BN1-BJ8	OVD180	329-510	1
OD4390	O RING - OPERATING SHAFT	BN1-BJ8	OVD185	866-030	2
OD4392	LEVER - SOLENOID	BN4-BJ8	.	.	1
OD4400	SOLENOID BRACKET	BN4-BJ8	.	.	1
OD4402	GASKET - SOLENOID BRACKET	BN1-BJ8	.	.	1
OD4410	COVER - SOLENOID BRACKET	BT7-BJ8	OVD195	.	1
OD4411	GASKET - SOLENOID BRACKET COVER	BN4-BJ8	.	.	1
OD4412	DISTANCE COLLAR - SOLENOID LEVER	BN4-BJ8	.	.	1
OD4420	ACCUMULATOR HOUSING	BN1-BJ8	OVD200	866-320	1
OD4430	O RING - ACCUMULATOR HOUSING	BN1-BJ8	OVD201	866-690	1
OD4440	PISTON - ACCUMULATOR	BN1-BJ8	OVD202	866-330	1
OD4481	OVERDRIVE UNIT - RECONDITIONED (OUTRIGHT)	BN1	OVD209A	.	1
OD4483	OVERDRIVE UNIT - RECONDITIONED (28%) OUTRIGHT	BN2-BN6	OVD210A	.	1
OD4485	OVERDRIVE UNIT - RECONDITIONED (22%) OUTRIGHT	BT7-BJ8	OVD211A	.	1
OD4500	RING SET - ACCUMULATOR PISTON	BN1-BJ8	OVD203	866-360	1
OD4530	PINION GEAR & BEARING ASSY - 22%	BT7-BJ8	OVD216	.	1
OD4540	BEARING ASSY - 28% & 22%	BN2-BJ8	OVD217	.	1
OD4550	OIL SEAL & O RING - 28% & 22%	BN2-BJ8	OVD218	.	1
OD4560	OVERDRIVE KIT - UPRATED (FAST ROAD)	BN1-BJ8	.	.	1
OD4561	OVERDRIVE KIT - UPRATED (FULL RACE)	BN1-BJ8	.	.	1
OD4600	PRESSURE SPRING - ACCUMULATOR	BN1-BJ8	OVD205	866-680	1
OD4700	TUBE - PRESSURE SPRING	BN1-BJ8	OVD206	031-348	1
OD4702	ACCUM. PISTON & SPRING ASSEMBLY - 1.3/4"	BN4-BJ8	.	.	1



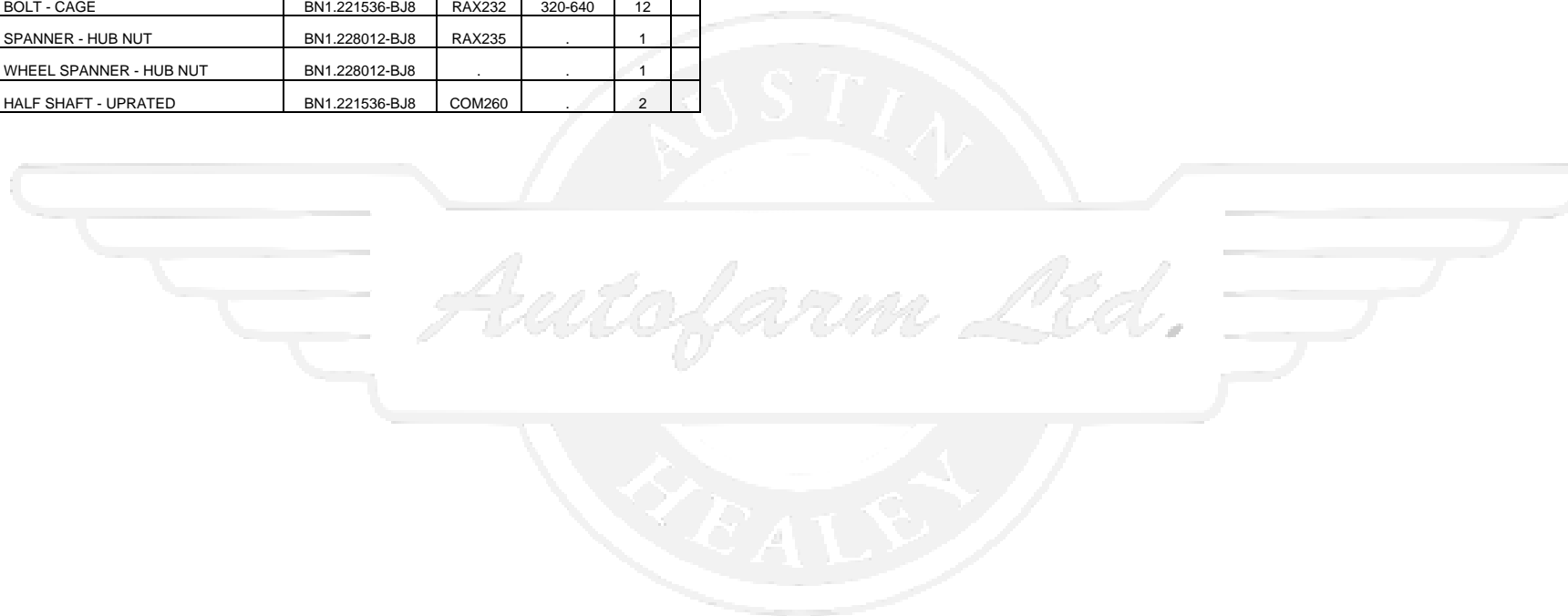


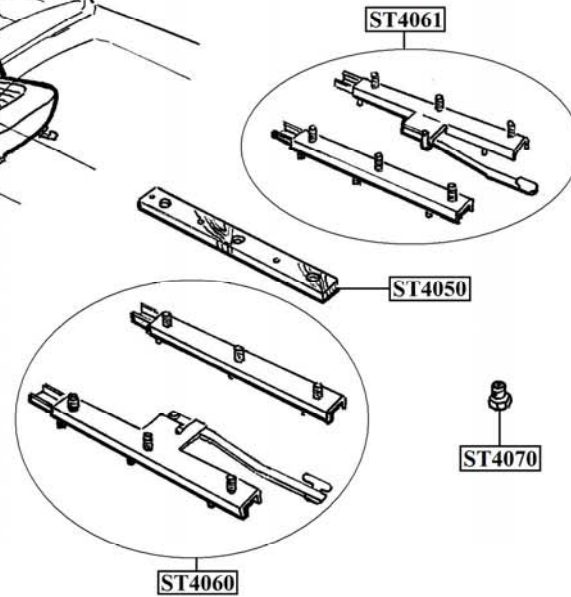
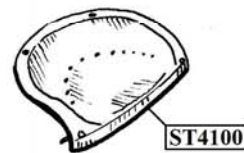
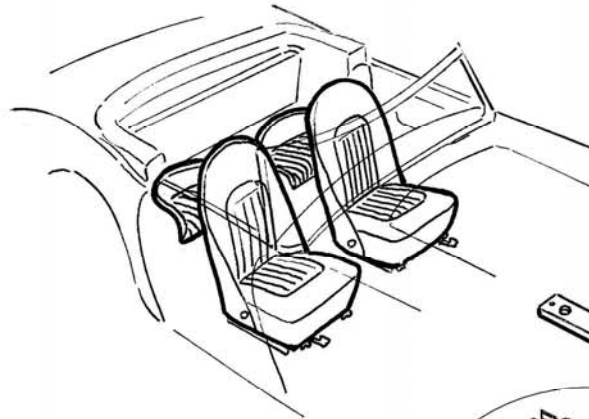
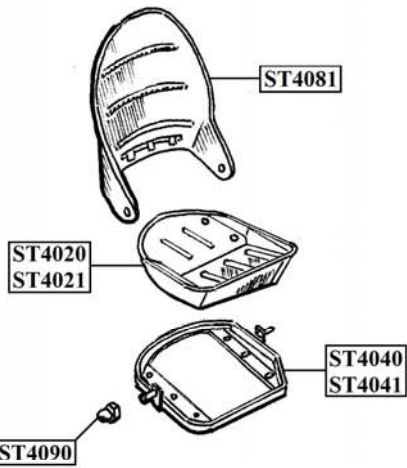
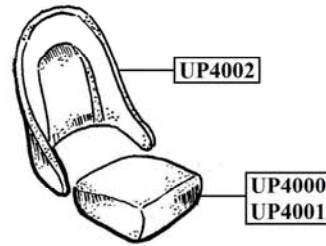
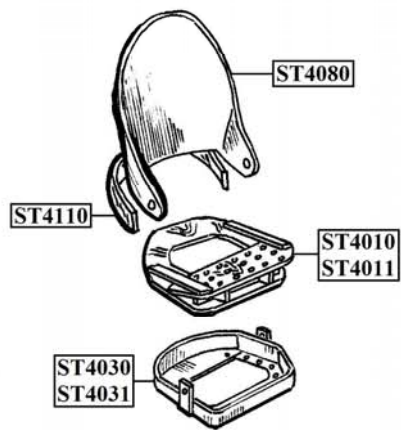
PART	DESCRIPTION	APP	AF	ALT	QPV	
RX4010	GASKET - DIFFERENTIAL	BN1.221536-BJ8	RAX101	697-440	1	
RX4020	BEARING - DIFFERENTIAL	BN1- BN1.221535	RAX102	127-700	2	
RX4021	BEARING - DIFFERENTIAL	BN1.221536-BJ8	RAX103	620-546	2	
RX4030	SHIM - DIFF. BEARING (.193")	BN1.221536-BJ8	RAX105	675-115	As Req	
RX4031	SHIM - DIFF. BEARING (.187")	BN1.221536-BJ8	RAX107	675-130	As Req	
RX4032	SHIM - DIFF. BEARING (.183")	BN1.221536-BJ8	RAX109	675-150	As Req	
RX4033	SHIM - DIFF. BEARING (.181")	BN1.221536-BJ8	RAX110	675-160	As Req	
RX4034	SHIM - DIFF. BEARING (.177")	BN1.221536-BJ8	RAX112	675-180	As Req	
RX4040	THRUST WASHER - DIFF. GEAR	BN1.221536-BJ8	RAX118	675-200	2	
RX4070	CAGE - DIFFERENTIAL	BN1.221536-BJ8	RAX122	031-288	1	
RX4080	BEARING - PINION (FRONT)	BN1- BN1.221535	RAX123	125-805	1	
RX4081	BEARING - PINION (FRONT)	BN1.221536-BJ8	RAX124	021-178	1	
RX4090	BEARING - PINION (REAR)	BN1- BN1.221535	RAX125	125-600	1	
RX4091	BEARING - PINION (REAR)	BN1.221536-BJ8	RAX126	021-179	1	
RX4100	SPACER - PINION	BN1- BN1.221535	RAX128	267-230	1	
RX4101	SPACER - PINION	BN1.221536-BJ8	RAX129	675-290	1	
RX4110	SHIM - PINION (.002")	BN1.221536-BJ8	RAX130	.	As Req	
RX4111	SHIM - PINION (.003")	BN1.221536-BJ8	RAX130A	.	As Req	
RX4112	SHIM - PINION (.005")	BN1.221536-BJ8	RAX130B	.	As Req	
RX4113	SHIM - PINION (.010")	BN1.221536-BJ8	RAX131	675-350	As Req	
RX4114	SHIM - PINION (.020")	BN1.221536-BJ8	RAX133	675-370	As Req	
RX4115	SHIM - PINION (.030")	BN1.221536-BJ8	RAX134	675-380	As Req	
RX4120	OIL SEAL - PINION	BN1- BN1.221535	RAX136	520-310	1	
RX4121	OIL SEAL - PINION	BN1.221536-BJ8	RAX137	021-191	1	
RX4150	PINION - DIFFERENTIAL	BN1.221536-BJ8	RAX144	031-285	1	
RX4160	DRAIN PLUG	BN1.221536-BJ8	RAX148	319-060	1	
RX4170	BREATHER - AXLE CASING	BN1-BJ8	RAX149	267-040	1	
RX4174	CROWN WHEEL & PINION - 3.66:1	BN1.221535	RAX301	.	1	
RX4179	CROWN WHEEL & PINION - 4.3:1 (WORKS RATIO)	BN1.221535-BJ8	CRAX150	.	1	
RX4180	CROWN WHEEL & PINION - 3.9:1 (O/D RATIO)	BN1.221536-BJ8	RAX150	031-283	1	
RX4181	CROWN WHEEL & PINION - 3.5:1 (NON O/D RATIO)	BN1.221536-BJ8	RAX151	031-284	1	

PART	DESCRIPTION	APP	AF	ALT	QPV	
RX4182	DIFFERENTIAL - LTD. SLIP (QUAIFE)	BN1.221536-BJ8	COM190	.	1	
RX4200	SCREW - HALF SHAFT RETAINING	BN1-BN1.221535	RAX152A	.	2	
RX4201	SCREW - HALF SHAFT RETAINING	BN1.221536-BJ8	RAX153	323-250	2	
RX4220	STUD - REAR HUB	BN1-BN1.221535	RAX160	675-400	8	
RX4221	STUD - REAR HUB (WIRE WHEELS)	BN1.221536-BJ8	RAX161	031-293	10	
RX4230	LOCKNUT - STUD (WIRE WHEELS)	BN1-BN1.221535	RAX164	311-300	8	
RX4231	LOCKNUT - STUD (WIRE WHEELS)	BN1.221536-BJ8	RAX165	031-294	10	
RX4240	NUT - STUD (DISC WHEEL)	BN1-BJ8	RAX167	311-600	20	
RX4250	O RING - HALF SHAFT	BN7&BT7-BJ8	RAX170	675-430	2	
RX4260	OIL SEAL - REAR HUB	BN1-BN1.221535	RAX172	120-900	2	
RX4261	OIL SEAL - REAR HUB	BN1.221536-BJ8	RAX174	535-085	2	
RX4270	BEARING - REAR HUB	BN1-BN1.221535	RAX176	127-600	2	
RX4271	BEARING - REAR HUB	BN1.221536-BJ8	RAX178	021-174	2	
RX4281	SPACER - HUB BEARING	BN7&BT7-BJ8	RAX182	675-450	2	
RX4290	LOCK WASHER - AXLE NUT	BN1-BN1.221535	RAX182A	267-450	2	
RX4291	LOCK WASHER - AXLE NUT	BN1.228012-BJ8	RAX183	031-292	2	
RX4300	NUT - AXLE TUBE (BOTH SIDES)	BN1-BN1.221535	RAX183A	031-393	2	
RX4301	NUT - AXLE TUBE R/H	BN1.228012-BJ8	RAX184	311-580	1	
RX4310	NUT - AXLE TUBE L/H	BN1.228012-BJ8	RAX185	311-590	1	
RX4320	GASKET - HALF SHAFT	BN1-BN1.221535	RAX189	293-105	2	
RX4321	GASKET - HALF SHAFT	BN1.228012-BJ8	RAX190	697-460	2	
RX4330	HUB EXTENSION - WIRE WHEEL (RH)	BN1-BN1.221535	RAX200	664-020	1	
RX4331	HUB EXTENSION - WIRE WHEEL (LH)	BN1-BN1.221535	RAX201	664-030	1	
RX4332	HUB EXTENSION - WIRE WHEEL (RH)	BN1.221536 - BJ8.26704	RAX205	031-290	1	
RX4333	HUB EXTENSION - WIRE WHEEL (LH)	BN1.221536 - BJ8.26704	RAX206	301-365	1	
RX4334	HUB EXTENSION - WIRE WHEEL (RH)	BJ8.26705 ON	RAX210	664-000	1	
RX4335	HUB EXTENSION - WIRE WHEEL (LH)	BJ8.26705 ON	RAX211	664-010	1	
RX4340	PROPSHAFT - NEW (OUTRIGHT SALE)	BN2-BJ8	RAX214	268-070	1	
RX4342	PROPSHAFT - HIGH DEFLECTION (RALLY/RACE)	BN1-BJ8	COM217	.	1	
RX4345	TRIPMASTER TRIGGER - PROPSHAFT	BN1-BJ8	CMSC450	.	2	
RX4350	UNIVERSAL JOINT - PROPSHAFT	BN1-BJ8	RAX217	674-650	2	



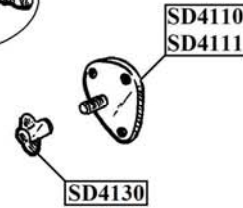
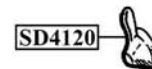
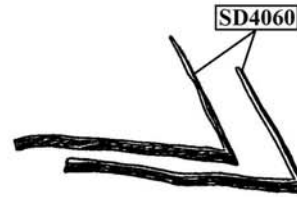
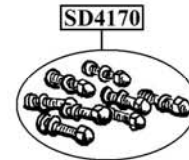
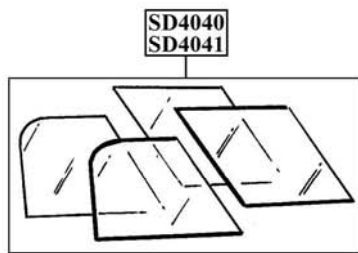
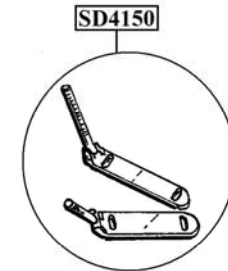
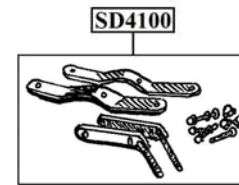
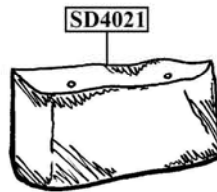
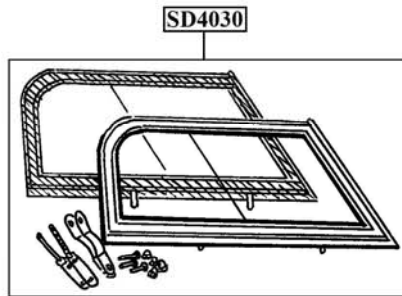
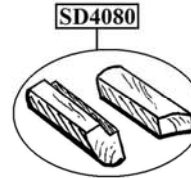
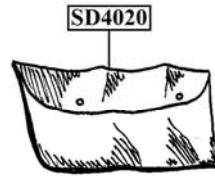
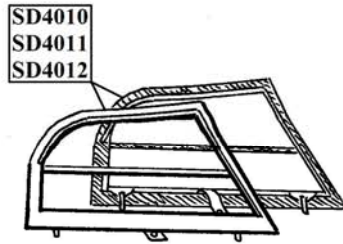
PART	DESCRIPTION	APP	AF	ALT	QPV	
RX4360	GREASE NIPPLE - UNIVERSAL JOINT	BN1-BJ8	RAX218	328-540	2	
RX4370	LOCKWASHER - PROPSHAFT TO O/D	BN1-BJ8	RAX219	031-299	2	
RX4390	BOLT - PROPSHAFT TO DIFFERENTIAL	BN2-BJ8	RAX221	662-080	4	
RX4400	BOLT - FLANGE TO OVERDRIVE	BN1-BJ8	RAX222	662-095	4	
RX4410	CORK RING - DUST CAP	BN2-BJ8	RAX223	675-100	1	
RX4480	BOLT - CAGE	BN1.221536-BJ8	RAX232	320-640	12	
RX4500	SPANNER - HUB NUT	BN1.228012-BJ8	RAX235	.	1	
RX4505	WHEEL SPANNER - HUB NUT	BN1.228012-BJ8	.	.	1	
RX4530	HALF SHAFT - UPRATED	BN1.221536-BJ8	COM260	.	2	





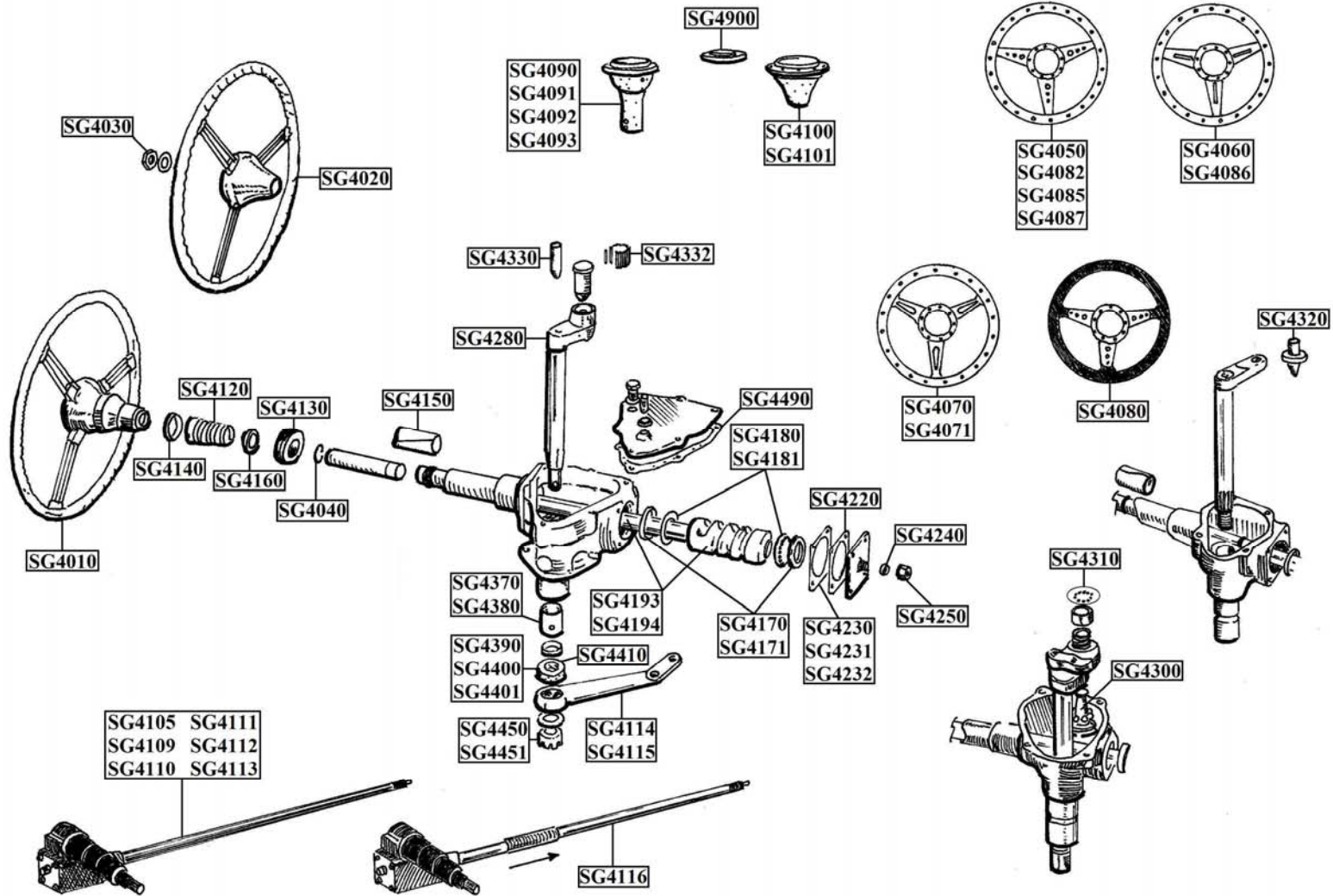
PART	DESCRIPTION	APP	AF	ALT	QPV	
ST4010	BASE - SEAT (WOOD) RH	BN1-BN4	SET101	856-210	1	
ST4011	BASE - SEAT (WOOD) LH	BN1-BN4	SET102	856-220	1	
ST4020	BASE - SEAT (METAL) RH	BN6-BJ8	SET103	856-240	1	
ST4021	BASE - SEAT (METAL) LH	BN6-BJ8	SET104	856-230	1	
ST4030	LOCATING FRAME - BASE (RH)	BN1-BN4	SET110	856-260	1	
ST4031	LOCATING FRAME - BASE (LH)	BN1-BN4	SET111	856-250	1	
ST4040	LOCATING FRAME - BASE (RH)	BN6-BJ8	SET112	856-280	1	
ST4041	LOCATING FRAME - BASE (LH)	BN6-BJ8	SET113	856-270	1	
ST4050	PACKING PIECE - SEAT RUNNER	AR	SET116	856-370	4	
ST4060	SEAT SLIDE - PER SEAT (RH) ORIG. TYPE	BN1-BJ8	SET118	856-380	1	
ST4061	SEAT SLIDE - PER SEAT (LH) ORIG. TYPE	BN1-BJ8	SET119	856-390	1	
ST4070	TUBE NUT - SEAT SLIDE	BN1-BJ8	SET124	031-329	12	
ST4080	SQUAB - FRONT SEAT (METAL)	BN1-BN4	SET129	856-190	2	
ST4081	SQUAB - FRONT SEAT (METAL)	BN6-BJ8	SET130	856-200	2	
ST4090	DOME NUT - CHROME (SQUAB TO FRAME)	BN1-BJ8	SET134	402-550	4	
ST4100	PAN - REAR SEAT	BN4,BT7,BJ7&BJ8	SET140	856-160	2	
ST4110	TACK PANELS - SEAT BACK (PER SEAT)	BN1-BN4	SET141	856-358	2	





PART	DESCRIPTION	APP	AF	ALT	QPV	
SD4010	SIDESCREENS PAIR - BLACK	BN1-BN2	SID101	259-108	1	
SD4011	SIDESCREENS PAIR - BLUE	BN1-BN2	SID102	259-118	1	
SD4012	SIDESCREENS PAIR - RED	BN1-BN2	SID103	259-138	1	
SD4020	SIDESCREENS BAG - BLACK	BN1-BN2	SID103A	248-930	1	
SD4021	SIDESCREENS BAG - BLACK	BN4-BT7	SID104A	248-940	1	
SD4030	SIDESCREENS - PR	BN4-BT7	SID104	259-208	1	
SD4040	PERSPEX - SIDESCREENS (CAR SET)	BN4	SID104D	.	1	
SD4041	PERSPEX - SIDESCREENS (CAR SET)	BN4-BT7	SID105	.	1	
SD4050	FELT - SIDESCREEN	BN4-BT7	SID106	.	2	
SD4060	SEAL - SIDESCREEN SURROUND (PR)	BN4-BT7	SID107	021-774	1	
SD4070	SOCKET - SIDESCREEN FITTING	BN1-BN2	SID110	805-170	4	
SD4080	WOOD BLOCK - SIDESCREEN SOCKETS (PR)	BN1-BN2	SID111	805-168	1	
SD4090	SOCKET ASSY - SIDESCREEN FITTING	BN4-BT7	SID112	805-120	2	
SD4100	BRACKET SET - SIDESCREEN FITTING	BN4-BT7	SID114	.	1	
SD4110	PLATE - SIDESCREEN FIXING	BN4-BN4.68959	SID115	405-300	2	
SD4111	PLATE - SIDESCREEN FIXING	BN4.68960-BT7	SID116	805-100	2	
SD4120	WING NUT - SIDESCREEN FIXING	BN4-BN4.68959	SID116A	805-145	4	
SD4130	WING NUT - SIDESCREEN FIXING	BN4.68960-BT7	SID117	805-110	4	
SD4140	DOVE NUT - SIDESCREEN BRACKETS	BN4-BT7	SID118	.	8	
SD4150	BRACKETS - FRONT (SIDESCREENS) PR	BN4-BT7	SID119	.	1	
SD4170	FIXING KIT - BRACKETS (CAR SET)	BN4-BT7	SID122	.	1	

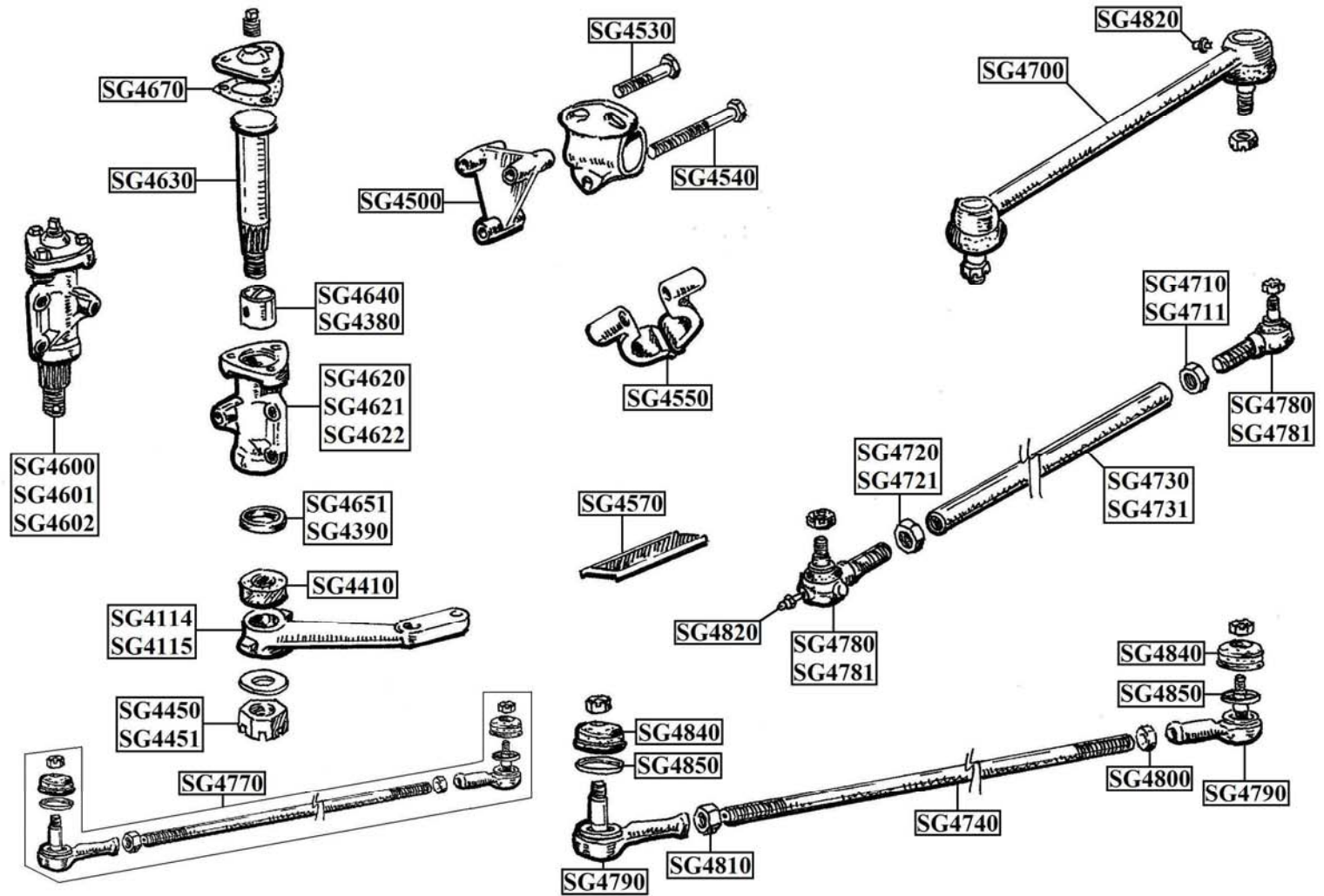




PART	DESCRIPTION	APP	AF	ALT	QPV	
SG4010	STEERING WHEEL - ADJ. (ORIG. TYPE)	BN1-BJ8	STG101	853-790	1	
SG4020	STEERING WHEEL - NON ADJ. (ORIG. TYPE)	BN1-BJ8	STG102	853-800	1	
SG4030	NUT - WHEEL RETAINING (NON ADJ.)	BN1-BJ8	STG103	310-385	1	
SG4040	CIRCLIP - WHEEL RETAINING (ADJ.)	BN1-BJ8	STG104	326-095	1	
SG4050	STEERING WHEEL - MOTO-LITA (15") WOOD/DRILLED	BN1-BJ8	STG105	454-190	1	
SG4060	STEERING WHEEL - MOTO-LITA (15") WOOD/SLOT	BN1-BJ8	STG106	905-760	1	
SG4070	STEERING WHEEL - MOTO-LITA (15") CLASSIC LAMINATE	BN1-BJ8	STG106A	.	1	
SG4071	STEERING WHEEL - MOHOGANY (DERRINGTON STYLE)	BN1-BJ8	STG106D	.	1	
SG4080	STEERING WHEEL - MOTOL-LITA (15") LEATHER/DRILLED	BN1-BJ8	STG107	.	1	
SG4082	STEERING WHEEL - TOURIST TROPHY (14") DRILLED	BN1-BJ8	.	.	1	
SG4085	STEERING WHEEL - TOURIST TROPHY (15") DRILLED	BN1-BJ8	.	.	1	
SG4086	STEERING WHEEL - TOURIST TROPHY (15") SLOTTED	BN1-BJ8	.	.	1	
SG4087	STEERING WHEEL - TOURIST TROPHY (15") TEEK	BN1-BJ8	.	.	1	
SG4090	BOSS - ADJUSTABLE (MOTO-LITA WHEEL ONLY)	BN1-BJ8	STG108	454-297	1	
SG4091	BOSS - ADJUSTABLE (COLLAR TYPE)	BN1-BJ8	STG108A	.	1	
SG4092	BOSS - ADJUSTABLE (WITH COLLAR)	BN1-BJ8	STG108P	.	1	
SG4093	BOSS - ADJUSTABLE (MOTO-LITA) POLISHED	BN1-BJ8	.	.	1	
SG4100	BOSS - NON ADJUSTABLE (MOTO-LITA WHEEL ONLY)	BN1-BJ8	STG109	454-347	1	
SG4101	BOSS - NON ADJUSTABLE (MOTO-LITA) POLISHED	BN1-BJ8	.	.	1	
SG4105	STEERING BOX - LHD (USED)	BN1- BN2.230977	.	.	1	
SG4109	STEERING BOX - NON ADJ.(LHD) OUTRIGHT	BN4.68960- BJ8	.	.	1	
SG4111	STEERING BOX - ADJ. (RHD) NEW (OUTRIGHT)	BN4.68960- BJ8	STG111	.	1	
SG4113	STEERING BOX - ADJ. (LHD) NEW (OUTRIGHT)	BN4.68960- BJ8	STG114	.	1	
SG4114	STEERING ARM - RHD (NEW) (LHD IDLER)	BN4-BJ8	STG300	.	1	
SG4115	STEERING ARM - LHD (NEW) (RHD IDLER)	BN4-BJ8	.	.	1	
SG4116	COLLAPSABLE STEERING COLUMN CONVERSION - EXCHANGE	BN1-BJ8	.	.	1	
SG4118	STEERING BOX LUBE - PENRITE (1/2 LITRE)	BN1-BJ8	.	.	1	
SG4120	SPRING COVER - POLISHED (ADJ. ONLY)	BN1-BJ8	STG115	260-130	1	
SG4130	GROMMET - DASH (STEERING COLUMN)	BN1-BJ8	STG116	682-215	1 OR 2	
SG4140	COLLAR - DUST SPRING (UPPER)	BN1-BJ8	STG117	667-670	1	
SG4150	FELT BUSH - STEERING COLUMN	BN2-BJ8	STG118	667-655	1	

PART	DESCRIPTION	APP	AF	ALT	QPV	
SG4160	SPRING SUPPORT - LOWER (ADJ.)	BN1-BJ8	STG119	667-660	1	
SG4170	BALL CUP - STEERING COLUMN	BN1-BN2.230977	STG119A	667-645	2	
SG4171	BALL CUP - STEERING COLUMN	BN2.230978-BJ8	STG120	667-630	2	
SG4180	BALL BEARING SET - STEERING COLUMN	BN1-BN2.230977	STG120A	329-600	1	
SG4181	BALL RACE - STEERING COLUMN	BN2.230978-BJ8	STG121	031-264	2	
SG4192	INNER COLUMN & WORM - RHD (ADJ.) STD RATIO	BN4.68960-BJ8	CSTG301	.	1	
SG4193	INNER COLUMN & WORM - RHD (ADJ.) HIGH RATIO	BN4.68960-BJ8	CSTG3018H	.	1	
SG4194	INNER COLUMN & WORM - LHD (N/ADJ.) STD RATIO	BN4.68960-BJ8	CSTG302	.	1	
SG4196	INNER COLUMN & WORM - LHD (ADJ.) STD RATIO	BN4.68960-BJ8	CSTG303	.	1	
SG4220	GASKET - END COVER	BN2.230978-BJ8	STG125	697-160	1	
SG4230	SHIM - END COVER (0.002"-0.0025")	BN2.230978-BJ8	STG126	260-040	As Req	
SG4231	SHIM - END COVER (0.005")	BN2.230978-BJ8	STG127	260-050	As Req	
SG4232	SHIM - END COVER (0.010")	BN2.230978-BJ8	STG128	.	As Req	
SG4240	OLIVE - STATOR TUBE	BN1-BJ8	STG130	667-055	1	
SG4250	TUBE NUT - STATOR TUBE	BN1-BJ8	STG131	667-065	1	
SG4260	STATOR TUBE - ADJUSTABLE	BN4-BJ8	STG132	021-247	1	
SG4270	STATOR TUBE & PLATE - NON ADJUSTABLE	BN1.149950-BJ8	STG133	021-240	1	
SG4280	ROCKER SHAFT ASSEMBLY - STEERING	BN4.68960-BJ8	STG135	667-685	1	
SG4300	PEG - STEERING BOX	BN1-BN2.230977	STG137	667-035 329-	1	
SG4310	BALL BEARINGS - PEG	BN1-BN2.230977	STG138	540/580	1	
SG4320	PEG - ROCKER SHAFT	BN2.230978- BN4.68959	STG139	667-620	1	
SG4330	PEG - ROCKER SHAFT	BN4.68960-BJ8	STG140	031-262	1	
SG4331	PEG - ROCKER SHAFT (UPRATED)	BN4.68960-BJ8	.	.	1	
SG4332	NEEDLE ROLLER - PEG	BN4.68960-BJ8	STG140A	.	17	
SG4370	BUSH - STEERING BOX	BN1-BN2.230977	STG145	667-680	1	
SG4380	BUSH - STEERING BOX & IDLER	BN2.230978-BJ8	STG146	031-267	1 OR 2	
SG4390	OIL SEAL - STEERING BOX & IDLER	BN1-BN2.230977	STG147	520-040	1	
SG4400	OIL SEAL - STEERING BOX	BN2.230978-BJ8	STG148	520-260	1	
SG4401	OIL SEAL - STEERING BOX (LARGE SEAL CONVERSION)	BN1-BJ8	.	.	1	
SG4410	DUST SEAL - STEERING BOX & IDLER	BN2.230978-BJ8	STG149	520-250	1	
SG4450	NUT - ROCKER SHAFT & IDLER SHAFT (RHD)	BN1-BN2.230977	STG153	.	1	

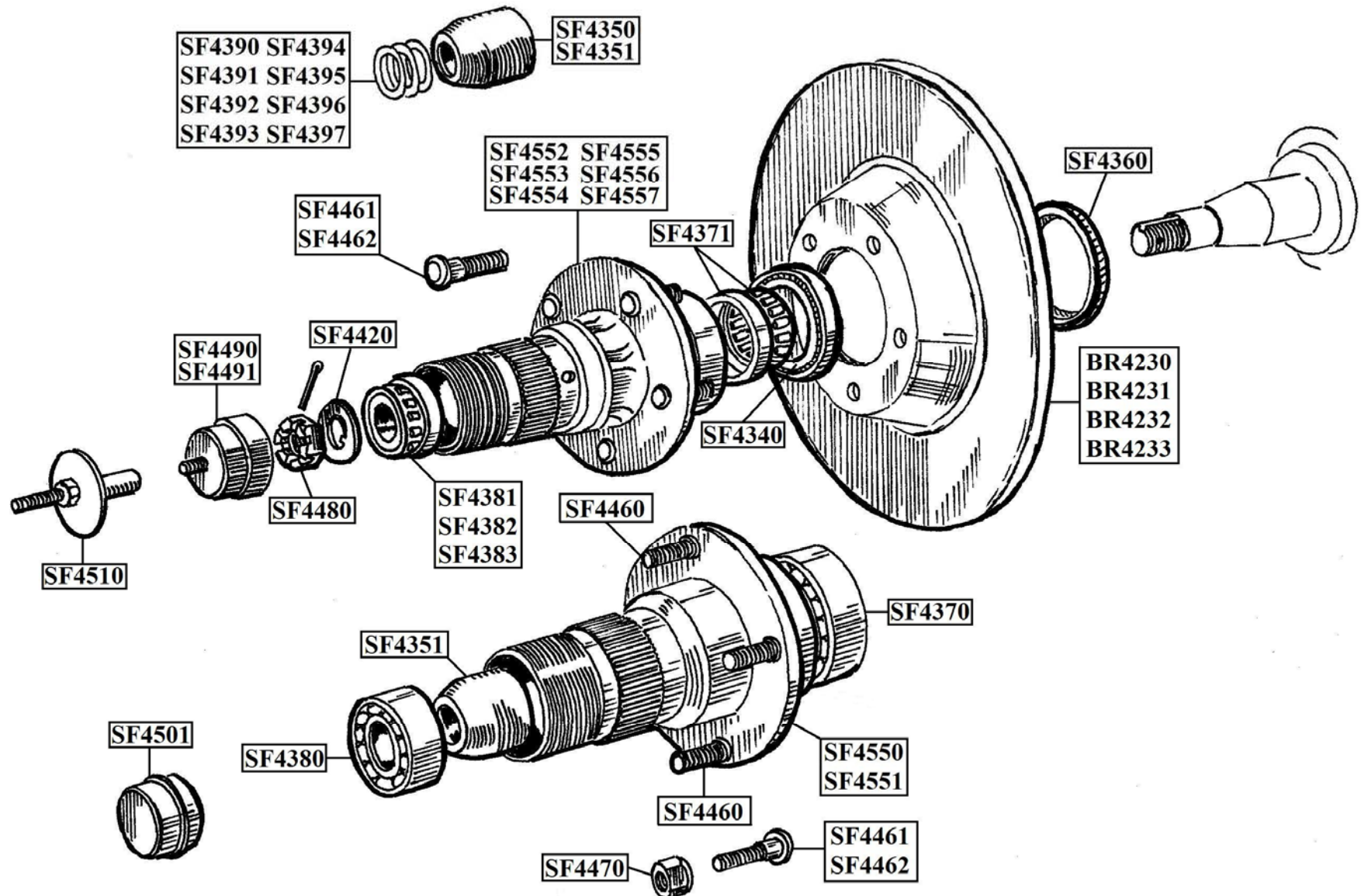




PART	DESCRIPTION	APP	AF	ALT	QPV	
SG4451	NUT - ROCKER & IDLER SHAFT	BN2.230978-BJ8	STG154	725-110	1	
SG4490	GASKET - STEERING BOX COVER	BN4.68959-BJ8	STG158	697-420	1	
SG4500	SPACER BRACKET - STEERING BOX & IDLER	BN1-BJ8	STG160	667-790	2	
SG4530	BOLT - STEERING BOX FIXING (SHORT)	BN1-BJ8	STG164	320-315	2	
SG4540	BOLT - STEERING BOX FIXING (LONG)	BN1-BJ8	STG165	.	1	
SG4550	CLAMP - STEERING COLUMN (PR)	BN1-BJ8	STG166	667-825	1	
SG4570	RUBBER STRIP - COLUMN CLAMP	BN1-BJ8	STG168	667-795	1	
SG4600	STEERING IDLER - COMPLETE (RHD)	BN1-BN2.230977	STG198	.	1	
SG4601	STEERING IDLER - COMPLETE (RHD)	BN2.230978-BJ8	STG200	.	1	
SG4602	STEERING IDLER - COMPLETE (LHD)	BN2.230978-BJ8	STG201	667-565	1	
SG4620	IDLER BODY - RHD	BN1-BN2.230977	STG202	.	1	
SG4621	IDLER BODY - RHD	BN2.230978-BJ8	STG203	.	1	
SG4622	IDLER BODY - LHD	BN2.230978-BJ8	STG204	.	1	
SG4630	SHAFT - IDLER BOX	BN2.230978-BJ8	STG205	667-700	1	
SG4640	BUSH - IDLER	BN1-BN2.230977	STG206	667-000	2	
SG4651	OIL SEAL - IDLER	BN2.230978-BJ8	STG209	520-240	1	
SG4670	GASKET - IDLER LID	BN1-BJ8	STG211	697-430	1	
SG4700	SIDE ROD	BN1-BJ8	STG215	667-550	2	
SG4710	LOCKNUT - RH	BN1-BN2.228931	STG215A	.	1	
SG4711	LOCKNUT - RH	BN2.228932-BJ7.19190	STG216	310-810	1	
SG4720	LOCKNUT - LH	BN1-BN2.228931	STG215B	.	1	
SG4721	LOCKNUT - LH	BN2.228932-BJ7.19190	STG217	310-185	1	
SG4730	CENTRE ROD	BN1-BN2.228931	STG218	.	1	
SG4731	CENTRE ROD	BN2.228932-BJ7.19190	STG219	.	1	
SG4740	CENTRE ROD	BJ7.19191-BJ8	STG220	.	1	
SG4770	CENTRE ROD ASSY. COMPLETE	BJ7.19191-BJ8	STG224	667-735	1	
SG4780	TRACK ROD ENDS (PR) - CENTRE ROD	BN1-BN2.228931	STG225	021-181	1	
SG4781	TRACK ROD ENDS (PR) - CENTRE ROD	BN2.228932-BJ7.19190	STG226	667-580	1	
SG4790	TRACK ROD ENDS (PR) - CENTRE ROD	BJ7.19191-BJ8	STG227	021-182	1	
SG4800	LOCKNUT - RH	BJ7.19191-BJ8	STG228	310-490	1	
SG4810	LOCKNUT - LH	BJ7.19191-BJ8	STG229	310-495	1	

PART	DESCRIPTION	APP	AF	ALT	QPV	
SG4820	GREASE NIPPLE - TRACK ROD END	BN1-BJ7.19190	STG230	328-610	6	
SG4840	RUBBER GAITER - TRACK ROD END	BN1-BJ8	STG232	262-220	6	
SG4850	CLIP RETAINING - RUBBER GAITER	BN1-BJ8	STG233	262-210	6	
SG4900	HORN BUTTON - MOTO-LITA HUB ONLY	REPL. FOR ORIG.	STG240	.	1	

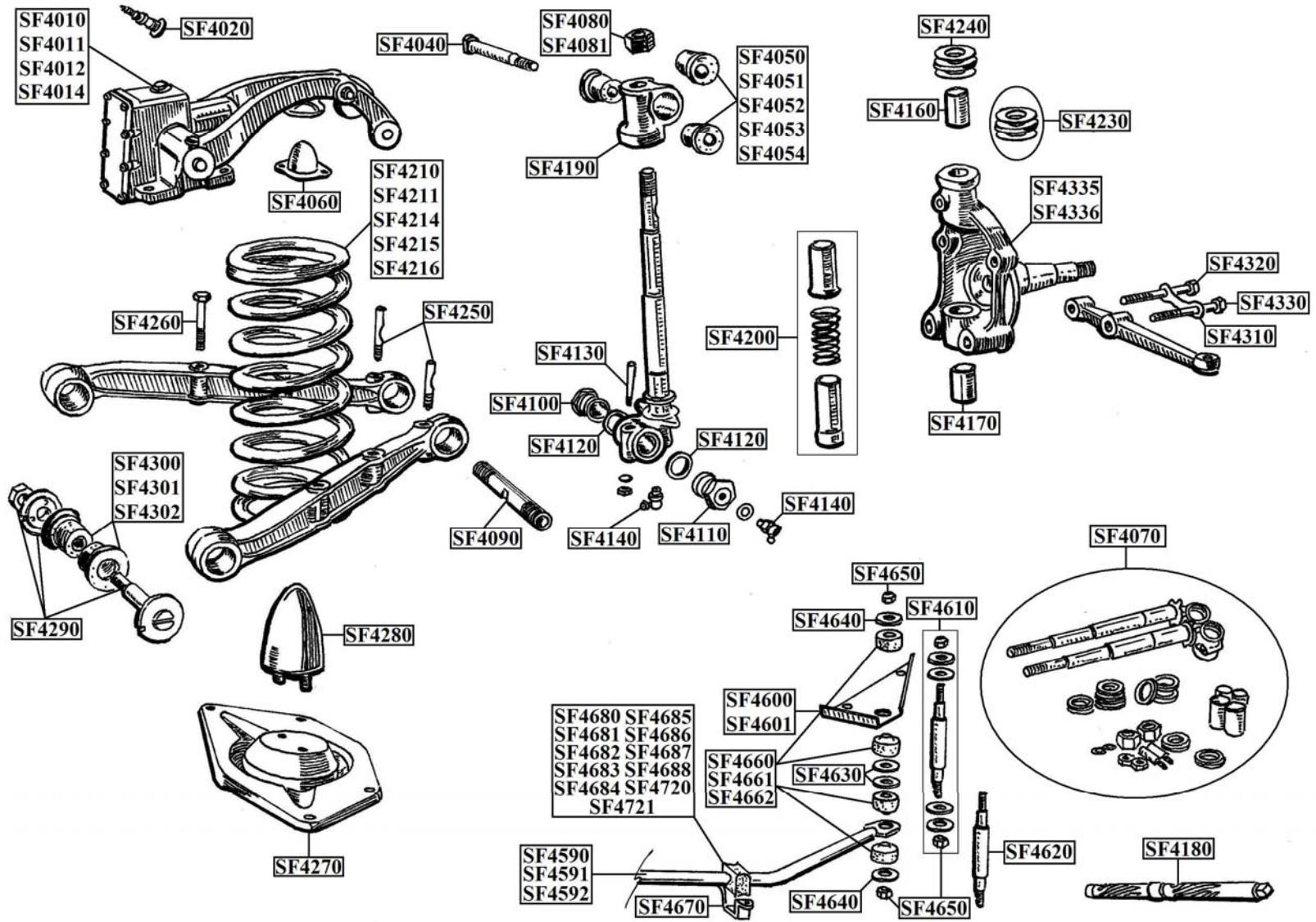




PART	DESCRIPTION	APP	AF	ALT	QPV	
SF4010	SHOCK ABSORBER - FRONT	BN1-BJ8	SUF101	655-066	2	
SF4011	SHOCK ABSORBER - FRONT (RECON.)	BN1-BJ8	SUF101R	655-055	2	
SF4012	SHOCK ABSORBER - FRONT (UPRATED)	BN1-BJ8	SUF101UR		2	
SF4013	MTG. PLATES - FT. SHOCK ABSORBERS (ADJ.) PR	BN1-BJ8	COM178		1	
SF4015	FRONT SUSPENSION KIT - TELESCOPIC	BN1-BJ8	COM202		1	
SF4020	VALVE - SHOCK ABSORBER (UPRATED)	BN1-BJ8	SUF102	655-060	2	
SF4040	TRUNION PIN AND NUT	BN1-BJ8	SUF104	263-440	2	
SF4050	RUBBER BUSH - TOP TRUNNION	BN1-BJ8	SUF105	282-310	4	
SF4051	BUSH SET - TOP TRUNNION (POLYBUSH BLUE)	BN1-BJ8	SUF105P		1	
SF4052	BUSH SET - OFFSET (TOP TRUNNION)	BN1-BJ8	CSUF105		1	
SF4053	BUSH SET - TOP TRUNNION (POLYBUSH RED)	BN1-BJ8	SUF105P		1	
SF4054	RUBBER BUSH - TOP TRUNNION (POLY.) BLACK	BN1-BJ8			4	
SF4060	REBOUND RUBBER - UPPER	BN1-BJ8	SUF106	031-279	2	
SF4070	KING PIN KIT - INCL. FULCRUM PINS	BN1-BJ8	SUF107	021-188	1	
SF4075	GREASE NIPPLE - KING PIN	BN1-BJ8			2	
SF4080	NYLOC NUT - KING PIN	BN1-BJ8	SUF107A		2	
SF4081	CASTELLATED NUT - KING PIN	BN1-BJ8	SUF107B		2	
SF4090	FULCRUM PIN - LOWER	BN1-BJ8	SUF108	661-900	2	
SF4100	SCREWED CAP - REAR (PLAIN)	BN1-BJ8	SUF109	661-880	2	
SF4110	SCREWED CAP - FRONT (DRILLED)	BN1-BJ8	SUF110	661-870	2	
SF4120	CORK RING	BN1-BJ8	SUF111	031-277	4	
SF4130	COTTER PIN & NUT - KING PIN	BN1-BJ8	SUF112	661-890	2	
SF4140	GREASE NIPPLE	BN1-BJ8	SUF113	328-500	2	
SF4160	BUSH - TOP (STUB AXLE) PHOS. BRONZE	BN1-BJ8	SUF115	021-184	2	
SF4170	BUSH - BOTTOM (STUB AXLE) PHOS. BRONZE	BN1-BJ8	SUF116	021-185	2	
SF4180	REAMER - KING PIN	BN1-BJ8	SUF117	386-375	1	
SF4190	TOP TRUNNION	BN1-BJ8	SUF118	031-274	2	
SF4200	DUST EXCLUDER KIT - KING PIN	BN1-BJ7.21766	SUF120	661-940	2	
SF4210	FRONT SPRING	BN1-BN2	SUF122	661-910	2	
SF4211	FRONT SPRING	BN4-BJ8	SUF123	661-920	2	
SF4214	FRONT SPRING - 412lbs (UPRATED)	BN1-BN2	CSUF122		2	

PART	DESCRIPTION	APP	AF	ALT	QPV	
SF4215	FRONT SPRING - 600lb (COMPETITION)	BN4-BJ8	CSUF123		2	
SF4216	FRONT SPRING - 800lb (COMPETITION)	BN4-BJ8	CSUF123/800		2	
SF4230	BEARING KIT - TOP TRUNNION (PR)	BN1-BJ8	SUF125		2	
SF4240	SHIM - TRUNNION BEARING (0.004")	BN1-BJ8	SUF126		6	
SF4250	COTTER PIN - LINK (FULCRUM PIN)	BN1-BJ8	SUF128	661-850	4	
SF4260	BOLT - WISHBONE ARM TO SPRINGPAN	BN2-BJ8	SUF129	320-575	8	
SF4263	FASTENER KIT - FRONT SUSPENSION (BSF)	BN1			As Req	
SF4265	FASTENER KIT - FRONT SUSPENSION (UNF)	BN2-BJ8			As Req	
SF4270	SPRING PAN	BN1-BJ8	SUF130	662-070	2	
SF4280	BUMPER RUBBER - LOWER	BN1-BJ8	SUF131	661-820	2	
SF4290	PIN ASSY. - INNER WISHBONE (COMPLETE)	BN1-BJ8	SUF132	661-860	4	
SF4300	BUSH - INNER WISHBONE	BN1-BJ8	SUF133	021-187	8	
SF4301	BUSH SET - INNER WISHBONE (POLYBUSH BLUE)	BN1-BJ8	SUF133P	661-930	1	
SF4302	BUSH SET - INNER WISHBONE (POLYBUSH RED)	BN1-BJ8	SUF133P	266-580	1	
SF4310	LOCKWASHER - STEERING ARM BOLT	BN2-BJ8.26704	SUF134	320-350	2	
SF4320	BOLT - SHORT (STEERING LEVER)	BT7-BJ8.26704	SUF135	031-387	2	
SF4330	BOLT - LONG (STEERING LEVER)	BT7-BJ8.26704	SUF136	031-389	2	
SF4335	STUB AXLE - RH (USED)	BJ8.26705 ON			1	
SF4336	STUB AXLE - LH (USED)	BJ8.26705 ON			1	
SF4340	SPACER - SWIVEL AXLE	BJ8.26705 ON	SUF138	264-620	2	
SF4350	SPACER - WHEEL BEARING	BN2-BJ8.26704	SUF140	535-055	2	
SF4351	SPACER - WHEEL BEARING	BJ8.26705 ON	SUF141	866-630	2	
SF4360	OIL SEAL - FRONT HUB	BN1-BJ8	SUF142	126-000	2	
SF4370	WHEEL BEARING - FRONT (INNER)	BN1	SUF143	620-614	2	
SF4371	WHEEL BEARING - FRONT (INNER)	BN2-BJ8	SUF144	620-234	2	
SF4380	WHEEL BEARING - FRONT (OUTER)	BN1	SUF147	126-100	2	
SF4381	WHEEL BEARING - FRONT (OUTER)	BN2-BJ8.26704	SUF148	021-200	2	
SF4382	WHEEL BEARING - FRONT (OUTER)	BJ8.26705 ON	SUF149	236-145	2	
SF4383	WHEEL BEARING - FRONT (OUTER) STEEL WHEEL	BN4-BN6	SUF150	263-155	2	
SF4390	SHIM - WHEEL BEARING (.003")	BN2-BJ8.26704	SUF151	263-165	As Req	
SF4391	SHIM - WHEEL BEARING (.005")	BN2-BJ8.26704	SUF152	263-175	As Req	

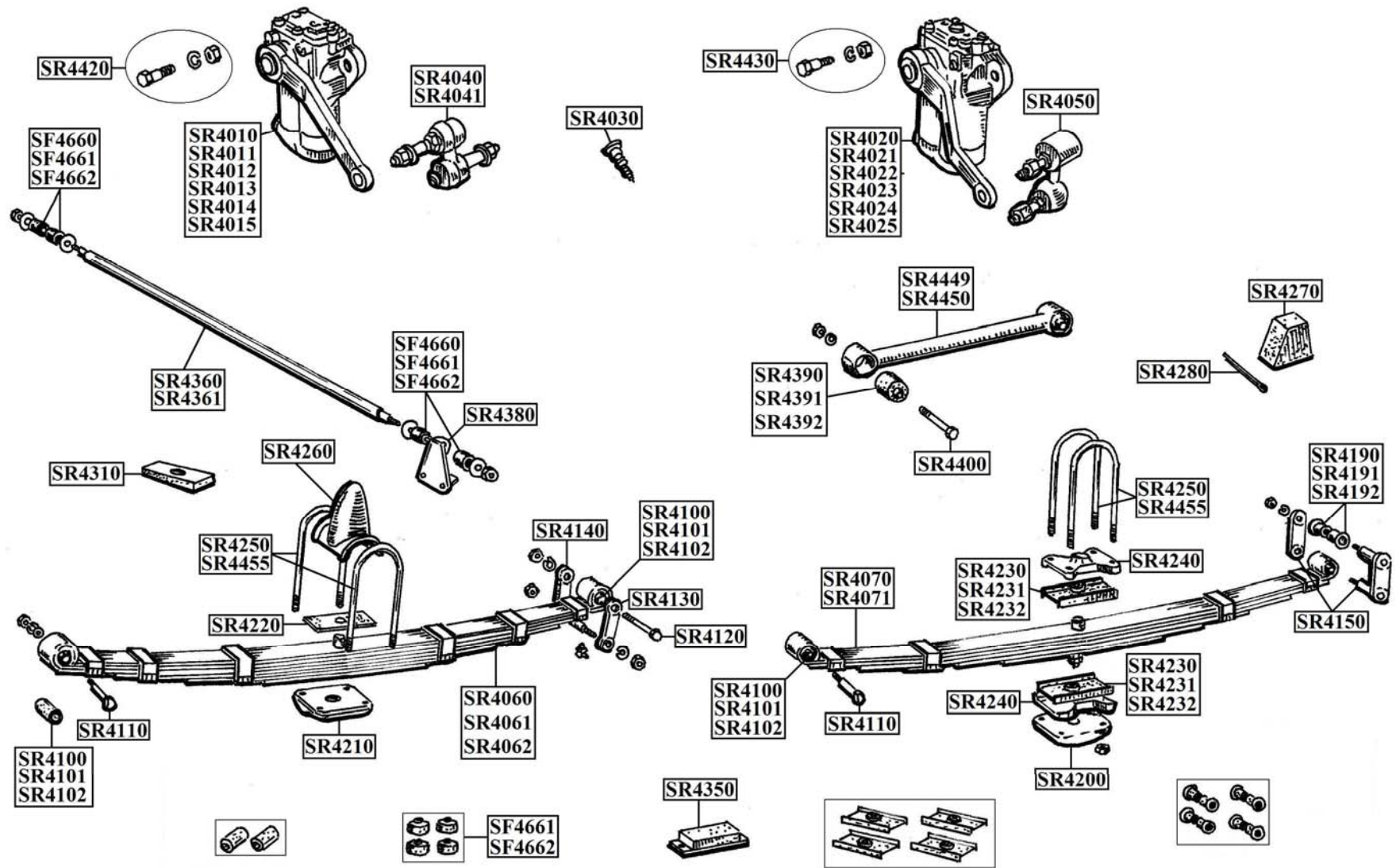




PART	DESCRIPTION	APP	AF	ALT	QPV	
SF4392	SHIM - WHEEL BEARING (.010")	BN2-BJ8.26704	SUF153	263-500	As Req	
SF4393	SHIM - WHEEL BEARING (.032")	BN2-BJ8.26704	SUF154	236-510	As Req	
SF4394	SHIM - WHEEL BEARING (.003")	BJ8.26705 ON	SUF155	263-520	As Req	
SF4395	SHIM - WHEEL BEARING (.005")	BJ8.26705 ON	SUF156	263-525	As Req	
SF4396	SHIM - WHEEL BEARING (.010")	BJ8.26705 ON	SUF157	.	As Req	
SF4397	SHIM - WHEEL BEARING (.030")	BJ8.26705 ON	SUF158	264-955	As Req	
SF4420	WASHER - FRONT HUB	BN1-BJ8	SUF162	.	2	
SF4460	STUD - HUB TO BRAKE DRUM	BN1	SUF165	662-020	8	
SF4461	STUD - HUB TO BRAKE DRUM (WIRE WHEELS)	BN2-BN6	SUF166	.	8	
SF4462	STUD - HUB TO BRAKE DISC	BN7&BT7-BJ8	SUF167	310-820	10	
SF4470	NUT - FRONT HUB STUD	BN1-BN1.228046	SUF168	662-060	8	
SF4472	LOWERING KIT - FRONT SUSPENSION	BN1-BJ8	CSUF250	.	1	
SF4473	BUMP STOP KIT	BN1-BJ8	CSUF131S	.	1	
SF4480	NUT - FRONT HUB RETAINING	BN1.221404-BJ8	SUF169	662-030	2	
SF4490	GREASE CAP - WIRE WHEEL	BN1-BJ8.26704	SUF170	264-120	2	
SF4491	GREASE CAP - WIRE WHEEL	BJ8.26705 ON	SUF171	.	2	
SF4501	GREASE CAP - STEEL WHEEL	BN7&BT7-BJ8	SUF172	662-100	2	
SF4510	EXTRACTOR TOOL - GREASE CAP (WIRE WHEEL)	BN1-BJ8	SUF174	662-110	1	
SF4550	HUB - FRONT (WIRE WHEEL) RH	BN1	SUF180	661-960	1	
SF4551	HUB - FRONT (WIRE WHEEL) LH	BN1	SUF181	661-970	1	
SF4552	HUB - FRONT (WIRE WHEEL) RH	BN2-BN6	SUF182	661-980	1	
SF4553	HUB - FRONT (WIRE WHEEL) LH	BN2-BN6	SUF183	031-269	1	
SF4554	HUB - FRONT (WIRE WHEEL) RH	BN7&BT7-BJ8.26704	SUF184	661-990	1	
SF4555	HUB - FRONT (WIRE WHEEL) LH	BN7&BT7-BJ8.26704	SUF185	662-000	1	
SF4556	HUB - FRONT (WIRE WHEEL) RH	BJ8.26705 ON	SUF186	031-281	1	
SF4557	HUB - FRONT (WIRE WHEEL) LH	BJ8.26705 ON	SUF187	.	1	
SF4590	ANTI ROLL BAR - 5/8"	BN4-BJ8	SUF191	.	1	
SF4591	ANTI ROLL BAR - 3/4" (UPRATED)	BN4-BJ8	SUF192	662-040	1	
SF4592	ANTI ROLL BAR KIT - 7/8" (UPRATED)	BN1-BJ8	SUF192K	662-050	1	
SF4593	ANTI ROLL BAR KIT - 7/8" (RALLY)	BN1-BJ8	CSUF192S	.	1	
SF4595	FITTING KIT - ANTI ROLL BAR (7/8")	BN1-BJ8	CSUF192F	.	1	

PART	DESCRIPTION	APP	AF	ALT	QPV	
SF4600	MOUNTING BRACKET - A.R.B. (RH)	BN1-BJ8	SUF193	661-810	1	
SF4601	MOUNTING BRACKET - A.R.B. (LH)	BN1-BJ8	SUF194	.	1	
SF4610	LINK ASSY. - INCL. NUTS & WASHERS	BN1-BJ8	SUF195	.	2	
SF4620	LINK - A.R.B.	BN1-BJ8	SUF196	.	2	
SF4630	LARGE WASHER - A.R.B. LINK	BN1-BJ8	SUF197	.	4	
SF4640	SMALL WASHER - A.R.B. LINK	BN1-BJ8	SUF198	021-469	4	
SF4650	LOCK NUT - A.R.B. LINK	BN1-BJ8	SUF199	263-430	4	
SF4660	RUBBER BUSH - A.R.B. LINK	BN1-BJ8	SUF200	682-140	8	
SF4661	BUSH SET - A.R.B. LINK (POLYBUSH BLUE) PER SIDE	BN1-BJ8	SUF200P	.	2	
SF4662	BUSH SET - A.R.B. LINK (POLYBUSH RED) PER SIDE	BN1-BJ8	SUF200P	.	2	
SF4670	STRAP BRACKET	BN1-BJ8	SUF201	021-767	2	
SF4680	RUBBER BUSH - STRAP BRACKET	BN1-BN2	SUF202	280-915	2	
SF4681	RUBBER BUSH - STRAP BRACKET	BN4-BJ8	SUF203	.	2	
SF4682	RUBBER BUSH - STRAP BRACKET (3/4") UPRATED	BN4-BJ8	SUF204	.	2	
SF4683	BUSH SET - STRAP BRACKET (POLYBUSH BLUE) 5/8"	BN1-BJ8	.	.	1	
SF4684	BUSH SET - STRAP BRACKET (POLYBUSH RED) 5/8"	BN1-BJ8	.	.	1	
SF4685	BUSH SET -STRAP BRACKET (POLYBUSH BLUE) 7/8"	BN1-BJ8	.	.	1	
SF4686	BUSH SET - STRAP BRACKET (POLYBUSH RED) 7/8"	BN1-BJ8	.	.	1	
SF4687	BUSH SET -STRAP BRACKET (POLYBUSH BLUE) 3/4"	BN1-BJ8	.	.	1	
SF4688	BUSH SET -STRAP BRACKET (POLYBUSH RED) 3/4"	BN1-BJ8	.	.	1	
SF4720	BUSH SET -STRAP BRACKET (POLYBUSH BLUE) 9/16"	BN1-BN2	.	.	1	
SF4721	BUSH SET -STRAP BRACKET (POLYBUSH RED) 9/16"	BN1-BN2	.	.	1	

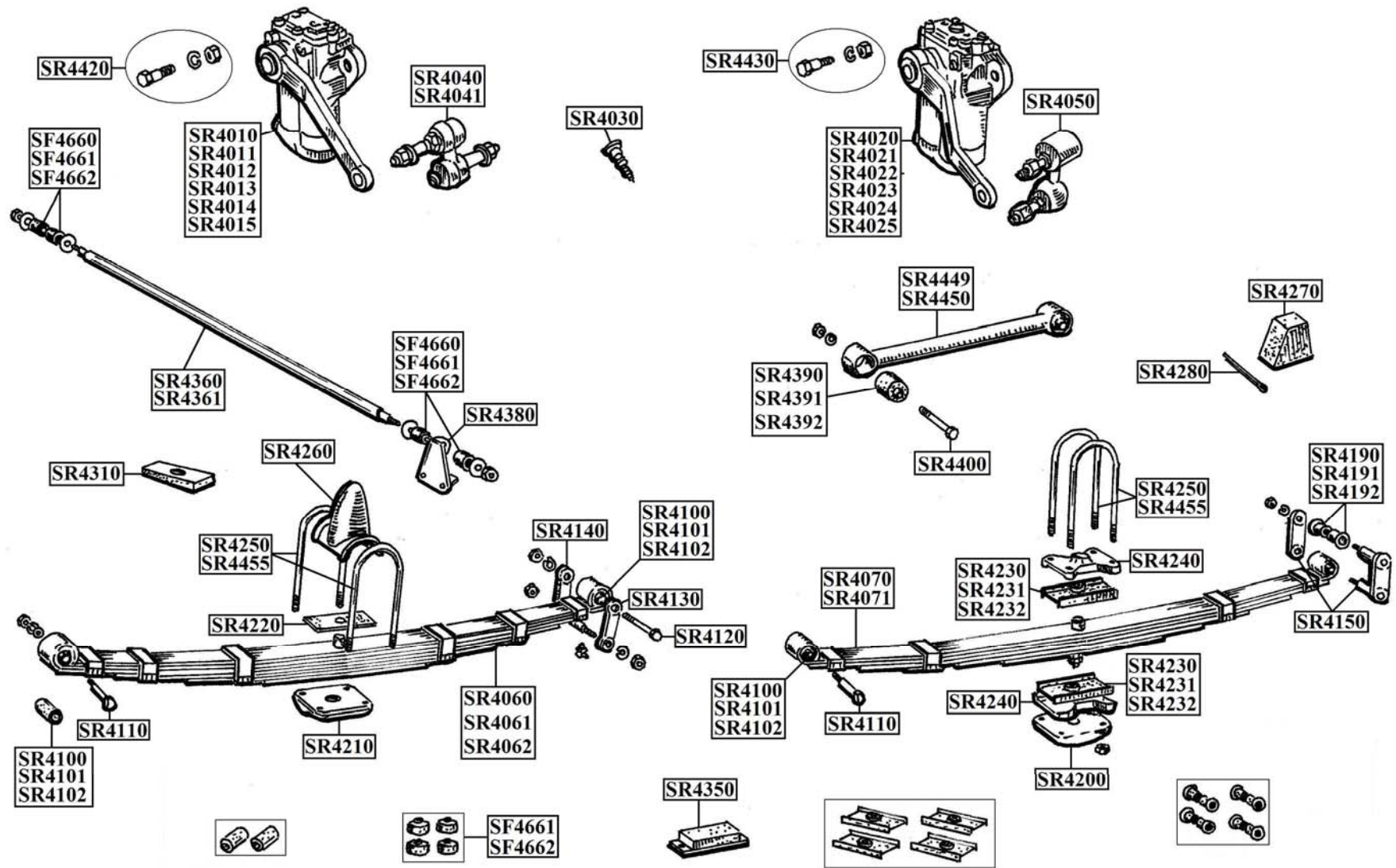




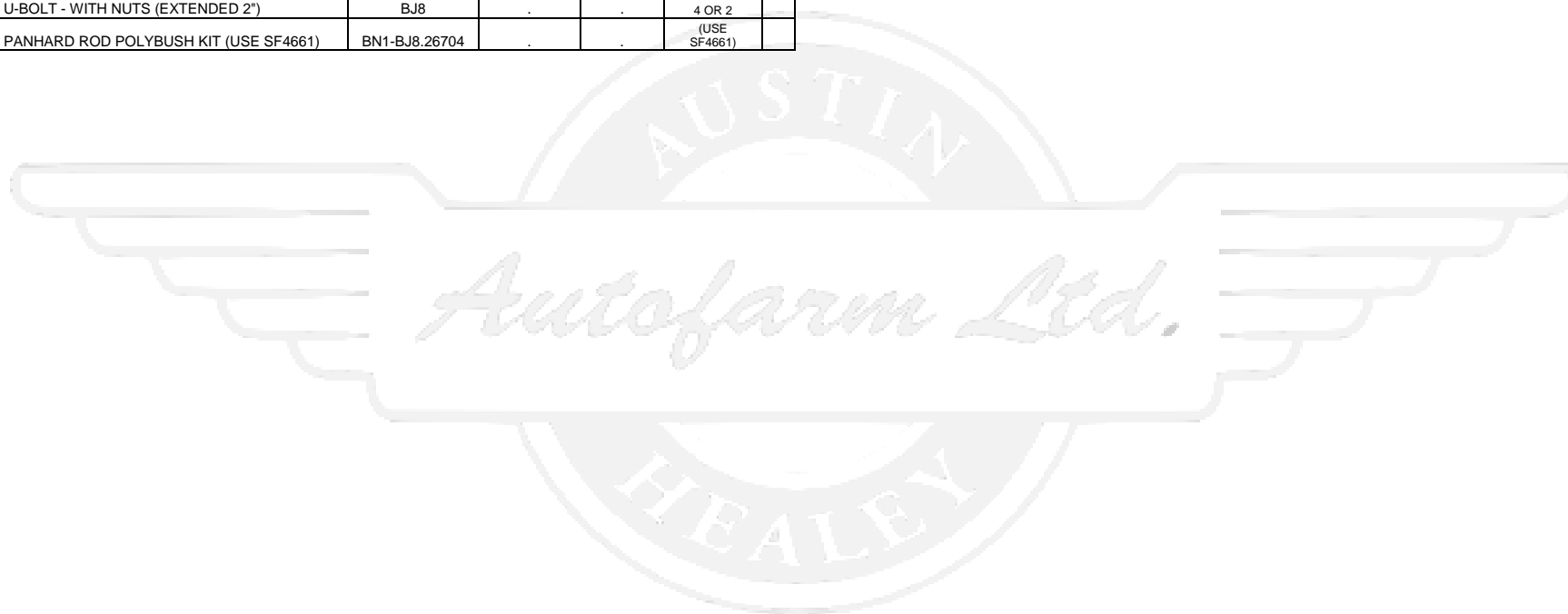
PART	DESCRIPTION	APP	AF	ALT	QPV	
SR4010	SHOCK ABSORBER - REAR(RH)	BN1-BJ8.26704	SUR101	021-216	1	
SR4011	SHOCK ABSORBER - REAR (RH) RECON./EXCH.	BN1-BJ8.26704	SUR101R	.	1	
SR4012	SHOCK ABSORBER - REAR (RH) 30% UPRATE/EXCH.	BN1-BJ8.26704	CSUR101	.	1	
SR4013	SHOCK ABSORBER - REAR (LH)	BN1-BJ8.26704	SUR102	021-215	1	
SR4014	SHOCK ABSORBER - REAR (LH) RECON./EXCH.	BN1-BJ8.26704	SUR102R	.	1	
SR4015	SHOCK ABSORBER - REAR (LH) 30% UPRATE/EXCH.	BN1-BJ8.26704	CSUR102	.	1	
SR4016	SUSPENSION KIT - REAR (TELESCOPIC)	BN1-BJ8.26704	COM204	.	1	
SR4017	SUSPENSION KIT - REAR (TELESCOPIC)	BJ8.26705 ON	COM205	.	1	
SR4018	SUSPENSION KIT - REAR (TELESCOPIC) KONI ADJ.	BN1-BJ8.26704	.	.	1	
SR4019	SUSPENSION KIT - REAR (TELESCOPIC) KONI ADJ.	BJ8.26705 ON	.	.	1	
SR4020	SHOCK ABSORBER - REAR (RH)	BJ8.26705 ON	SUR103	021-219	1	
SR4021	SHOCK ABSORBER - REAR (RH) RECON./EXCH.	BJ8.26705 ON	SUR130R	.	1	
SR4022	SHOCK ABSORBER - REAR (RH) 30% UPRATE/EXCH.	BJ8.26705 ON	CSUR103	.	1	
SR4023	SHOCK ABSORBER - REAR (LH)	BJ8.26705 ON	SUR104	021-218	1	
SR4024	SHOCK ABSORBER - REAR (LH) RECON./EXCH.	BJ8.26705 ON	SUR104R	.	1	
SR4025	SHOCK ABSORBER - REAR (LH) 30% UPRATE/EXCH.	BJ8.26705 ON	CSUR104	.	1	
SR4030	VALVE - SHOCK ABSORBER (UPRATED)	BN1-BJ8	SUR110	.	2	
SR4040	SHOCK LINK	BN1-BN1.221535	SUR114	031-398	2	
SR4041	SHOCK LINK	BN1.221536-BJ8.26704	SUR115	021-217	2	
SR4045	SHOCK LINK - ROSE JOINTED	BN1.221536-BJ8.26704	CSUR115	.	2	
SR4050	SHOCK LINK	BJ8.26705 ON	SUR116	021-220	2	
SR4060	LEAF SPRING	BN1-BN2	SUR120	021-369	2	
SR4061	LEAF SPRING (UK MADE)	BN4-BJ8.26704	SUR121	021-370	2	
SR4062	LEAF SPRING - UPRATED (8 LEAF)	BN4-BJ8.26704	SUR121C	021-370	2	
SR4065	LEAF SPRING	BN4-BJ8.26704	SUR121	021-370	2	
SR4070	LEAF SPRING (UK MADE)	BJ8.26705 ON	SUR122	021-371	2	
SR4071	COMPETITION REAR SPRING - RACE SPEC.	BN1-BJ8	CSUR121R	.	2	
SR4100	BUSHING - SPRING (INCL. IN NEW SPRING)	BN1-BJ8	SUR125	680-960	2 OR 4	
SR4101	BUSH SET - SPRING (POLYBUSH BLUE)	BN1-BJ8	SUR125P	.	1 OR 2	
SR4102	BUSH SET - SPRING (POLYBUSH RED)	BN1-BJ8	SUR125P	.	1 OR 2	
SR4110	SHACKLE PIN WITH NUT - D HEAD	BN1-BJ8	SUR126	675-470	2 OR 4	

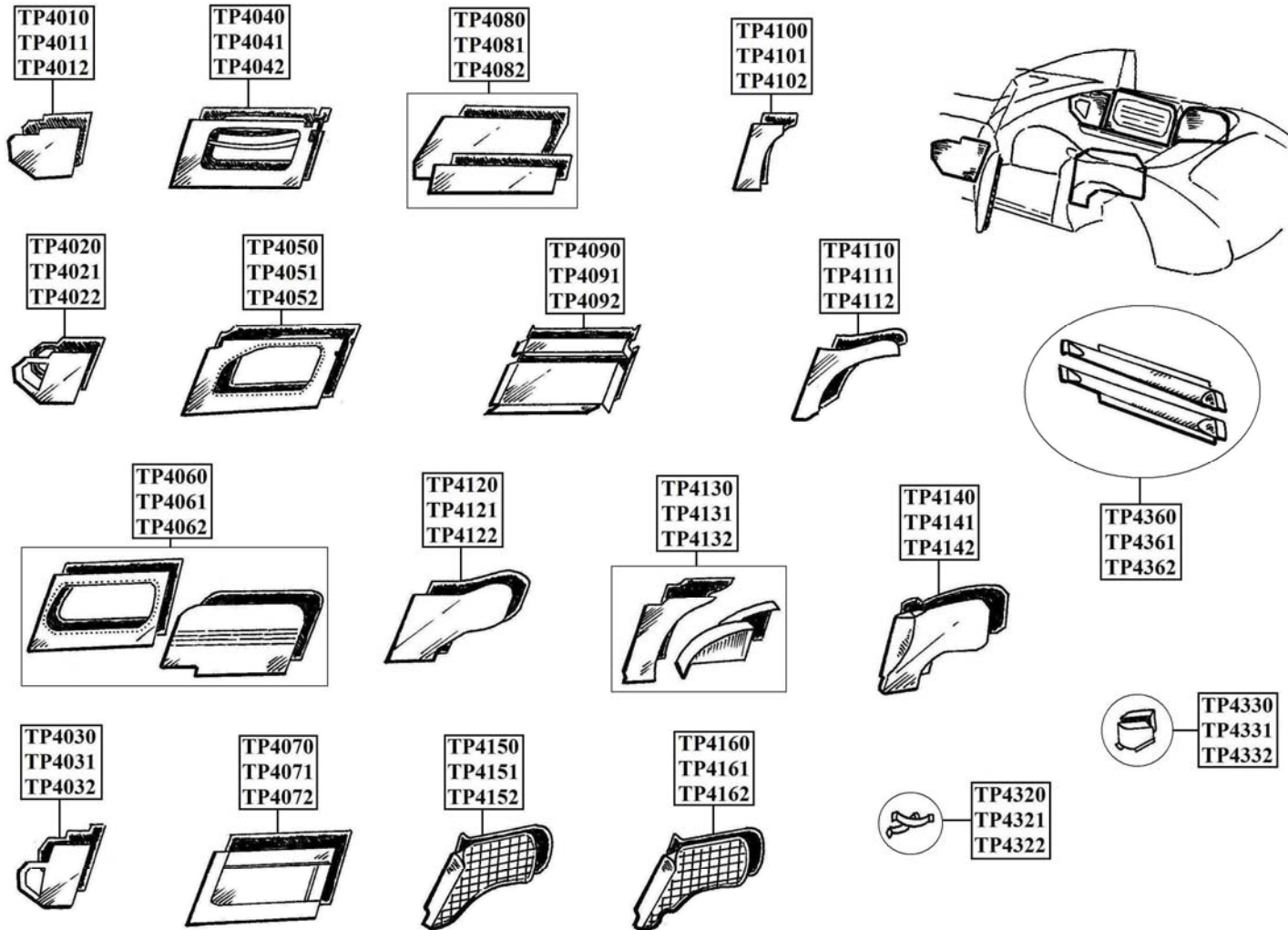
PART	DESCRIPTION	APP	AF	ALT	QPV	
SR4120	SHACKLE PIN & NUTS - REAR (LOWER)	BN1-BJ8.26704	SUR127	031-295	2	
SR4130	SHACKLE PLATE - OUTER	BN1-BJ8.26704	SUR129	675-465	2	
SR4140	SHACKLE PLATE - INNER	BN1-BJ8.26704	SUR130	675-475	2	
SR4150	SHACKLE PLATE - COMPLETE	BJ8.26705 ON	SUR131	031-401	2	
SR4180	BUSH - CHASSIS	BN1-BJ8.26704	SUR135	021-372	4	
SR4190	BUSH - CHASSIS (REAR SPRING EYE)	BJ8.26705 ON	SUR136	367-540	8	
SR4191	BUSH SET - CHASSIS (POLYBUSH BLUE)	BJ8.26705 ON	SUR136P	.	1	
SR4192	BUSH SET - CHASSIS (POLYBUSH RED)	BJ8.26705 ON	SUR136P	.	1	
SR4200	SPRING PLATE - USED	BJ8.26705 ON	.	.	2	
SR4210	SPRING PLATE	BN4-BJ8.26704	SUR138	725-165	2	
SR4220	FIBRE PACKING - SPRING PLATE	BN4-BJ8.26704	SUR139	267-580	2	
SR4230	RUBBER PAD - SEATING	BJ8.26705 ON	SUR140	267-580	4	
SR4231	PAD SET - SEATING (POLYBUSH BLUE)	BJ8.26705 ON	SUR140P	.	1	
SR4232	PAD SET - SEATING (POLYBUSH RED)	BJ8.26705 ON	SUR140P	.	1	
SR4240	LOCATING PLATE - REAR SPRING	BJ8.26705 ON	SUR141	031-400	4	
SR4250	U. BOLT - WITH NUTS	BN1.221536-BJ8	SUR142	266-585	4	
SR4251	BUMP RUBBER - ON BODY	BN1-BN1.221535	SUR144	.	2	
SR4260	BUMP RUBBER - ON AXLE	BN1.221536-BJ8.26704	SUR145	675-490	2	
SR4270	BUMP RUBBER - ON AXLE	BJ8.26705 ON	SUR146	282-220	2	
SR4280	SPLIT PIN - BUMP RUBBER FIXING	BJ8.26705 ON	SUR147	725-125	4	
SR4310	PACKING PIECE - TAPERED (USED)	BN1-BN1.221535	SUR150	.	2	
SR4350	REBOUND BUMP STOP - ON CHASSIS	BN1-BJ8	SUR160	675-510	2	
SR4360	PANHARD ROD - INCL. NUTS & WASHERS	BN1-BJ8.26704	SUR161	851-300	1	
SR4361	PANHARD ROD KIT - UP-RATED	BN1-BJ8.26704	.	.	1	
SR4365	ANTI ROLL BAR KIT - REAR	BN1-BJ8	CSUR192K	.	1	
SR4380	BRACKET - PANHARD ROD	BN1-BJ8.26704	SUR165	675-440	2	
SR4390	BUSH - RADIUS ARM	BJ8.26705 ON	SUR166	675-520	4	
SR4391	BUSH SET - RADIUS ARMS (POLYBUSH BLUE)	BJ8.26705 ON	SUR166P	.	1	
SR4392	BUSH SET - RADIUS ARMS (POLYBUSH RED)	BJ8.26705 ON	SUR166P	.	1	
SR4400	BOLT & NUT - RADIUS ARM	BJ8.26705 ON	SUR167	322-155	4	
SR4420	BOLT ASSY. - SHOCK ABSORBER MOUNTING	BN1-BJ8.26704	SUR169	662-080	4	





PART	DESCRIPTION	APP	AF	ALT	QPV	
SR4430	BOLT ASSY. - SHOCK ABSORBER MOUNTING	BJ8.26705 ON	SUR170	725-150	4	
SR4449	RADIUS ARM - W/O BUSHES	BJ8.26705 ON	SUR173	675-515	2	
SR4450	RADIUS ARM - C/W BUSHES	BJ8.26705 ON	SUR173	.	2	
SR4451	TRAMP BAR KIT	BN2-BJ7	CSUR200K	.	1	
SR4452	REAR LOWERING KIT (APPROX. 1")	BN1-BJ8	COM211	.	1	
SR4455	U-BOLT - WITH NUTS (EXTENDED 2")	BN1.221536- BJ8	.	.	4 OR 2	
SR4470	PANHARD ROD POLYBUSH KIT (USE SF4661)	BN1-BJ8.26704	.	.	(USE SF4661)	

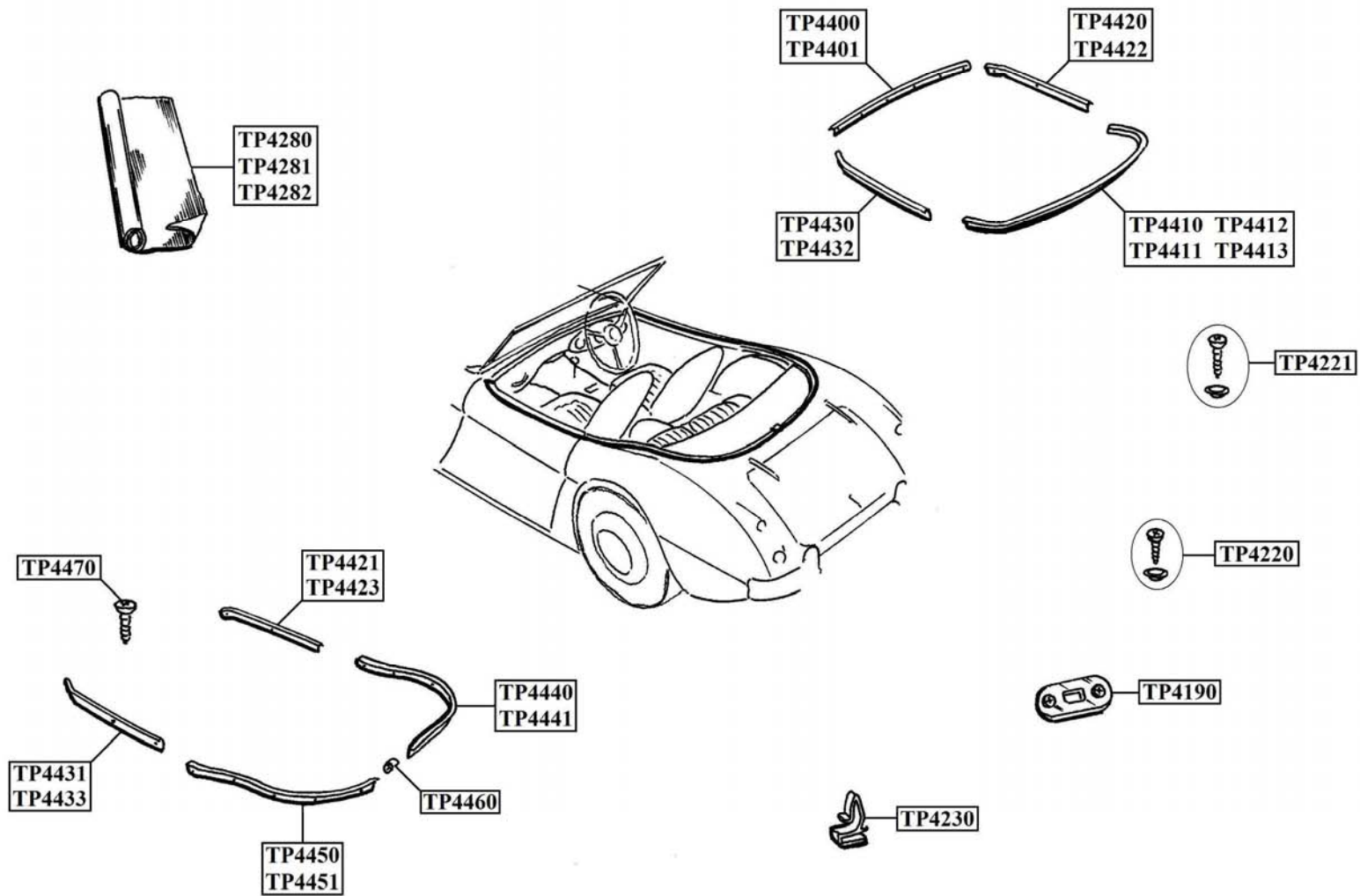




PART	DESCRIPTION	APP	AF	ALT	QPV
TP4010	FOOTWELL PANELS - PR (BLACK)	BN1-BN2	TRP110	.	1
TP4011	FOOTWELL PANELS - PR (BLUE)	BN1-BN2	TRP111	.	1
TP4012	FOOTWELL PANELS - PR (RED)	BN1-BN2	TRP112	.	1
TP4020	FOOTWELL PANELS - PR (BLACK)	BN4-BJ7	TRP120	.	1
TP4021	FOOTWELL PANELS - PR (BLUE)	BN4-BJ7	TRP121	.	1
TP4022	FOOTWELL PANELS - PR (RED)	BN4-BJ7	TRP122	.	1
TP4030	FOOTWELL PANELS - PR (BLACK)	BJ8	TRP130	.	1
TP4031	FOOTWELL PANELS - PR (BLUE)	BJ8	TRP131	.	1
TP4032	FOOTWELL PANELS - PR (RED)	BJ8	TRP132	.	1
TP4040	DOOR TRIM PANELS - PR (BLACK)	BN1-BN2	TRP140	.	1
TP4041	DOOR TRIM PANELS - PR (BLUE)	BN1-BN2	TRP141	.	1
TP4042	DOOR TRIM PANELS - PR (RED)	BN1-BN2	TRP142	.	1
TP4050	DOOR TRIM PANELS - PR (BLACK)	BN4-BT7	TRP150	.	1
TP4051	DOOR TRIM PANELS - PR (BLUE)	BN4-BT7	TRP151	.	1
TP4052	DOOR TRIM PANELS - PR (RED)	BN4-BT7	TRP152	.	1
TP4060	DOOR TRIM PANELS - PR (BLACK)	BJ7	TRP160	.	1
TP4061	DOOR TRIM PANELS - PR (BLUE)	BJ7	TRP161	.	1
TP4062	DOOR TRIM PANELS - PR (RED)	BJ7	TRP162	.	1
TP4070	DOOR TRIM PANELS - PR (BLACK)	BJ8	TRP170	.	1
TP4071	DOOR TRIM PANELS - PR (BLUE)	BJ8	TRP171	.	1
TP4072	DOOR TRIM PANELS - PR (RED)	BJ8	TRP172	.	1
TP4080	LINER ASSY. - DOOR PANELS (BLACK)	BN1-BN2	TRP175	.	1
TP4081	LINER ASSY. - DOOR PANELS (BLUE)	BN1-BN2	TRP176	.	1
TP4082	LINER ASSY. - DOOR PANELS (RED)	BN1-BN2	TRP177	.	1
TP4090	LINER ASSY. - DOOR PANELS (BLACK)	BN4-BT7	TRP180	.	1
TP4091	LINER ASSY. - DOOR PANELS (BLUE)	BN4-BT7	TRP181	.	1
TP4092	LINER ASSY. - DOOR PANELS (RED)	BN4-BT7	TRP182	.	1
TP4100	REAR QUARTER PANELS - PR (BLACK)	BN1-BN2	TRP210	.	1
TP4101	REAR QUARTER PANELS - PR (BLUE)	BN1-BN2	TRP211	.	1
TP4102	REAR QUARTER PANELS - PR (RED)	BN1-BN2	TRP212	.	1
TP4110	REAR QUARTER PANELS - PR (BLACK)	BN4-BN4.68959	TRP215	.	1

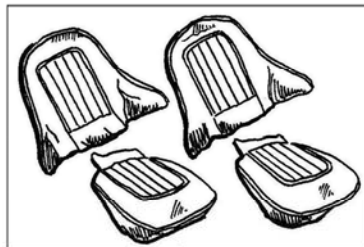
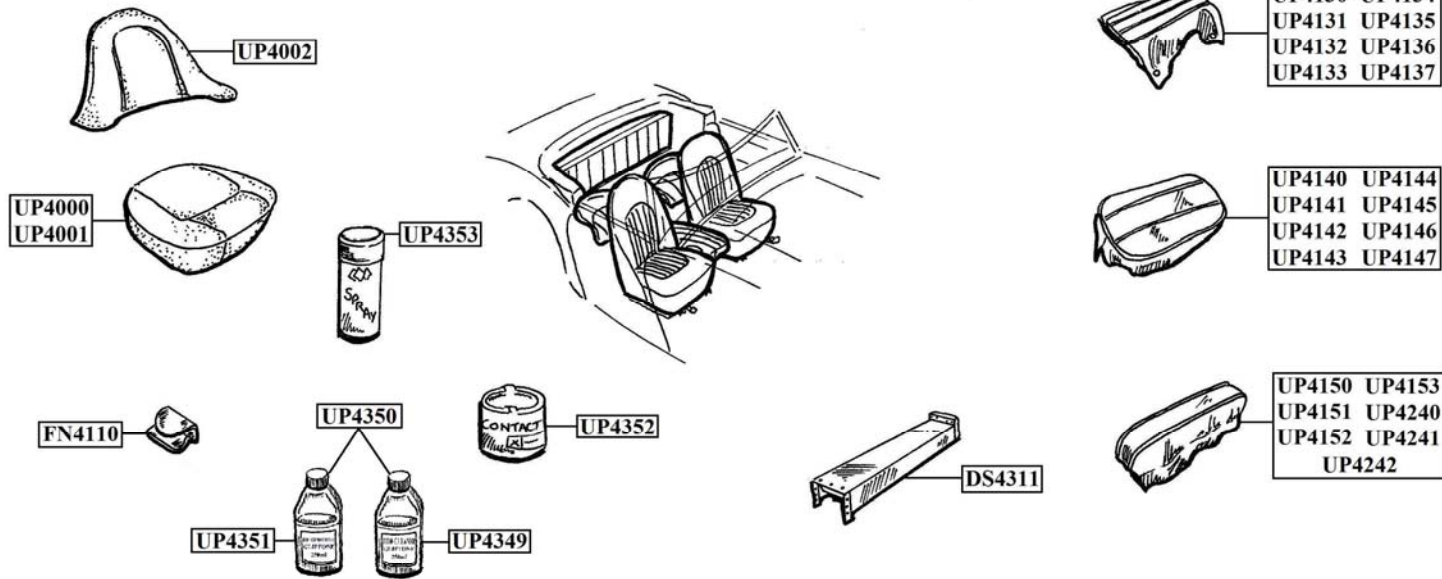
PART	DESCRIPTION	APP	AF	ALT	QPV
TP4111	REAR QUARTER PANELS - PR (BLUE)	BN4-BN4.68959	TRP216	.	1
TP4112	REAR QUARTER PANELS - PR (RED)	BN4-BN4.68959	TRP217	.	1
TP4120	REAR QUARTER PANELS - PR (BLACK)	BN4.68960-BT7	TRP220	.	1
TP4121	REAR QUARTER PANELS - PR (BLUE)	BN4.68960-BT7	TRP221	.	1
TP4122	REAR QUARTER PANELS - PR (RED)	BN4.68960-BT7	TRP222	.	1
TP4130	REAR QUARTER PANELS - SET OF 4 (BLACK)	BN6&BN7	TRP225	.	1
TP4131	REAR QUARTER PANELS - SET OF 4 (BLUE)	BN6&BN7	TRP226	.	1
TP4132	REAR QUARTER PANELS - SET OF 4 (RED)	BN6&BN7	TRP227	.	1
TP4140	REAR QUARTER PANELS - PR (BLACK)	BJ7	TRP230	.	1
TP4141	REAR QUARTER PANELS - PR (BLUE)	BJ7	TRP231	.	1
TP4142	REAR QUARTER PANELS - PR (RED)	BJ7	TRP232	.	1
TP4150	REAR QUARTER PANELS - PR (BLACK)	BJ8-BJ8.26704	TRP235	.	1
TP4151	REAR QUARTER PANELS - PR (BLUE)	BJ8-BJ8.26704	TRP236	.	1
TP4152	REAR QUARTER PANELS - PR (RED)	BJ8-BJ8.26704	TRP237	.	1
TP4160	REAR QUARTER PANELS - PR (BLACK)	BJ8.26705 ON	TRP240	.	1
TP4161	REAR QUARTER PANELS - PR (BLUE)	BJ8.26705 ON	TRP241	.	1
TP4162	REAR QUARTER PANELS - PR (RED)	BJ8.26705 ON	TRP242	.	1
TP4190	CHROME PLATE - PARCEL SHELF BOLT	BJ8	TRP245	.	2
TP4220	SCREW & CUP WASHER - TRIM PANEL (1/2")	BN1-BT7	TRP250	.	As Req
TP4221	SCREW & CUP WASHER - TRIM PANEL (3/4")	BN1-BT7	.	.	As Req
TP4230	CLIP - DOOR PANEL	BJ8	TRP251	.	As Req
TP4280	VINYL - PER METRE (BLACK)	AR	TRP260	.	As Req
TP4281	VINYL - PER METRE (BLUE)	AR	TRP261	.	As Req
TP4282	VINYL - PER METRE (RED)	AR	TRP262	.	As Req
TP4320	HOOD STOWAGE STRAP - PR (BLACK)	BN6&BN7	TRP270	.	1
TP4321	HOOD STOWAGE STRAP - PR (BLUE)	BN6&BN7	TRP271	.	1
TP4322	HOOD STOWAGE STRAP - PR (RED)	BN6&BN7	TRP272	.	1
TP4330	HOOD STOWAGE BOX ASSY. - PR (BLACK)	BN6&BN7	TRP273	.	1
TP4331	HOOD STOWAGE BOX ASSY. - PR (BLUE)	BN6&BN7	TRP274	.	1
TP4332	HOOD STOWAGE BOX ASSY. - PR (RED)	BN6&BN7	TRP275	.	1
TP4360	PADDED DOOR ROLL - PR (BLACK)	BJ8	TRP280	.	1



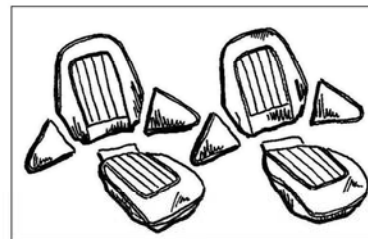


PART	DESCRIPTION	APP	AF	ALT	QPV	
TP4361	PADDED DOOR ROLL - PR (BLUE)	BJ8	TRP281	.	1	
TP4362	PADDED DOOR ROLL - PR (RED)	BJ8	TRP282	.	1	
TP4400	COCKPIT MOULDING - FRONT (RECON. EXCHANGE)	BN1-BN2	TRP300	.	1	
TP4401	COCKPIT MOULDING - FRONT (NEW)	BN1-BN2	TRP300	.	1	
TP4410	COCKPIT MOULDING - REAR (RECON. EXCHANGE)	BN1-BN2	TRP301	.	1	
TP4411	COCKPIT MOULDING - REAR (RECON. EXCHANGE)	BN6&BN7	TRP316	.	1	
TP4412	COCKPIT MOULDING - REAR (NEW)	BN1-BN2	TRP301	.	1	
TP4413	COCKPIT MOULDING - REAR (NEW)	BN6&BN7	TRP316	.	1	
TP4420	COCKPIT MOULDING - RH DOOR (RECON. EXCHANGE)	BN1-BN2	TRP302	.	1	
TP4421	COCKPIT MOULDING - RH DOOR (RECON. EXCHANGE)	BN4-BT7	TRP310	.	1	
TP4422	COCKPIT MOULDING - RH DOOR (NEW)	BN1-BN2	TRP302	.	1	
TP4423	COCKPIT MOULDING - RH DOOR (NEW)	BN4-BT7	TRP310	.	1	
TP4430	COCKPIT MOULDING - LH DOOR (RECON. EXCHANGE)	BN1-BN2	TRP303	.	1	
TP4431	COCKPIT MOULDING - LH DOOR (RECON. EXCHANGE)	BN4-BT7	TRP311	.	1	
TP4432	COCKPIT MOULDING - LH DOOR (NEW)	BN1-BN2	TRP303	.	1	
TP4433	COCKPIT MOULDING - LH DOOR (NEW)	BN4-BT7	TRP311	.	1	
TP4440	COCKPIT MOULDING - REAR RH (RECON. EXCHANGE)	BN4-BT7	TRP312	.	1	
TP4441	COCKPIT MOULDING - REAR RH (NEW)	BN4-BT7	TRP312	.	1	
TP4450	COCKPIT MOULDING - REAR LH (RECON. EXCHANGE)	BN4-BT7	TRP313	.	1	
TP4451	COCKPIT MOULDING - REAR LH (NEW)	BN4-BT7	TRP313	.	1	
TP4460	COCKPIT MOULDING - REAR (CENTRE)	BN4-BT7	TRP314	.	1	
TP4470	SELF TAPPING SCREW - DOOR CAPPING (S.S.)	BN1-BT7	TRP350	.	As Req	

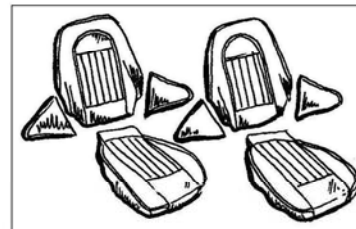




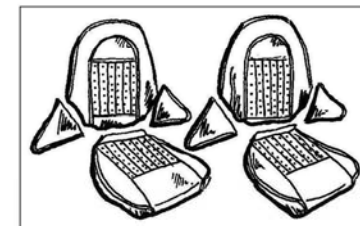
UP4008 UP4106
UP4009 UP4107
UP4104 UP4108
UP4105 UP4109



UP4110 UP4114
UP4111 UP4115
UP4112 UP4116
UP4113 UP4117



UP4120 UP4122
UP4121 UP4123

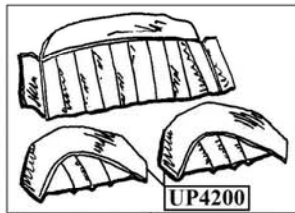


UP4210
UP4211
UP4212

PART	DESCRIPTION	APP	AF	ALT	QPV	
UP4000	FOAM SEAT CUSHION - RH	BN1-BJ8	UPY101	643-920	1	
UP4001	FOAM SEAT CUSHION - LH	BN1-BJ8	UPY102	643-910	1	
UP4002	FOAM SEAT SQUAB	BN1-BJ8	UPY103	643-910/20	2	
UP4008	FRONT SEAT COVER SET - RED/WHITE	BN1-BN4	UPY109J	246-670	1	
UP4009	FRONT SEAT COVER SET - RED/BLACK	BN1-BN4	UPY109K	246-680	1	
UP4104	FRONT SEAT COVER SET - BLACK/BLACK	BN1-BN4	UPY104	246-725	1	
UP4105	FRONT SEAT COVER SET - BLACK/WHITE	BN1-BN4	UPY105	246-700	1	
UP4106	FRONT SEAT COVER SET - BLUE/WHITE	BN1-BN4	UPY106	246-720	1	
UP4107	FRONT SEAT COVER SET - RED/RED	BN1-BN4	UPY107	246-690	1	
UP4108	FRONT SEAT COVER SET - BLUE/BLUE	BN1-BN4	UPY108		1	
UP4109	FRONT SEAT COVER SET - BLACK/RED	BN1-BN4	UPY109		1	
UP4110	FRONT SEAT COVER SET - BLACK/BLACK	BN6-BJ7	UPY110	246-815	1	
UP4111	FRONT SEAT COVER SET - BLUE/BLUE	BN6-BJ7	UPY111	246-865	1	
UP4112	FRONT SEAT COVER SET - RED/RED	BN6-BJ7	UPY112	246-845	1	
UP4113	FRONT SEAT COVER SET - BLACK/RED	BN6-BJ7	UPY113	246-835	1	
UP4114	FRONT SEAT COVER SET - BLUE/WHITE	BN6-BJ7	UPY114	246-866	1	
UP4115	FRONT SEAT COVER SET - RED/WHITE	BN6-BJ7	UPY115	246-855	1	
UP4116	FRONT SEAT COVER SET - RED/BLACK	BN6-BJ7	UPY116		1	
UP4117	FRONT SEAT COVER SET - BLACK/WHITE	BN6-BJ7	UPY117	246-825	1	
UP4120	FRONT SEAT COVER SET - BLACK/BLACK	BJ8	UPY120	247-510	1	
UP4121	FRONT SEAT COVER SET - BLUE/BLUE	BJ8	UPY121	247-550	1	
UP4122	FRONT SEAT COVER SET - RED/RED	BJ8	UPY122	247-530	1	
UP4123	FRONT SEAT COVER SET - BLACK/RED	BJ8	UPY123		1	
UP4130	ARMREST - BLACK/WHITE	BN1-BN4	UPY130	247-240	1	
UP4131	ARMREST - BLUE/WHITE	BN1-BN4	UPY131	247-286	1	
UP4132	ARMREST - RED/RED	BN1-BN4	UPY132	247-260	1	
UP4133	ARMREST - BLUE/BLUE	BN1-BN4	UPY133	247-280	1	
UP4134	ARMREST - RED/WHITE	BN1-BN4	UPY134	247-270	1	
UP4135	ARMREST - RED/BLACK	BN1-BN4	UPY135		1	
UP4136	ARMREST - BLACK/RED	BN1-BN4	UPY136	247-250	1	
UP4137	ARMREST - BLACK/BLACK	BN1-BN4	UPY137	247-230	1	

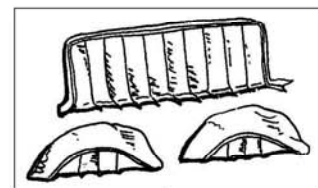
PART	DESCRIPTION	APP	AF	ALT	QPV	
UP4140	ARMREST - BLACK/BLACK	BN6-BJ7	UPY140	247-370	1	
UP4141	ARMREST - BLUE/BLUE	BN6-BJ7	UPY141	247-420	1	
UP4142	ARMREST - RED/RED	BN6-BJ7	UPY142	247-400	1	
UP4143	ARMREST - BLACK/RED	BN6-BJ7	UPY143	247-390	1	
UP4144	ARMREST - BLUE/WHITE	BN6-BJ7	UPY144	247-425	1	
UP4145	ARMREST - RED/WHITE	BN6-BJ7	UPY145	247-410	1	
UP4146	ARMREST - RED/BLACK	BN6-BJ7	UPY146		1	
UP4147	ARMREST - BLACK/WHITE	BN6-BJ7	UPY147	247-380	1	
UP4150	ARMREST FIXED - BLACK/BLACK	BJ8	UPY150	247-840	1	
UP4151	ARMREST FIXED - BLUE/BLUE	BJ8	UPY151	247-860	1	
UP4152	ARMREST FIXED - RED/RED	BJ8	UPY152	247-850	1	
UP4153	ARMREST FIXED - BLACK/RED	BJ8	UPY153		1	
UP4170	REAR SEAT COVER SET - BLACK/BLACK	BN4.68961-BT7	UPY170	246-955	1	
UP4171	REAR SEAT COVER SET - BLUE/BLUE	BN4.68961-BT7	UPY171	247-005	1	
UP4172	REAR SEAT COVER SET - RED/RED	BN4.68961-BT7	UPY172	246-985	1	
UP4173	REAR SEAT COVER SET - BLACK/RED	BN4.68961-BT7	UPY173	246-975	1	
UP4174	REAR SEAT COVER SET - BLUE/WHITE	BN4.68961-BT7	UPY174	246-007	1	
UP4175	REAR SEAT COVER SET - RED/WHITE	BN4.68961-BT7	UPY175	246-995	1	
UP4176	REAR SEAT COVER SET - RED/BLACK	BN4.68961-BT7	UPY176		1	
UP4177	REAR SEAT COVER SET - BLACK/WHITE	BN4.68961-BT7	UPY177	246-965	1	
UP4180	REAR SEAT COVER SET - BLACK/BLACK	BJ7	UPY180	247-090	1	
UP4181	REAR SEAT COVER SET - BLUE/BLUE	BJ7	UPY181	247-140	1	
UP4182	REAR SEAT COVER SET - RED/RED	BJ7	UPY182	247-120	1	
UP4183	REAR SEAT COVER SET - BLACK/RED	BJ7	UPY183	247-110	1	
UP4184	REAR SEAT COVER SET - BLUE/WHITE	BJ7	UPY184	247-145	1	
UP4185	REAR SEAT COVER SET - RED/WHITE	BJ7	UPY185	247-130	1	
UP4186	REAR SEAT COVER SET - RED/BLACK	BJ7	UPY186		1	
UP4187	REAR SEAT COVER SET - BLACK/WHITE	BJ7	UPY187	247-100	1	
UP4190	REAR SEAT COVER SET - BLACK/BLACK	BJ8	UPY190	247-650	1	
UP4191	REAR SEAT COVER SET - BLUE/BLUE	BJ8	UPY191	247-690	1	
UP4192	REAR SEAT COVER SET - RED/RED	BJ8	UPY192	247-670	1	





UP4200

- UP4170 UP4174
- UP4171 UP4175
- UP4172 UP4176
- UP4173 UP4177

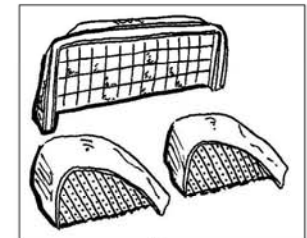


- UP4180 UP4184
- UP4181 UP4185
- UP4182 UP4186
- UP4183 UP4187

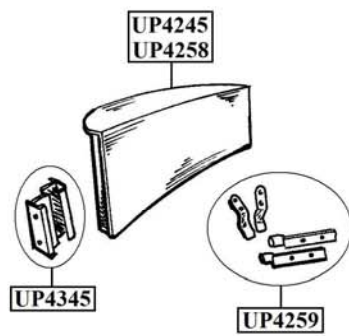


UP4205

- UP4190 UP4193
- UP4191 UP4192



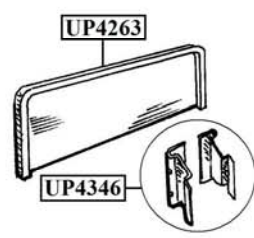
- UP4250
- UP4251
- UP4252



UP4245
UP4258

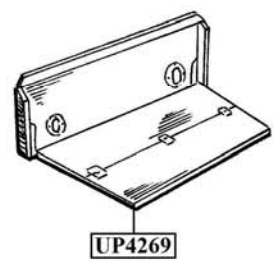
UP4345

UP4259

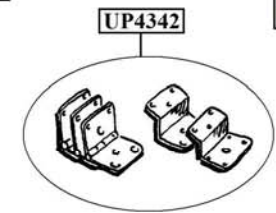


UP4263

UP4346



UP4269



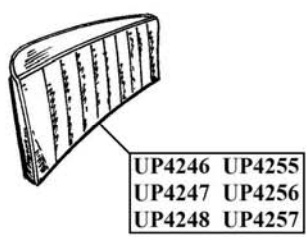
UP4342



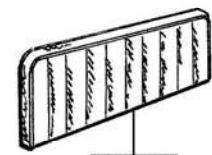
UP4273



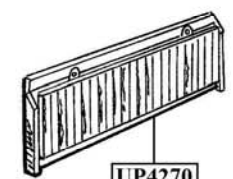
UP4348



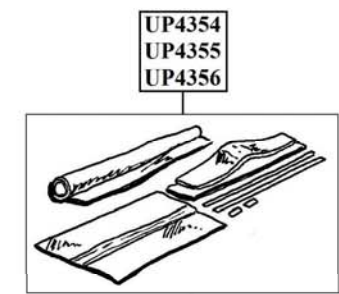
- UP4246 UP4255
- UP4247 UP4256
- UP4248 UP4257



- UP4260
- UP4261
- UP4262



- UP4270
- UP4271
- UP4272



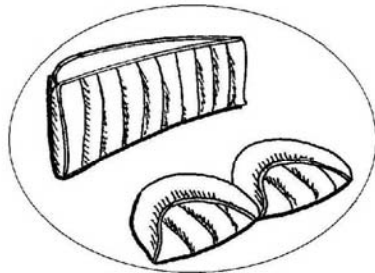
- UP4354
- UP4355
- UP4356



PART	DESCRIPTION	APP	AF	ALT	QPV
UP4193	REAR SEAT COVER SET - BLACK/RED	BJ8	UPY193	.	1
UP4200	REAR SEAT PAN COVERS - BLACK/BLACK (PR)	BN4.68961-BT7	.	247-450	1
UP4205	REAR SEAT PAN COVERS - BLUE/BLUE (PR)	BJ8	.	247-490	1
UP4210	FRONT SEAT COVER SET - BLACK/SILVER (VINYL)	BJ8	UPY210	247-470	1
UP4211	FRONT SEAT COVER SET - BLUE/SILVER (VINYL)	BJ8	UPY211	247-800	1
UP4212	FRONT SEAT COVER SET - RED/SILVER (VINYL)	BJ8	UPY212	247-820	1
UP4240	ARMREST FIXED - BLACK/SILVER (VINYL)	BJ8	UPY240	247-810	1
UP4241	ARMREST FIXED - BLUE/SILVER (VINYL)	BJ8	UPY241	247-590	1
UP4242	ARMREST FIXED - RED/SILVER (VINYL)	BJ8	UPY242	247-630	1
UP4245	BACK PANEL - UNTRIMMED	BN4-BN4.68959	UPY253	247-610	1
UP4246	TRIMMED BACK PANEL - BLACK/BLACK	BN4-BN4.68959	UPY253A	.	1
UP4247	TRIMMED BACK PANEL - BLUE/BLUE	BN4-BN4.68959	UPY253B	.	1
UP4248	TRIMMED BACK PANEL - RED/RED	BN4-BN4.68959	UPY253C	.	1
UP4250	REAR SEAT COVER SET - BLACK/SILVER (VINYL)	BJ8	UPY250	.	1
UP4251	REAR SEAT COVER SET - BLUE/SILVER (VINYL)	BJ8	UPY251	.	1
UP4252	REAR SEAT COVER SET - RED/SILVER (VINYL)	BJ8	UPY252	.	1
UP4255	TRIMMED BACK PANEL - BLACK/BLACK	BN4.68960-BT7	UPY255	.	1
UP4256	TRIMMED BACK PANEL - BLUE/BLUE	BN4.68960-BT7	UPY256	.	1
UP4257	TRIMMED BACK PANEL - RED/RED	BN4.68960-BT7	UPY257	.	1
UP4258	BACK PANEL - UNTRIMMED	BN4.68960-BT7	UPY258	805-070	1
UP4259	FIXING BRACKET SET - BACK PANEL	BN4.68960-BT7	UPY259	.	1
UP4260	TRIMMED BACK PANEL - BLACK/BLACK	BJ7	UPY260	.	1
UP4261	TRIMMED BACK PANEL - BLUE/BLUE	BJ7	UPY261	.	1
UP4262	TRIMMED BACK PANEL - RED/RED	BJ7	UPY262	.	1
UP4263	BACK PANEL - UNTRIMMED	BJ7	UPY263	856-460	1
UP4267	TRIMMED BACK PANEL - BLUE/BLUE	BN4.68960-BT7	UPY257A	.	1
UP4269	BACK PANEL ASSY. - UNTRIMMED (EXCL. BOLTS)	BJ8	UPY269	.	1
UP4270	TRIMMED BACK PANEL ASSY. - BLACK/BLACK (EXCL. BOLTS)	BJ8	UPY270	.	1
UP4271	TRIMMED BACK PANEL ASSY. - BLUE/BLUE (EXCL. BOLTS)	BJ8	UPY271	856-465	1
UP4272	TRIMMED BACK PANEL ASSY. - RED/RED (EXCL. BOLTS)	BJ8	UPY272	.	1
UP4273	PLATE - PARCEL SHELF ASSY.	BJ8	UPY273	.	2

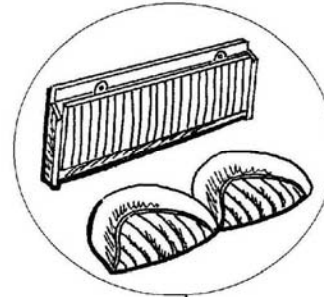
PART	DESCRIPTION	APP	AF	ALT	QPV
UP4275	UPHOLSTERED FRONT SEATS (PR) - BLACK/BLACK	BN1-BN4	.	.	1
UP4276	UPHOLSTERED FRONT SEATS (PR) - BLUE/BLUE	BN1-BN4	.	.	1
UP4277	UPHOLSTERED FRONT SEATS (PR) - RED/RED	BN1-BN4	.	.	1
UP4280	UPHOLSTERED FRONT SEATS (PR) - BLACK/BLACK	BN6-BJ7	UPY280	.	1
UP4281	UPHOLSTERED FRONT SEATS (PR) - BLUE/BLUE	BN6-BJ7	UPY281	.	1
UP4282	UPHOLSTERED FRONT SEATS (PR) - RED/RED	BN6-BJ7	UPY282	.	1
UP4290	UPHOLSTERED FRONT SEATS (PR) - BLACK/BLACK	BJ8	UPY290	.	1
UP4291	UPHOLSTERED FRONT SEATS (PR) - BLUE/BLUE	BJ8	UPY291	.	1
UP4292	UPHOLSTERED FRONT SEATS (PR) - RED/RED	BJ8	UPY292	.	1
UP4300	UPHOLSTERED REAR SEATS (PR) INCL. B/REST COVER - BLACK/BLACK	BN4-BT7	UPY300	.	1
UP4301	UPHOLSTERED REAR SEATS (PR) INCL. B/REST COVER - BLUE/BLUE	BN4-BT7	UPY301	.	1
UP4302	UPHOLSTERED REAR SEATS (PR) INCL. B/REST COVER - RED/RED	BN4-BT7	UPY302	.	1
UP4305	UPHOLSTERED REAR SEATS (PR) INCL. UPH. B/REST - BLACK/BLACK	BN4-BT7	UPY305	.	1
UP4306	UPHOLSTERED REAR SEATS (PR) INCL. UPH. B/REST - BLUE/BLUE	BN4-BT7	UPY306	.	1
UP4307	UPHOLSTERED REAR SEATS (PR) INCL. UPH. B/REST - RED/RED	BN4-BT7	UPY307	.	1
UP4310	UPHOLSTERED REAR SEATS (PR) INCL. B/REST COVER - BLACK/BLACK	BJ7	UPY310	.	1
UP4311	UPHOLSTERED REAR SEATS (PR) INCL. B/REST COVER - BLUE/BLUE	BJ7	UPY311	.	1
UP4312	UPHOLSTERED REAR SEATS (PR) INCL. B/REST COVER - RED/RED	BJ7	UPY312	.	1
UP4315	UPHOLSTERED REAR SEATS (PR) INCL. UPH. B/REST - BLACK/BLACK	BJ7	UPY315	.	1
UP4316	UPHOLSTERED REAR SEATS (PR) INCL. UPH. B/REST - BLUE/BLUE	BJ7	UPY316	.	1
UP4317	UPHOLSTERED REAR SEATS (PR) INCL. UPH. B/REST - RED/RED	BJ7	UPY317	.	1
UP4320	UPHOLSTERED REAR SEATS (PR) INCL. B/REST COVER - BLACK/BLACK	BJ8	UPY320	.	1
UP4321	UPHOLSTERED REAR SEATS (PR) INCL. B/REST COVER - BLUE/BLUE	BJ8	UPY321	856-398	1
UP4322	UPHOLSTERED REAR SEATS (PR) INCL. B/REST COVER - RED/RED	BJ8	UPY322	805-045	1
UP4325	UPHOLSTERED REAR SEATS (PR) INCL. UPH. B/REST - BLACK/BLACK	BJ8	UPY325	805-055/065	1
UP4326	UPHOLSTERED REAR SEATS (PR) INCL. UPH. B/REST - BLUE/BLUE	BJ8	UPY326	805-040	1
UP4327	UPHOLSTERED REAR SEATS (PR) INCL. UPH. B/REST - RED/RED	BJ8	UPY327	.	1
UP4342	HINGE SET - BACK PANEL	BJ8	UPY342	.	1
UP4345	BRACKET - PR (REAR SQUAB FIXING)	BT7	UPY345	.	1
UP4346	BRACKET - PR (REAR SQUAB FIXING)	BJ7	UPY346	.	1
UP4348	SLIDE BOLT - REAR BACK PANEL	BJ8	UPY348	.	2





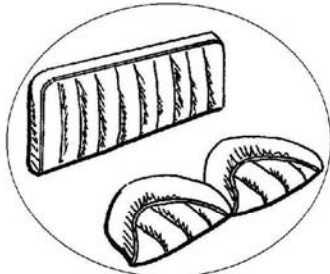
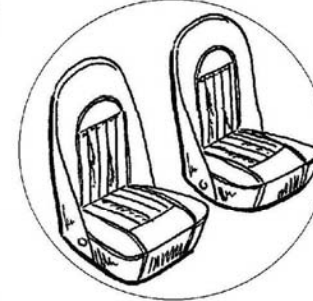
UP4300 UP4305
UP4301 UP4306
UP4302 UP4307

UP4275
UP4276
UP4277

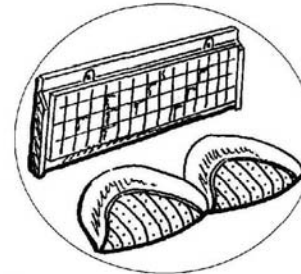
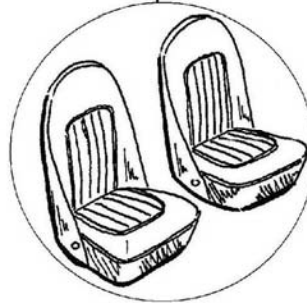


UP4320 UP4325
UP4321 UP4326
UP4322 UP4327

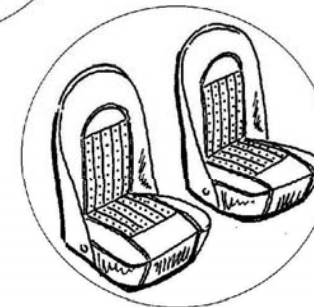
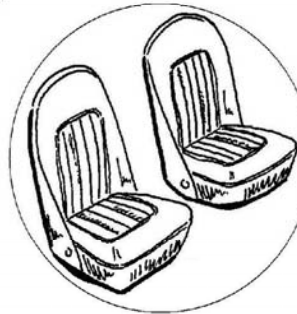
UP4290
UP4291
UP4292



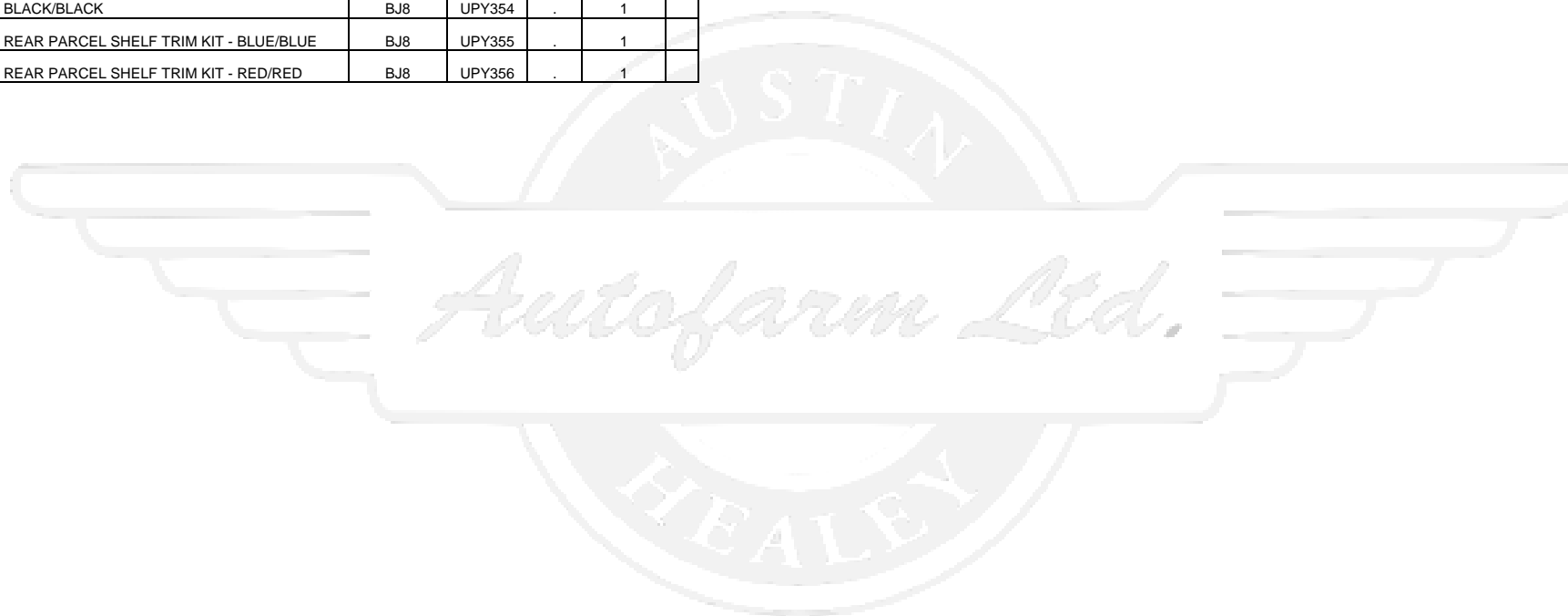
UP4310 UP4315
UP4311 UP4316
UP4312 UP4317

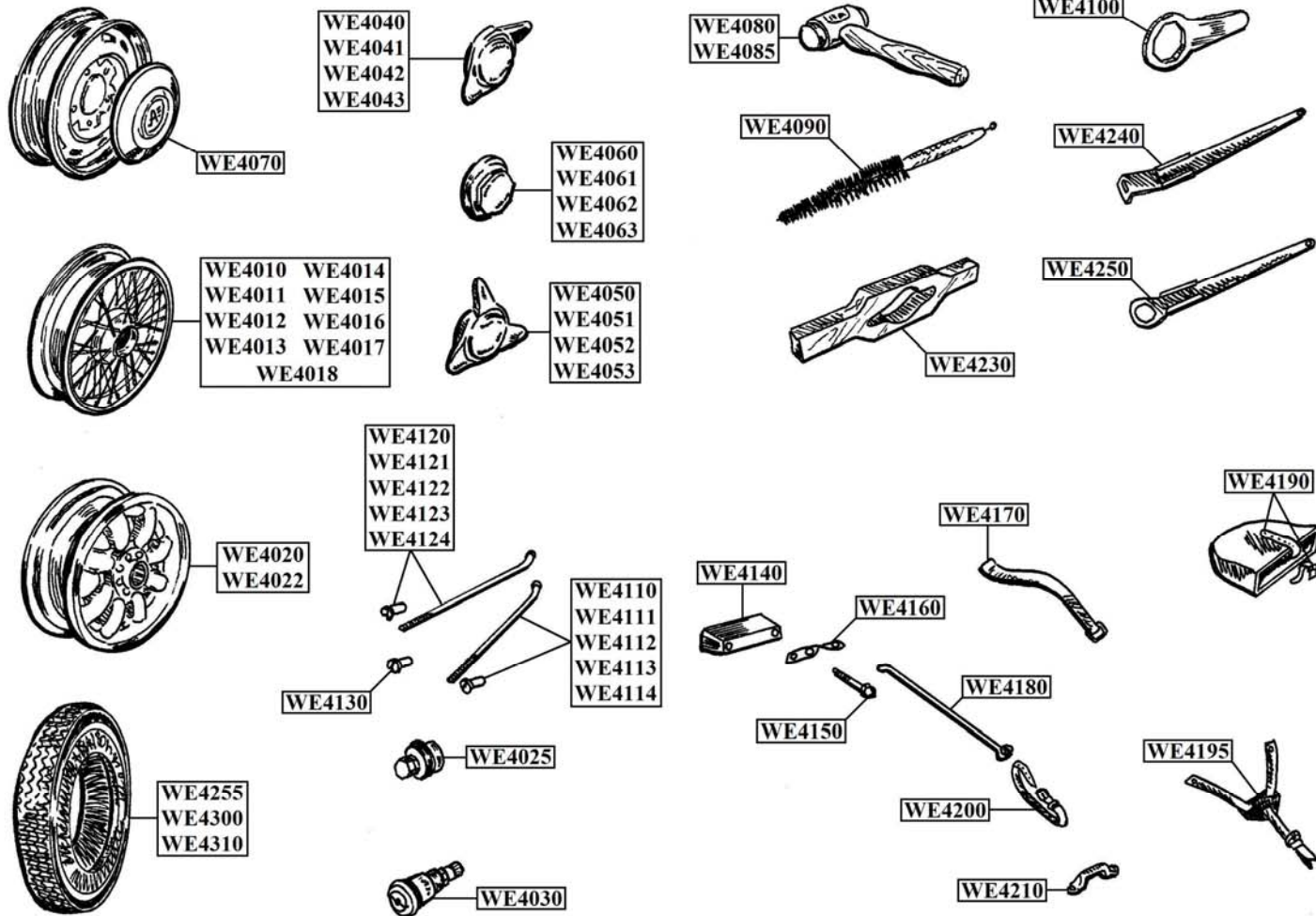


UP4280
UP4281
UP4282



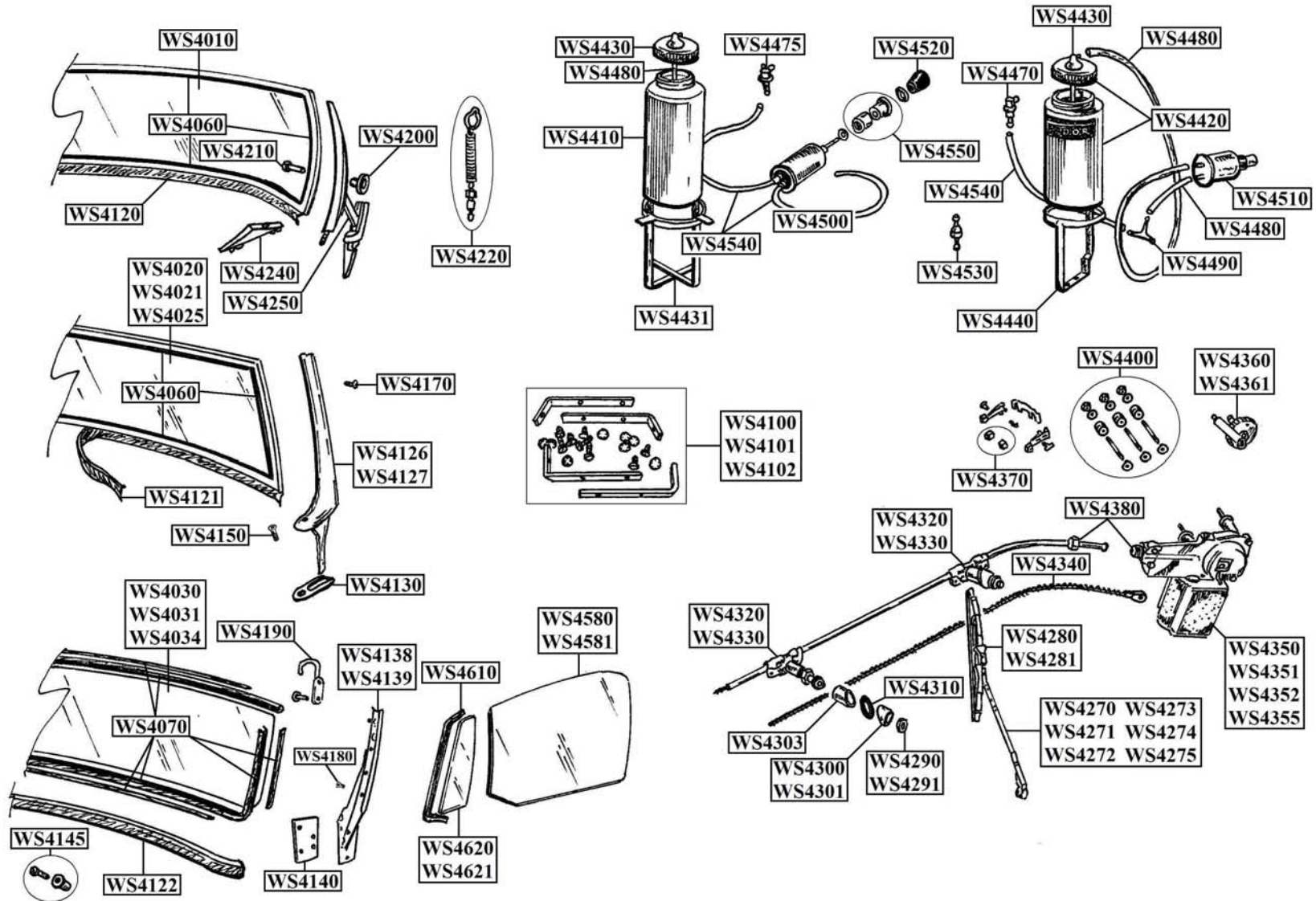
PART	DESCRIPTION	APP	AF	ALT	QPV	
UP4349	HIDE CLEANER - GLIPTONE (250ml)	BN1-BJ8	.	.	As Req	
UP4350	LEATHER CARE KIT	BN1-BJ8	UPY350	.	As Req	
UP4351	HIDE CONDITIONER - GLIPTONE (250ml)	BN1-BJ8	.	.	As Req	
UP4352	CONTACT ADHESIVE - TRIM (1 LITRE)	BN1-BJ8	UPY352	.	As Req	
UP4353	AEROSOL SPRAY GLUE - HEAVY DUTY	BN1-BJ8	UPY353	.	As Req	
UP4354	REAR PARCEL SHELF TRIM KIT - BLACK/BLACK	BJ8	UPY354	.	1	
UP4355	REAR PARCEL SHELF TRIM KIT - BLUE/BLUE	BJ8	UPY355	.	1	
UP4356	REAR PARCEL SHELF TRIM KIT - RED/RED	BJ8	UPY356	.	1	





PART	DESCRIPTION	APP	AF	ALT	QPV	
WE4010	WIRE WHEEL - 48 SPOKE (PAINTED)	BN1-BJ7.24366	WHE101	454-610	4	
WE4011	WIRE WHEEL - 48 SPOKE (CHROME)	BN1-BJ7.24366	WHE103	454-615	4	
WE4012	WIRE WHEEL - 60 SPOKE (PAINTED)	BN2-BJ8	WHE105	454-620	4	
WE4013	WIRE WHEEL - 60 SPOKE (CHROME)	BN2-BJ8	WHE107	454-630	4	
WE4014	WIRE WHEEL - 72 SPOKE (PAINTED) 5"	BN1-BJ8	WHE108	.	4	
WE4015	WIRE WHEEL - 72 SPOKE (CHROME) 5"	BN1-BJ8	WHE109	.	4	
WE4016	WIRE WHEEL - 72 SPOKE (PAINTED) 5.5"	BN1-BJ8	WHE110	454-720	4	
WE4017	WIRE WHEEL - 72 SPOKE (CHROME) 5.5"	BN1-BJ8	WHE111	454-730	4	
WE4018	WIRE WHEEL - 72 SPOKE (PAINTED) 4.5" (FIA APP.)	BN1-BJ8	.	.	4	
WE4020	MINILITE - KNOCK OFF (5.5")	BN1-BJ8	WHE115	455-385	4	
WE4022	MINILITE - BOLT ON (5.5")	BN4-BJ8	.	.	4	
WE4025	NUT - WHEEL (ALUM. BOLT ON WHEEL)	BN4-BJ8	.	.	20	
WE4030	VALVE - MINILITE WHEEL	BN1-BJ8	WHE116	.	4	
WE4040	2 EARED SPINNER - RH (12 TPI)	BN1-BJ8.26704	WHE120	200-290	2	
WE4041	2 EARED SPINNER - LH (12 TPI)	BN1-BJ8.26704	WHE121	200-280	2	
WE4042	2 EARED SPINNER - RH (8 TPI)	BJ8.26705 ON	WHE122	674-670	2	
WE4043	2 EARED SPINNER - LH (8 TPI)	BJ8.26705 ON	WHE123	674-680	2	
WE4050	3 EARED SPINNER - RH (12 TPI)	NOT ORIG.	WHE130	200-325	2	
WE4051	3 EARED SPINNER - RH (12 TPI)	NOT ORIG.	WHE131	200-315	2	
WE4052	3 EARED SPINNER - RH (8 TPI)	NOT ORIG.	WHE132	200-345	2	
WE4053	3 EARED SPINNER - RH (8 TPI)	NOT ORIG.	WHE133	200-335	2	
WE4060	CONTINENTAL SPINNER - RH (12 TPI)	BN1-BJ8.26704	WHE140	200-320	2	
WE4061	CONTINENTAL SPINNER - LH (12 TPI)	BN1-BJ8.26704	WHE141	200-310	2	
WE4062	CONTINENTAL SPINNER - RH (8 TPI)	BJ8.26705 ON	WHE142	462-740	2	
WE4063	CONTINENTAL SPINNER - LH (8 TPI)	BJ8.26705 ON	WHE143	462-730	2	
WE4070	HUB CAP - DISC WHEEL	BN4-BJ8	WHE150	031-312	4	
WE4080	HAMMER - COPPER/HYDE	BN1-BJ8	WHE152	386-110	As Req	
WE4085	DEAD-BLOW HAMMER - 3lb (THOR)	BN1-BJ8	.	.	As Req	
WE4090	BRUSH - WIRE WHEEL	BN1-BJ8	WHE154	386-940	As Req	
WE4100	SPANNER - CONTINENTAL SPINNERS	BN1-BJ8	WHE155	386-030	As Req	
WE4110	SPOKE & NIPPLE - SHORT (48 SPOKE WHEELS)	BN1-BJ7.24366	WHE160	200-040	As Req	

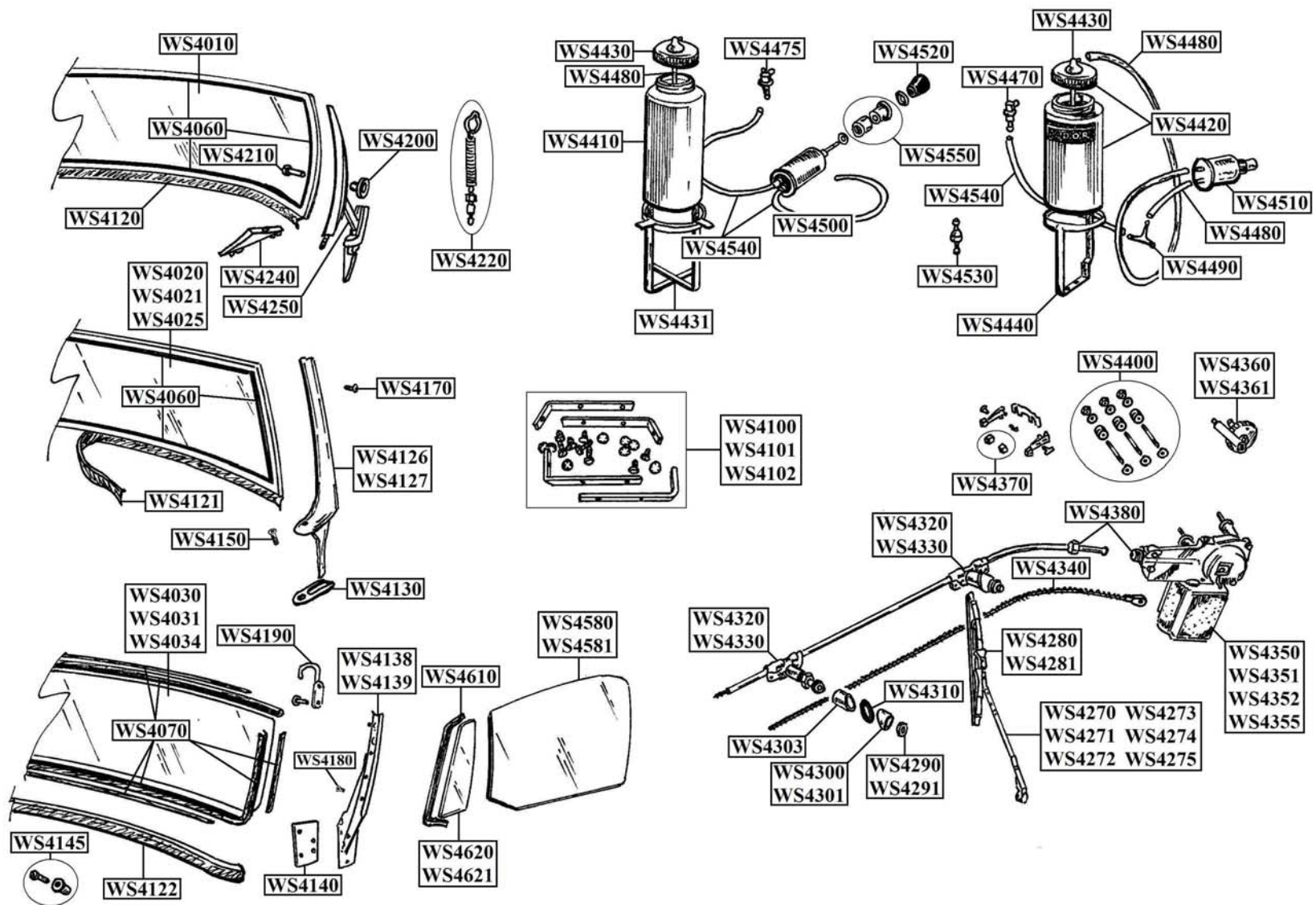
PART	DESCRIPTION	APP	AF	ALT	QPV	
WE4111	SPOKE & NIPPLE - SHORT (60 SPOKE WHEELS)	BN2-BJ8	WHE162	200-060	As Req	
WE4112	SPOKE & NIPPLE - SHORT (60 SPOKE WHEELS) CHROME	BN2-BJ8	WHE162C	200-062	As Req	
WE4113	SPOKE & NIPPLE - SHORT (72 SPOKE WHEELS)	BN1-BJ8	.	.	As Req	
WE4114	SPOKE & NIPPLE - SHORT (72 SPOKE WHEELS) CHROME	BN1-BJ8	WHE164B	.	As Req	
WE4120	SPOKE & NIPPLE - LONG (48 SPOKE WHEELS)	BN1-BJ7.24366	WHE161	200-030	As Req	
WE4121	SPOKE & NIPPLE - LONG (60 SPOKE WHEELS)	BN2-BJ8	WHE163	200-070	As Req	
WE4122	SPOKE & NIPPLE - LONG (60 SPOKE WHEELS) CHROME	BN2-BJ8	WHE163C	200-072	As Req	
WE4123	SPOKE & NIPPLE - LONG (72 SPOKE WHEELS)	BN1-BJ8	WHE164A	.	As Req	
WE4124	SPOKE & NIPPLE - LONG (72 SPOKE WHEELS) CHROME	BN1-BJ8	WHE164C	.	As Req	
WE4130	NIPPLE - SPOKE	BN1-BJ8	WHE165	200-050	As Req	
WE4140	BLOCK - RETAINING (SPARE WHEEL)	BN4.BT7.BJ7&BJ8	WHE170	221-680	2	
WE4150	BOLT - RETAINING (SPARE WHEEL BLOCK)	BN4.BT7.BJ7&BJ8	WHE171	322-280	4	
WE4160	BRACKET - RETAINING (SPARE WHEEL)	BN4.BT7.BJ7&BJ8	WHE172	221-665	1	
WE4170	BAR - RETAINING (SPARE WHEEL)	BN1-BN2	WHE173	221-655	1	
WE4180	BAR - RETAINING (SPARE WHEEL)	BN4.BT7.BJ7&BJ8	WHE174	221-650	1	
WE4190	LEATHER STRAP - SPARE WHEEL	BN6-BN7	WHE176	.	1	
WE4195	STRAP - SPARE WHEEL	100S	.	.	1	
WE4200	LEATHER STRAP - SPARE WHEEL	BN1.BN2.BN4.BT7.BJ7&BJ8	WHE177	221-630	1	
WE4210	CHROME STAPLE - SPARE WHEEL	BN1-BJ8	WHE178	409-075	1 OR 2	
WE4230	WOODEN SPANNER - 2 EARED SPINNERS	BN1-BJ8	WHE180	.	1	
WE4240	LARGE SPANNER - 2 EARED SPINNERS	BN1-BJ8	WHE182	386-125	1	
WE4250	LARGE SPANNER - CONTINENTAL TYPE	BN1-BJ8	WHE183	386-120	1	
WE4310	TYRE - 185/70 HR 15 89H (VREDESTEIN)	BN1-BJ8	.	.	4	
WE4350	INNER TUBE - 15" (MICHELIN)	BN1-BJ8	.	.	4	



PART	DESCRIPTION	APP	AF	ALT	QPV
WS4010	SCREEN GLASS - TYNESIDE (UK MADE)	BN1-BN2	WSN101	021-830	1
WS4011	SCREEN GLASS - TYNESIDE (UK MADE) HEATED	BN1-BN2	CWSN101	.	1
WS4016	PERSPEX WINDSCREEN KIT	100S	RALLY22	.	1
WS4020	SCREEN GLASS	BN4-BT7	WSN103	021-840	1
WS4021	SCREEN GLASS - TYNESIDE (UK MADE)	BN4-BT7	WSN103P	.	1
WS4025	SCREEN GLASS - TYNESIDE (UK MADE) HEATED	BN4-BT7	CWSN103	.	1
WS4030	SCREEN GLASS	BJ7-BJ8	WSN105	021-850	1
WS4031	SCREEN GLASS - TYNESIDE (UK MADE)	BJ7-BJ8	WSN105	021-850	1
WS4034	SCREEN GLASS - TYNESIDE (UK MADE) HEATED	BJ7-BJ8	CWSN105	.	1
WS4060	GLAZING RUBBER	BN1-BT7	WSN110	682-210	1
WS4070	GLAZING RUBBER	BJ7-BJ8	WSN113	682-028	1
WS4100	BRACKET SET - FRAME (INCL. SCREWS)	BN1-BN2	WSN120	805-050	1
WS4101	BRACKET SET - FRAME (INCL. SCREWS)	BN4,BN7&BT7	WSN121	805-060	1
WS4102	BRACKET SET - FRAME (INCL. SCREWS)	BJ7-BJ8	WSN122	031-413	1
WS4120	SEAL - FRAME TO BODY	BN1-BN2	WSN125	280-725	1
WS4121	SEAL - FRAME TO BODY	BN4,BN7&BT7	WSN126	021-763	1
WS4122	SEAL - FRAME TO BODY	BJ7-BJ8	WSN127	021-764	1
WS4126	WINDSCREEN PILLAR - RH (USED)	BN4-BT7	.	.	1
WS4127	WINDSCREEN PILLAR - LH (USED)	BN4-BT7	.	.	1
WS4130	PAD - SCREEN PILLAR	BN4,BN7&BT7	WSN130	021-762	2
WS4138	WINDSCREEN PILLAR - RH (USED)	BJ7-BJ8	.	.	1
WS4139	WINDSCREEN PILLAR - LH (USED)	BJ7-BJ8	.	.	1
WS4140	PACKING PIECE - SCREEN PILLAR	BJ7-BJ8	WSN131	031-416	As Req
WS4145	RUBBER NUT - SCREEN FRAME TO SCUTTLE	BJ7-BJ8	.	.	1
WS4150	CHROME SCREW - PILLAR TO BODY	BN4,BN7&BT7	WSN132	323-615	2
WS4170	CHROME SCREW - PILLAR TO FRAME	BN4,BN7&BT7	WSN134	323-625	8
WS4180	CHROME SCREW - PILLAR TO BODY	BJ7-BJ8	WSN136	323-080	8
WS4190	HOOKS - WINDSCREEN PILLAR (PR)	BJ7-BJ8	WSN138	031-414	1
WS4200	KNURLED KNOB - WINDSCREEN	BN1-BN2	WSN140	805-240	2
WS4210	PIN - FOR KNURLED KNOB	BN1-BN2	WSN141	806-555	2
WS4220	SPRING ASSEMBY - WINDSCREEN	BN1-BN2	WSN142	805-150	2

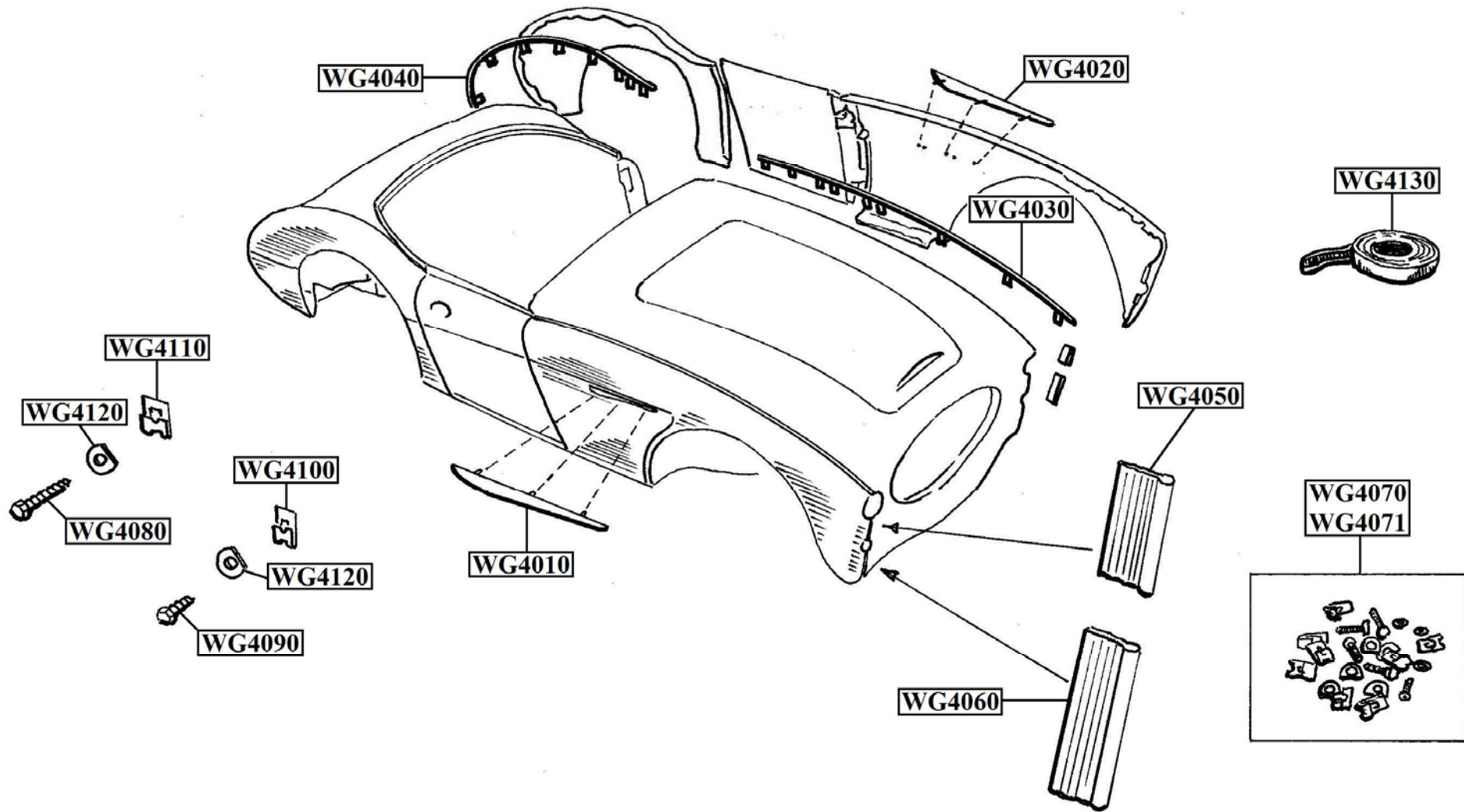
PART	DESCRIPTION	APP	AF	ALT	QPV
WS4230	LOCATING PIN - SCREEN PILLAR	BN1-BN2	WSN143	.	4
WS4240	CHROME FOOT - WINDSCREEN	BN1-BN2	WSN145	805-247	2
WS4250	CHROME FOLD DOWN LINK - WINDSCREEN	BN1-BN2	WSN146	021-954	2
WS4270	WIPER ARM - RHD	BN1-BN2	WSN150	.	2
WS4271	WIPER ARM - LHD	BN1-BN2	WSN151	560-400	2
WS4272	WIPER ARM - RHD	BN2-BT7	WSN152	165-035	2
WS4273	WIPER ARM - LHD	BN2-BT7	WSN153	164-990	2
WS4274	WIPER ARM - RHD	BJ7-BJ8	WSN154	.	2
WS4275	WIPER ARM - LHD	BJ7-BJ8	WSN155	164-950	2
WS4280	WIPER BLADE	BN1-BT7	WSN159	164-980	2
WS4281	WIPER BLADE	BJ7-BJ8	WSN160	560-390	2
WS4290	WIPER NUT - CHROME	BN1	WSN162	554-135	2
WS4291	WIPER NUT - CHROME	BN2-BJ8	WSN163	311-065	2
WS4300	ESCUTCHEON - CHROME (WIPER)	BN1	WSN163A	568-065	2
WS4301	ESCUTCHEON - CHROME (WIPER)	BN2-BJ8	WSN164	145-290	2
WS4310	SEAL - RUBBER (FOR ESCUTCHEON)	BN2-BJ8	WSN165	282-820	2
WS4320	WHEEL BOX - WIPER (WITH NUT)	BN1	WSN166	.	2
WS4330	WHEEL BOX - WIPER (WITH NUT)	BN2-BJ8	WSN167	145-217	2
WS4340	WIPER RACK	BN2-BJ8	WSN169	161-310	1
WS4350	WIPER MOTOR - EXCHANGE ONLY	BN1	WSN171	546-030	1
WS4351	WIPER MOTOR - OUTRIGHT (LESS GEAR ASSY)	BN2-BJ7 (DR2)	WSN171A	568-010	1
WS4352	WIPER MOTOR - OUTRIGHT (LESS GEAR ASSY)	BJ8 (DR3A)	WSN172	568-028	1
WS4360	SHAFT & GEAR - WIPER MOTOR	BN2-BJ7	WSN173	.	1
WS4361	SHAFT & GEAR - WIPER MOTOR	BJ8	WSN174	560-360	1
WS4370	CARBON BRUSH - PR (WIPER MOTOR) BRUSH ONLY	BN2-BJ8	WSN175	554-030	1
WS4380	NUT & UNION ASSY. - WIPER CASING	BN2-BJ8	.	.	1
WS4400	MOUNTING KIT - WIPER MOTOR	BN2-BJ8	WSN178	145-637	1
WS4410	WASHER BOTTLE - WINDSCREEN (LESS CAP)	BN4-BJ7	WSN179	361-125	1
WS4420	WASHER BOTTLE - WINDSCREEN (INCLUDES CAP)	BJ8	WSN180	361-148	1
WS4430	BOTTLE TOP	BJ8	WSN181	361-140	1
WS4431	BRACKET - WASHER BOTTLE	BN4-BJ7	WSN181A	565-005	1





PART	DESCRIPTION	APP	AF	ALT	QPV	
WS4440	BRACKET - WASHER BOTTLE	BJ8	WSN182	361-245	1	
WS4470	JET - WINDSCREEN WASHER	BN6-BJ8	WSN185	361-240	2	
WS4475	WASHER JET - TWIN	BN1- BN4			1	
WS4480	TUBING - WINDSCREEN WASHER (PER METRE)	BN1-BJ8	WSN186	361-210	As Req	
WS4490	T PIECE - WINDSCREEN WASHER	BN1-BJ8	WSN187	565-040	1	
WS4500	PUMP - WINDSCREEN WASHER (LESS KNOB & CUP)	BN4-BJ7	WSN188		1	
WS4510	PUMP - WINDSCREEN WASHER	BJ8	WSN189	565-170	1	
WS4520	KNOB - SCREEN WASHER PUMP	BN4-BJ7	WSN190	150-889	1	
WS4530	NON RETURN VALVE - IN LINE	BN1-BJ8	WSN191	361-145	1	
WS4540	TUBING - WASHER JETS TO T PIECE (PER METRE)	BN1-BJ8	WSN192	361-220	1	
WS4550	CUP ASSEMBLY - WASHER PUMP	BN4-BJ7	WSN193		1	
WS4580	DOOR GLASS - RH	BJ7-BJ8	WSN200	021-861	1	
WS4581	DOOR GLASS - LH	BJ7-BJ8	WSN201	021-860	1	
WS4610	GLAZING RUBBER - QUARTER LIGHT	BJ7-BJ8	WSN209	680-667	2	
WS4620	GLASS - QUARTER LIGHT (RH)	BJ7-BJ8	WSN210	021-875	1	
WS4621	GLASS - QUARTER LIGHT (LH)	BJ7-BJ8	WSN211	021-865	1	





PART	DESCRIPTION	APP	AF	ALT	QPV	
WG4010	FRONT WING FLASH - RH	BN1-BJ8	WNG101	601-270	1	
WG4020	FRONT WING FLASH - LH	BN1-BJ8	WNG102	601-260	1	
WG4030	WING BEADING - FRONT	BN1-BJ8	WNG105	021-810	2	
WG4040	WING BEADING - REAR	BN1-BJ8	WNG106	.	2	
WG4050	WING BEADING - ABOVE SIDELAMP	BN1-BJ8	WNG107	031-362	2	
WG4060	WING BEADING - BELOW SIDELAMP	BN1-BJ8	WNG108	806-070	2	
WG4070	BOLT KIT - FRONT WING (PER WING)	BN1-BJ8	WNG110	321-868	2	
WG4071	BOLT KIT - REAR WING (PER WING)	BN1-BJ8	WNG111	321-818	2	
WG4080	WING BOLT - LONG	BN1-BJ8	WNG112	.	As Req	
WG4090	WING BOLT - SHORT	BN1-BJ8	WNG113	.	As Req	
WG4100	SPEED NUT - LARGE	BN1-BJ8	WNG114	.	As Req	
WG4110	SPEED NUT - SMALL	BN1-BJ8	WNG115	.	As Req	
WG4120	D WASHER - FOR WING BOLT	BN1-BJ8	WNG116	.	As Req	
WG4130	ANTI-CORROSION JOINT STRIP	BN1-BJ8	WNG120	.	1	

